

Size: 11.75" x 8.25"
Color: Black

ZAG
HEROZI
Miraculous™
Ladybug
Secret Communicator

Battery Instructions:

- Non-rechargeable batteries are not to be recharged.
- Different types of batteries or new and used batteries are not to be mixed.
- Only batteries of the same or equivalent type as recommended are to be used.
- Batteries are to be inserted with the correct + and - polarity.
- Exhausted batteries are to be removed from the toy.
- The supply terminals are not to be short-circuited.
- Batteries are to be removed from the toys when not in use.
- Do not dispose of batteries in fire.
- Do not use rechargeable batteries.
- For electric toys using rechargeable batteries, the batteries should be charged under adult supervision.
- Batteries are only to be charged by persons of at least 8 years old.

Adult supervision is required to replace batteries.

Warning: Dispose of used batteries immediately. Keep new and used batteries away from children. If you think batteries might have been swallowed or placed inside any part of the body, seek immediate medical attention.

Batteries Regulation: Do not mix old and new batteries. Do not mix alkaline, standard (carbon-zinc), or rechargeable batteries.

This device complies with Part 15 of the FCC Rules. Operation is subject to the following two conditions: (1) this device may not cause harmful interference, and (2) this device must accept any interference received, including interference that may cause undesired operation. Under the environment with severe electrostatic discharge, the product may malfunction and requires user reset.

Warning: Changes or modifications to this unit not expressly approved by the party responsible for compliance could void the user's authority to operate the equipment.

NOTE: This equipment has been tested and found to comply with the limits for a Class B digital device, pursuant to Part 15 of the FCC Rules. These limits are designed to provide reasonable protection against harmful interference in a residential installation. This equipment generates, uses, and can radiate radio frequency energy and, if not installed and used in accordance with the instructions, may cause harmful interference to radio communications. However, there is no guarantee that interference will not occur in a particular installation. If this equipment does cause harmful interference to radio or television reception, which can be determined by turning the equipment off and on, the user is encouraged to try to correct the interference by one or more of the following measures:

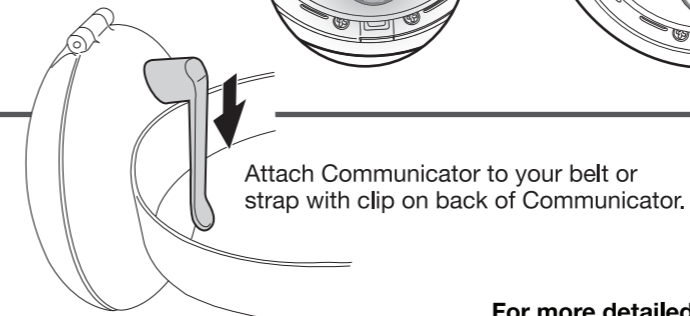
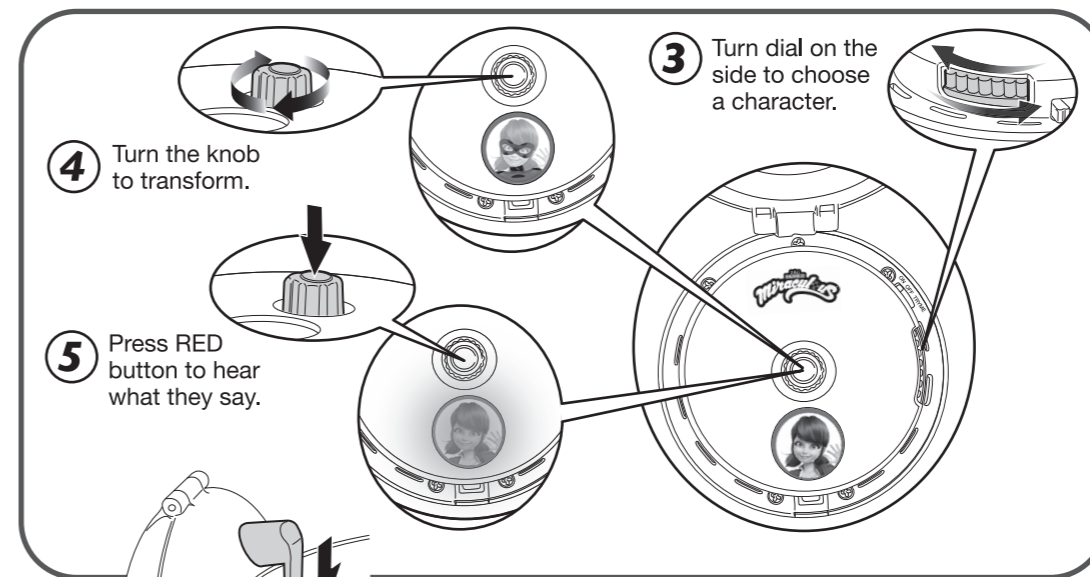
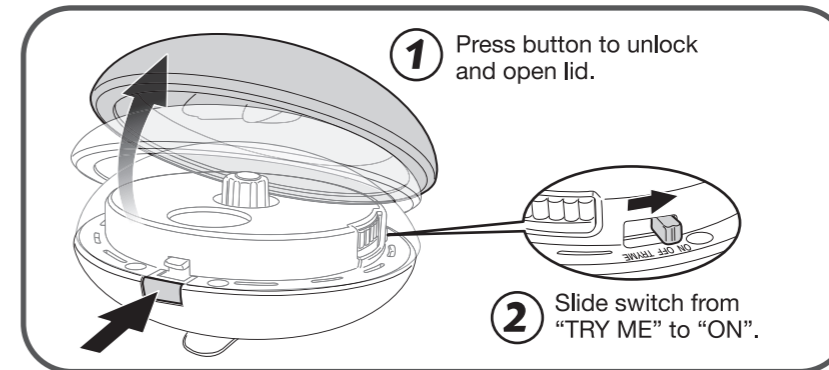
- Reorient or relocate the receiving antenna.
- Increase the separation between the equipment and receiver.
- Connect the equipment into an outlet on a circuit different from that to which the receiver is connected.
- Consult the dealer or an experienced radio TV technician for help.

If your Communicator does not work, try resetting.

To Reset:
Slide the switch to "OFF", then slide the switch to the "ON" mode. If Communicator is not working, try replacing the batteries.

To change batteries:

- Unscrew battery cap.
- Take out old batteries and replace with 3x LR44 batteries.
- Replace battery cap.



For more detailed instruction information visit www.Playmatestoy.com

WARNING: CHOKING HAZARD - Small parts. Not for Children under 3 years.

Distributor - US Market Only	Playmates Toys Inc. 909 N. Pacific Coast Highway, Ste 800 El Segundo, CA 90245 Email: toys@playmatestoy.com
---------------------------------	--

Ages 4 and up
Item #50629

Miraculous™ is a trademark of ZAGTOON - Method.
© 2021 ZAGTOON - METHOD ANIMATION - TOEI ANIMATION - SAMG - SK BROADBAND -
AB INTERNATIONAL - DE AGOSTINI EDITORE S.p.A. ALL RIGHTS RESERVED.
©2021 Playmates. Playmates International Company Ltd.
23/F, The Toy House, 100 Canton Road, TST, Kowloon, Hong Kong. PRINTED IN CHINA.
Please keep all relative information for further reference.

