

### 1. 자재 사양

① 사이즈 150 x 220 mm

② 인쇄도수 표지- 1도 인쇄  
내지- 1도 인쇄

③ 지류 M 메트지 100g

④ 페이지 104페이지(표지포함)

⑤ 제본 무선제본

⑥ 후가공 없음

### 3. 제작 및 수정일자

- 2024.07.03\_V.02
- 2024.12.13\_V.03

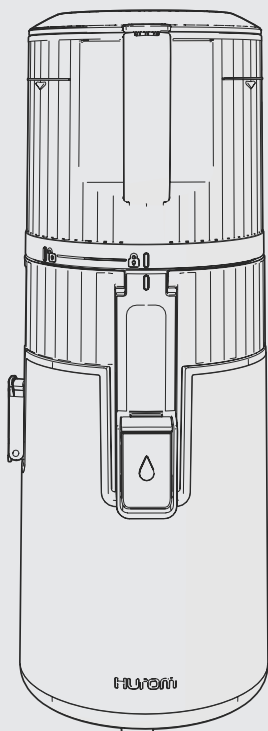
### 4. 수정사항

- 해당없음
- 제품무게 5.4kg 수정 / 휴롬 tm 마크삭제
- 러시아어 삭제/체코어 추가/정회전이미지 변경

### 2. 기재 언어

영문,독일어,프랑스어,스페인어,  
이태리어,폴란드어,체코어

\* 발주용 인쇄 시 필히 본 페이지(시방서) 삭제 후 진행하세요. 본 파일은 시방과 인쇄파일을 포함합니다. 유관의 부서와 업체의 견적 / 사양 / 발주 인쇄 진행 / 품질검사 외에는 사용을 금합니다.



p03 English

p18 Deutsch

p32 Français

p48 Español

p62 Italiano

p76 Polski

p90 Český

# HUROM

**P.03-P.17 English**

**Instruction Manual | H70FT Series**

[ Home use only / Warranty not included ]

**P.18-P.31 Deutsch**

**Bedienungsanleitung | Serie H70FT**

[ Nur zum Haushaltsgebrauch / Garantie nicht enthalten ]

**P.32-P.47 Français**

**Mode d'emploi | Série H70FT**

[ Utilisation domestique uniquement / Garantie non incluse ]

**P.48-P.61 Español**

**Manual de instrucciones | Serie H70FT**

[ Solo para uso doméstico / Garantía no incluida ]

**P.62-P.75 Italiano**

**Manuale di istruzioni | Serie H70FT**

[ Solo per uso domestico / Garanzia non inclusa ]

**P.76-P.89 Polski**

**Instrukcja użytkowania | Seria H70FT**

[ Tylko do użytku domowego / Gwarancja nie jest wliczona w cenę ]

**P.90-P.103 Česky**

**Návod k použití | Řada H70FT**

[ Pouze pro domácí použití / záruka není zahrnuta ]

# IMPORTANT SAFEGUARDS

WHEN USING ELECTRICAL APPLIANCES, BASIC SAFETY PRECAUTIONS SHOULD ALWAYS BE FOLLOWED INCLUDING THE FOLLOWING:

- 1. WHEN USING ELECTRICAL APPLIANCES, BASIC SAFETY PRECAUTIONS SHOULD ALWAYS BE FOLLOWED. READ ALL INSTRUCTIONS.**
- 2. TO PROTECT AGAINST RISK OF ELECTRICAL SHOCK, DO NOT PUT THE MAIN BODY (MOTOR) IN WATER OR ANY OTHER LIQUID.**
- 3. THIS APPLIANCE IS NOT INTENDED FOR USE BY PERSONS (INCLUDING CHILDREN) WITH REDUCED PHYSICAL, SENSORY, OR MENTAL CAPABILITIES, OR LACK OF EXPERIENCE AND KNOWLEDGE, UNLESS THEY ARE CLOSELY SUPERVISED AND INSTRUCTED CONCERNING USE OF THE APPLIANCE BY A PERSON RESPONSIBLE FOR THEIR SAFETY. CLOSE SUPERVISION IS NECESSARY WHEN ANY APPLIANCE IS USED BY OR NEAR CHILDREN. CHILDREN SHOULD BE SUPERVISED TO ENSURE THAT THEY DO NOT PLAY WITH THE APPLIANCE.**
- 4. TURN THE APPLIANCE OFF, THEN UNPLUG FROM THE OUTLET WHEN NOT IN USE, BEFORE ASSEMBLING OR DISASSEMBLING PARTS AND BEFORE CLEANING. TO UNPLUG, GRASP THE PLUG AND PULL FROM THE OUTLET. NEVER PULL FROM THE POWER CORD.**
- 5. AVOID CONTACTING MOVING PARTS. DO NOT ATTEMPT TO DEFEAT ANY SAFETY INTERLOCK MECHANISMS.**
- 6. DO NOT OPERATE ANY APPLIANCE WITH A DAMAGED CORD OR PLUG, OR AFTER THE APPLIANCE MALFUNCTIONS, OR IS DROPPED OR DAMAGED IN ANY MANNER. RETURN APPLIANCE TO THE NEAREST AUTHORIZED SERVICE FACILITY FOR EXAMINATION, REPAIR OR ELECTRICAL OR MECHANICAL ADJUSTMENT.**
- 7. THE USE OF ATTACHMENTS NOT RECOMMENDED OR SOLD BY THE MANUFACTURER MAY CAUSE FIRE, ELECTRIC SHOCK OR INJURY.**
- 8. DO NOT LET CORD HANG OVER EDGE OF TABLE OR COUNTER.**
- 9. ALWAYS MAKE SURE HOPPER IS SECURELY FASTENED IN PLACE BEFORE MOTOR IS TURNED ON. DO NOT UNFASTEN HOPPER WHILE JUICER IS IN OPERATION.**
- 10. BE SURE TO TURN SWITCH TO OFF POSITION AFTER EACH USE OF YOUR JUICER. MAKE SURE THE MOTOR STOPS COMPLETELY BEFORE DISASSEMBLING.**
- 11. DO NOT PUT YOUR FINGERS OR OTHER OBJECTS INTO THE JUICER WHILE IT IS IN OPERATION. IF FOOD BECOMES LODGED IN OPENING, USE FOOD PUSHER OR ANOTHER PIECE OF FRUIT OR VEGETABLE TO PUSH IT DOWN. WHEN THIS METHOD IS NOT POSSIBLE, TURN THE MOTOR OFF AND DISASSEMBLE JUICER TO REMOVE THE REMAINING FOOD.**
- 12. DO NOT USE OUTDOORS.**
- 13. DO NOT PLACE ON OR NEAR A HOT GAS OR ELECTRIC BURNER OR IN A HEATED OVEN.**
- 14. DO NOT USE APPLIANCE FOR OTHER THAN INTENDED USE.**

English

## SAVE THESE INSTRUCTIONS

## CONTENTS


- p.04 1. Precautions for Safe Use
- p.05 2. Precautions During Use
- p.06 3. Power Switch Guide /
  - 4. Precautions Before Juicing
- p.08 5. Components
- p.10 6. How to Assemble
- p.12 7. Assembly and Disassembly of Silicone
- p.14 8. How to Use
- p.15 9. When Multi-screw Stops During Use
- p.16 10. How to Disassemble and Clean
- p.17 11. Before Requesting Repair

## Before Reading Manual

1. Read 'Precautions for Safe Use' (p. 03~05) and use the appliance properly.
2. After reading the manual, keep it in a convenient location for future reference.
3. Do not use it abroad which has different power supply and voltage.
4. Any quality improvements is subject to change without notice.

### 1. Precautions for Safe Use

- 01 You should read <Safety Precautions>
- 02 You should follow <Safety Precautions>
- 03 Precautions are classified as follows.

 **Warning** A violation of any of the warning marks may cause a serious injury or death.


- **Do not insert or pull the power cord with wet hands.**
- **Use the right voltage only as specified on the warranty card and the product specifications. Failure to follow this instruction may result in electric shock, fire, or performance impairment.** Connecting to a different voltage may shorten the motor's lifespan or cause malfunction.
- **Securely insert the power cord plug all the way into an outlet.**
- **Do not bend, tie, damage or pull the power cord by force, or place it near a high temperature or heat such as a gas stove. Also, do not place any heavy object on top of the product, wedge it into a narrow space, or alter it.**

- **Do not remodel it under any circumstances.** Also, do not attempt to dismantle or repair it yourself.
- **Do not insert any foreign objects such as a finger or iron pin into any crack or hole in the product body.** It may cause a fire, electric shock, injury and/or malfunction. For after-sales service and maintenance of a product, contact the HURUM Customer Service Center.
- **When the power plug is damaged, do not repair or remodel it yourself and, instead, visit an after-sales service center or branch store.**
- **Do not get wet or splash water on the product body.** Make sure that no water or foreign material goes into the product's power switch.
- **Do not control the power switch with wet hands.**
- **For safety, ground the power outlet at all times.** Also, do not ground it to a gas pipe, plastic water pipe, or telephone line. Make sure to use a grounded outlet.
- **Do not attempt to dismantle any parts of the chamber set or insert foreign objects such as a finger or spoon into the inlet or juice outlet during operation.**

• **Do not use it within children's reach. Children should be carefully supervised so that they do not play with this device.** There is a risk of an injury or malfunction if children accidentally hit and knock it down.

• **A person who is not familiar with handling the product should not use it him/herself.** Anyone with physical or mental problems or who lacks experience and knowledge should not use it without a supervisor present.

• **Do not use the product while wearing or holding any items with magnetic force (e.g. magnetic bracelets).** Placing magnetic objects near the product may cause malfunction.

 **Caution** A violation of any of the caution marks may lead to a serious injury or death.

- **Do not operate the product unless the product body set and chamber set are securely connected.**
- **If there is a gas leak, etc., do not touch the power cord but, instead, open the windows and thoroughly ventilate the area.**
- **If the squeezing screw stops spinning during normal operation, press the "REV" button and hold for 3 to 5 seconds to activate reverse rotation. After reverse rotation stops completely, press "ON" button again to resume normal operation.** If the screw continues to stop during the operation, the parts may be damaged or performance may be impaired due to overheating in the motor. When such a problem continues, stop using the product and contact our local customer service center.
- **Do not move the product body, or disassemble or assemble the chamber set or parts during operation.** Make sure to stop the operation and pull out the power cord beforehand.

- **When using the product, be careful so that a tie, long necklace, scarf, etc. doesn't get into the inlet.**
- **Place this product on an even and stable surface for use.**
- **When inserting ingredients into the inlet, do not use a chopstick, spoon, any hard object or anything other than the pusher.**
- **Do not use the product for more than 30 minutes continuously each time.** It may overheat the motor to cause malfunction. To operate it again, completely stop the device for about 5 minutes before use.
- **Do not exert any excessive shock to or drop the product.**
- **If the device produces any unusual sounds, excessive heat or smoke, stop using it immediately and contact the Customer Service Center.** The smell experienced when using a new product will naturally go away over time.
- **Pull the power cord plug from the outlet when it is not in use.** Also, when pulling the power cord, make sure to grab the plug to pull it.
- **Do not clean the product at a temperature of 80°C or higher.** Do not place it in a dishwasher, dryer, microwave, etc. It may cause malfunction and/or deformation of parts.
- **The product weighs approximately 5.4 kg. When moving the product, make sure to securely hold the product body with both hands.** If you move it by holding just the chamber or the sides of the product body, the body may fall to cause a bodily injury or malfunction.
- **Do not use this household-use product for commercial purposes. Excessive extraction of a large amount of ingredients may cause damage to the parts.** In case it is to be used for commercial purposes, please contact the Customer Service Center on the method of use.



## 2. Precautions During Use

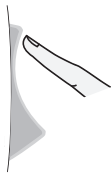
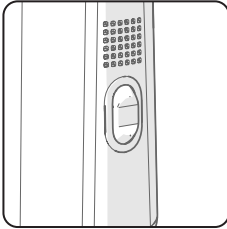
- **Make sure to thoroughly understand how to prepare ingredients and prepare them properly before inserting them.**
  - Poorly prepared ingredients may hinder the extraction process and/or cause damage to the product.
- **Ingredients in need of extra care**
  - When using soft ingredients alone such as bananas, ripened kiwi and tomatoes, the juice may stagnate inside the chamber, which can make juicing difficult. Please add other ingredients that are not too soft.
  - When inserting walnuts, peanuts, almonds, sunflower seeds, pine nuts, beans, etc., add only a small amount or add them with other ingredients after soaking them in water.
- **Ingredients unable to be juiced**
  - Do not insert ingredients that cannot be juiced such as sesame seeds, coffee beans, Chinese peppers, tree

- barks and pine needles. Do not insert mudfish, eels, shrimp, marsh snails, squids, etc.
- Do not insert fruits soaked in alcohol, honey or sugar (grapes, raspberries, mulberries, etc.) and enzymes (glasswort, rock pine enzymes, etc.).
- Do not insert ingredients whose attributes make them difficult to be juiced such as silverberries, aloe, cactus, quince, yams, kudzu root, sugar cane, acorn and dandelions.
- Do not insert boiled ingredients such as boiled potatoes and sweet potatoes.
- Do not insert ice made by freezing water.
- **It is recommended that you consume extracted vegetable juice immediately, if possible, and do not refrigerate it for a long period of time.**
- **Do not use this product for pulverizing grains. It may cause damage or malfunction.**
- **Do not re-extract juice from pulp that has already been juiced.**
- **Do not conduct any idle run of the product before inserting any ingredients.**
- **Do not insert ingredients into the hopper above the guided limit mark.**
- **Do not use it for more than 30 minutes continuously.**
  - It may overheat the motor to cause malfunction. However, when using it continuously, pause the operation and use it after a break of over 5 minutes.
- **Do not insert a chopstick or spoon into the juice/pulp outlet during operation.**
- **When inserting ingredients, do not use anything other than the pusher.** It may damage the parts or cause a bodily injury and/or malfunction.
- **Do not operate the power switch with wet hands.**
  - It may cause electric shock, short circuit and/or fire. Do not get foreign substances on or near the power switch.
- **Use it with the juice cap open.**
  - The juice can flow backwards into the hopper if the juice cap is closed while juicing.
- **Do not use when there is a large amount of water or vegetable juice in the upper section of the body.**
- **To ensure smooth extraction of large volumes multiple times, it is important to regularly empty the pulp cup.**
  - If the pulp cup is not emptied, it may be pushed out or the product operation may stop.
  - Pulp may drip onto the body when detaching the chamber after juicing is complete.

### Note

1. Withered ingredients, which have been stored for a long time in the refrigerator, or frozen fruits may produce only a small amount of juice or none at all.
2. If the product is not cleaned immediately after use, the pulp may dry up, which makes it difficult to disassemble and clean it and also cause performance impairment. So, if possible, clean it immediately after use.

Press and hold the switch for the product operations.



[ON] : ON - Starts the motor and makes juice.



[●] : Stop - Press it to stop the operation of the product.



[REV] : REV - Press when the production halts while in use due to material overload. ※ The appliance works only when the button is pressed, and it stops when the button is released.

※ If you have an allergy, make sure to select proper ingredients for your body when preparing the ingredients.

※ For the method of and notes on using the device for each ingredient, please refer to the recipe book.

※ Prepare ingredients in sizes able to be inserted into the hopper. If you want to juice a large volume or perform fast juicing, cut the ingredients into smaller pieces before inserting them. For about 1 kg, repeat the "disassemble and clean after juicing" step for use.

※ Do not insert ingredients into the hopper above the guided limit mark.

※ When juicing soft fruits, the juice of the ingredients may stagnate inside the chamber.

※ When juicing fibrous fruits and vegetables, the juice may thicken.

※ Inserting the following ingredients, which are impossible to be juiced, may lead to damage or malfunction.

- Ingredients that cannot be juiced such as sesame seeds, coffee beans, Chinese peppers, tree barks and pine needles, as well as mudfish, eels, shrimp, marsh snails, squids, etc.

- Fruits soaked in alcohol, honey or sugar (grapes, raspberries, mulberries, etc.) and enzymes (glasswort, rock pine enzymes, etc.)

- Ingredients whose attributes make them difficult to be juiced such as silverberries, aloe, cactus, quince, bananas, yams, kudzu root, sugar cane, acorns and dandelions

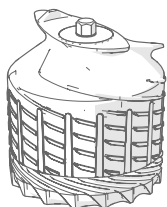
- Boiled ingredients such as boiled potatoes and sweet potatoes

- Ice made by freezing water

※ Do not use it for pulverizing grains.

※ Refer to the instructions in <Precautions During Operation> (refer to p. 5).

## 4-1. Multi-screw



- As certain ingredients need extra care during preparation, please refer to the following instructions on how to prepare the ingredients.
- When juicing several times or in bulk, make sure to cut ingredients into small pieces, and then repeat the "disassemble and clean after juicing" step.
- For faster juicing, mince the ingredients into fine pieces.

### Citrus fruits

#### Grapefruit, oranges, lemons, etc.

Prepare the ingredients by peeling and cutting them into smaller pieces to fit in the hopper inlet. Remove all hard, unchewable seeds before insertion.

### Fruits with thick peel

#### Pineapples, dragon fruit, melons, watermelons, pomegranate, etc.

Prepare the ingredients by peeling and cutting them into smaller pieces to fit in the hopper inlet. Remove all hard, unchewable seeds before insertion.

### Seeded fruits

#### Grapes, apples, peaches, persimmons, plums, cherries, pears, Korean melons, etc.

For ingredients containing hard, unchewable seeds or large-sized seeds such as those in peaches, make sure to remove the seeds first and cut and prepare only the flesh. Hard seeds may stop the operation or damage the parts. Apple seeds contain toxicity so remove them as much as possible. For grapes, pluck each grape from the bunch after cleaning them thoroughly. Do not extract only the ingredients that are too soft; instead, mix them with other fruits and vegetables.

### Soft fruits

#### Single extraction (berries, cherry tomatoes, pineapples, etc.)

※ Thoroughly clean and cut the ingredients into small pieces that can fit in the hopper inlet. For fruits and vegetables with stalks, remove the stalks first.

#### Mixed extraction (strawberries, kiwi, bananas, tomatoes, mangoes, etc.)

※ For dry and viscous ingredients, mix them with other ingredients for extraction. Remove the peel and stalks, and also remove seeds, if there are any.

### Root vegetables

#### Carrots, beets, ginger, sweet potatoes, potatoes, garlic, etc.

Wash the ingredients in running water to remove dirt and other foreign substances. For fibrous ingredients such as ginger, peel the outer skin and cut them into small pieces. For long ingredients, cut them vertically for extraction.

### Leaf and stem vegetables

#### Celery, kale, cabbage, water parsley, wheatgrass, chives, etc.

Cut the ingredients into 3-cm or shorter pieces for extraction. Since leaf and stem vegetables are rough and fibrous, they are not easily juiced and can get caught in the Multi-screw.

- When juicing ingredients other than root, leafy and stem vegetables, the juice may stagnate.

### Frozen fruits

#### Fruits with thick peels, such as watermelons and melons

Peel the outer skin and cut the ingredients into smaller pieces to fit in the hopper inlet before freezing them.

#### Seeded fruits, such as mangoes, peaches and grapes

Use only frozen, seedless fruits. For fruits that have hard, unchewable seeds, such as mangoes, peaches and lemons, make sure to remove the seeds and then freeze them before use. For grapes, freeze the seedless kind for use.

#### Soft fruits and vegetables, such as bananas, strawberries, kiwi and tomatoes)

Peel bananas, kiwi, etc. completely and cut them into pieces that are 3 to 4cm-long that can fit in the inlet before freezing them. For cherry tomatoes, strawberries, etc., remove the stalks and then freeze them.

- It is used to make slushes, smoothies, ice cream, etc. that use frozen fruits.
- Cut the fruits into 2-cm pieces and freeze them before use.
- Never use it for crushing or grinding ice or other ingredients.
- The product may stop if an excessive amount of ingredients or bulky pieces are inserted at once so be sure to insert a small amount at a time (into the additional inlet).

08 5. Components

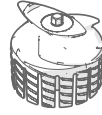
Hopper part

Hopper



Chamber part

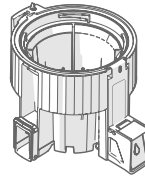
Top part of multi-screw



Bottom part of multi-screw



Chamber

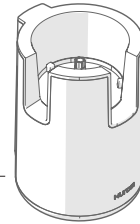


Body part

Power cord



Body



Accessory part

Pulp cup



Cleaning brush



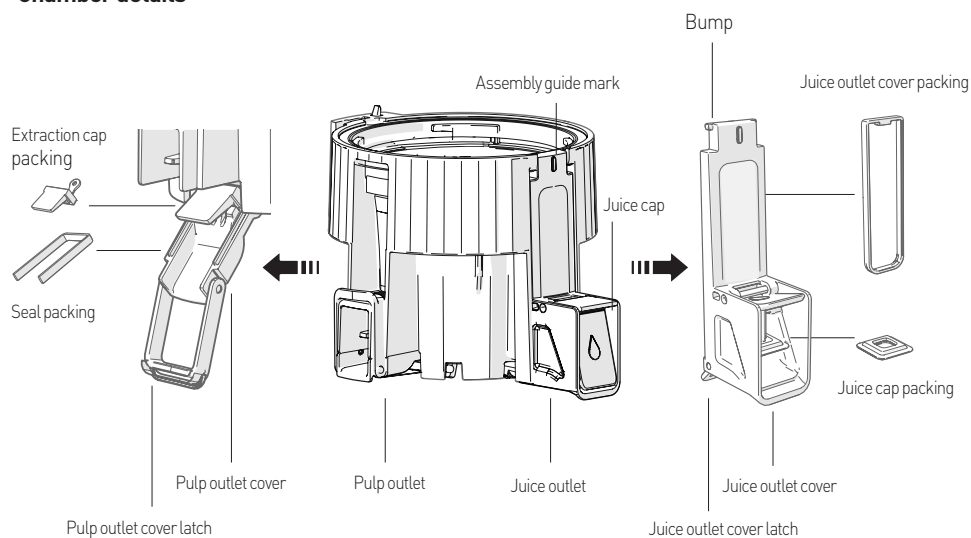
Juice cup



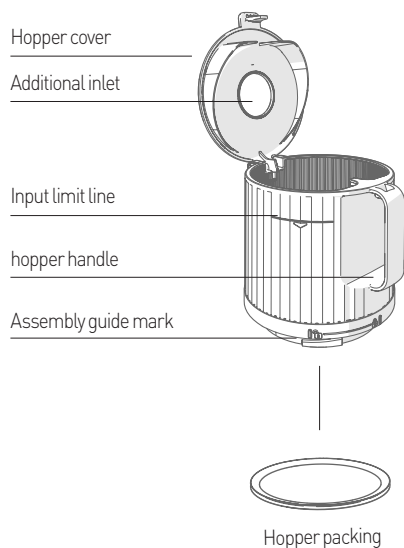
Pusher



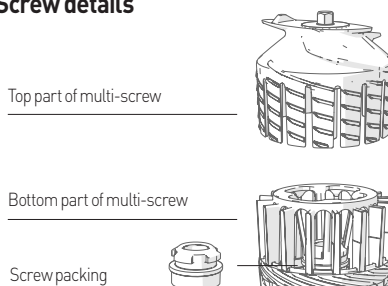
### Chamber details



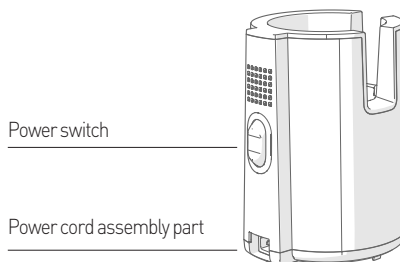
### Hopper details



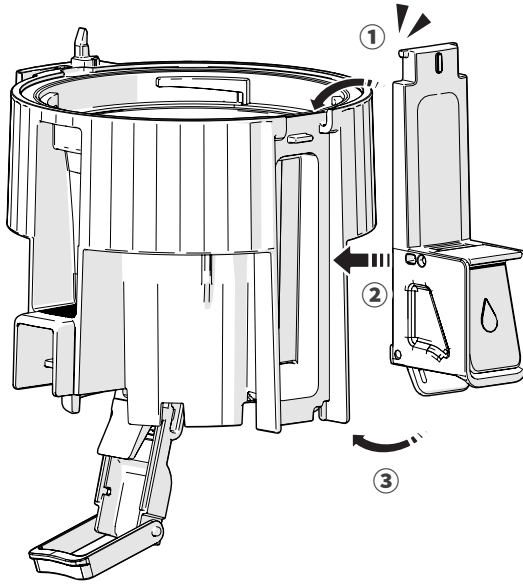
### Screw details



### Body details



## 01 Assemble Juice outlet cover

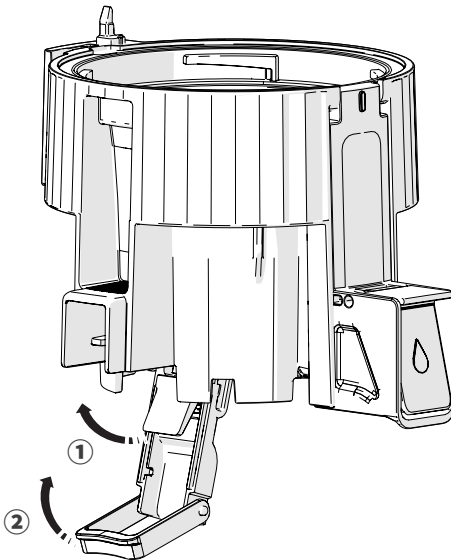


**Hook the juice outlet cover on a groove at the top of the chamber to assemble, and then attach the hook at the bottom part.**

If the packing is incorrectly assembled or the latch is not properly closed, the pulp outlet cover may open or juice may leak during extraction.

※ Check if the juice discharge cover packing and juice cap packing are installed.

## 02 Assemble Pulp outlet cover

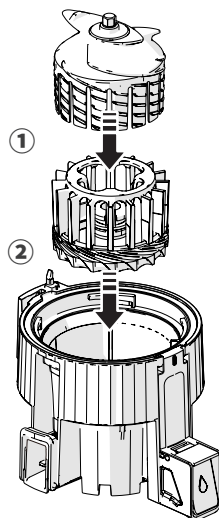


**Close the pulp outlet cover and hook the ring.**

If the packing is incorrectly assembled or the latch is not properly closed, the pulp outlet cover may open or juice may leak during extraction.

※ Check if the extraction packing and seal packing are installed.

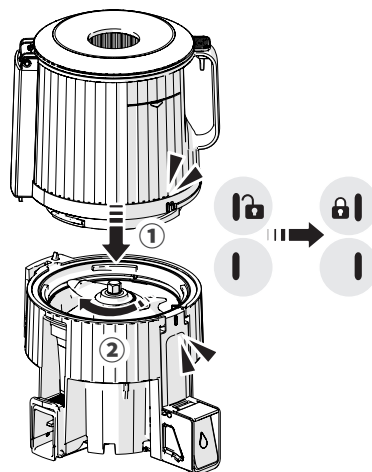
### 03 Assembling multi-screw



Place the assembled multi-screw inside the chamber and turn it clockwise.

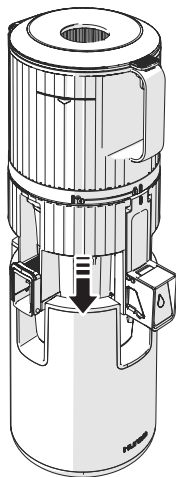
If the parts inside the chamber are not correctly assembled, the product might not work properly.

### 04 Assembling hopper



Align the marks on the chamber and hopper to assemble, and then rotate it clockwise to assemble it completely.

### 05 Assembling body



Position the appropriately assembled chamber set onto the body.

#### Note

Lower the hopper cover to close it until a click sound is heard.

If the hopper cover is not properly closed, the product may not work correctly.

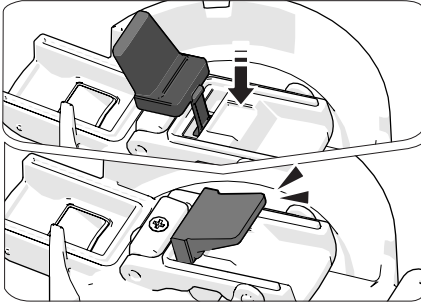
**-Instead of assembling it on the body, assemble the chamber set separately first and then place the entire set on top of the body.**

If it is not assembled exactly as the assembly guide, it may be difficult to assemble it correctly.

## 12 7. Assembly and Disassembly of Silicone

※ Silicone packings are consumables that are recommended to be replaced once every 6 to 12 months. They are available for purchase through the Customer Service Center.  
(The juicer may leak if the product is not assembled properly.)

### Extraction Packing



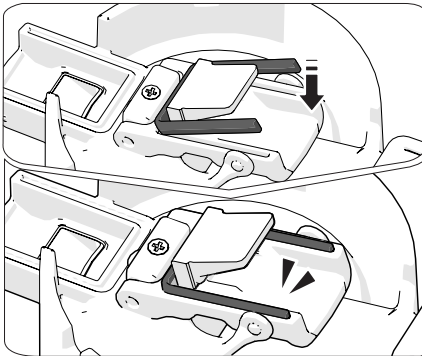
#### Disassembly

Hold and take out the packing as if you are pulling it back. There is a ring on the packing so it won't be disassembled completely.

#### Assembly

After cleaning, insert the convex part of the packing as if you are hooking it and then press it down.

### Seal Packing



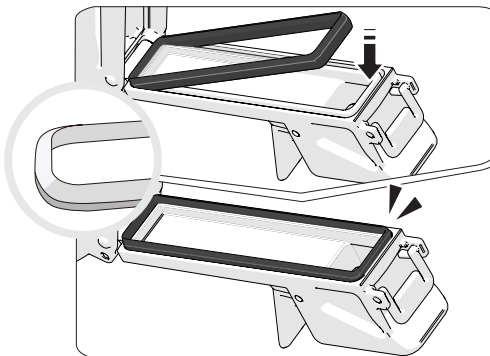
#### Disassembly

Hold and take out the packing as if you are pulling it back.

#### Assembly

After cleaning, insert one side of the packing first as if you are hooking it. Insert the remaining part and press down the perimeter.

### Juice outlet cover packing



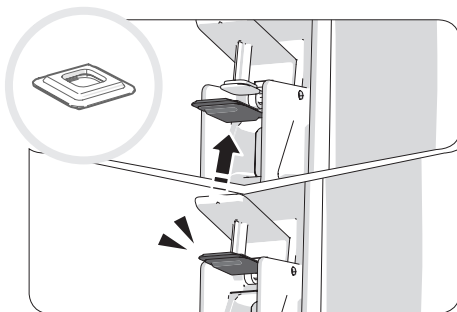
#### Disassembly

Hold and take out the packing as if you are pulling it back.

#### Assembly

After cleaning, ensure that the sloped surface of the packing is facing outward before inserting and pressing it down.

### Juice Cap Packing



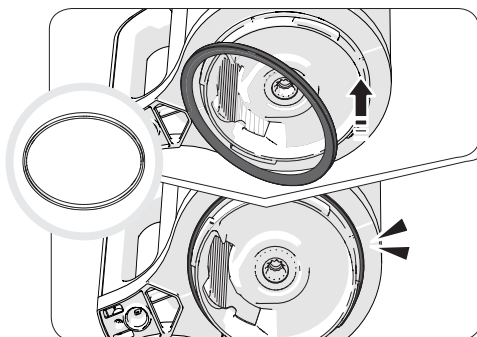
#### Disassembly

Hold and take out the packing as if you are pulling it back.

#### Assembly

After cleaning, insert one side of the packing first as if you are hooking it. Insert the remaining part and press down the perimeter.

### Hopper Packing



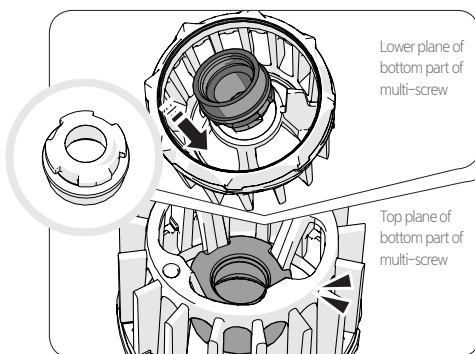
#### Disassembly

Hold and take out the packing as if you are pulling it back.

#### Assembly

After cleaning, insert one side of the packing first as if you are hooking it. Insert the remaining part and press down the perimeter.

### Screw Packing

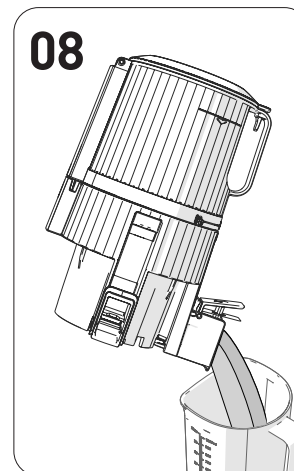
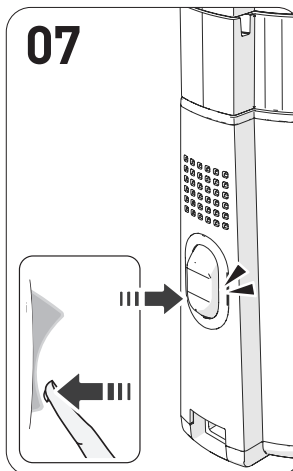
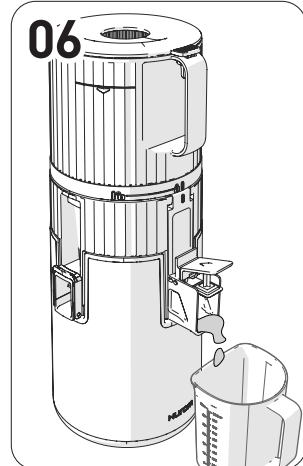
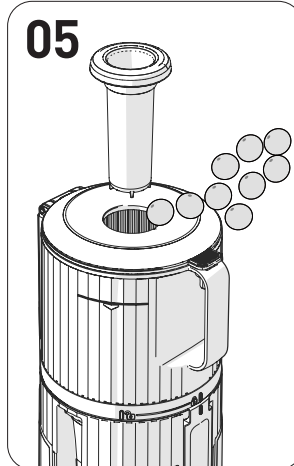
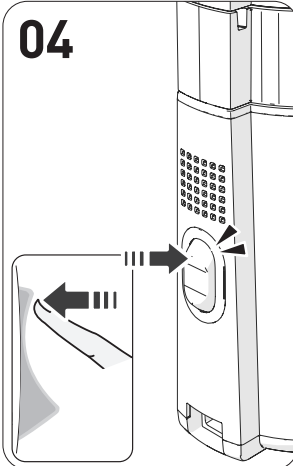
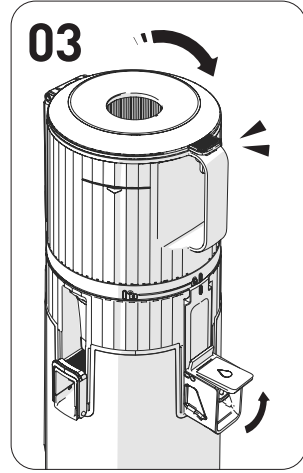
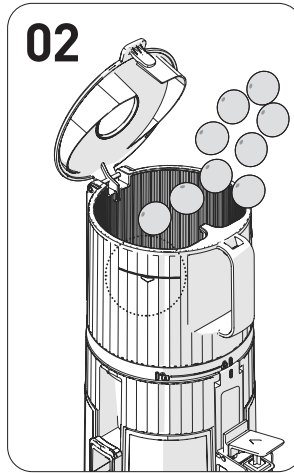
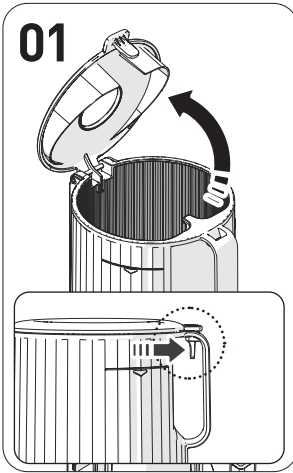


#### Disassembly

Pull one side to take it out below.

#### Assembly

After cleaning, check the direction and insert it at the bottom part of the multi-screw as if you are hooking one side. Insert the packing and press it down so that there are no folded parts.



### 01 Open the hopper cover.

- ① Pull the hopper cover lever to open it. Inserting an excessive amount of ingredients may exert severe pressure on the product.

### 02 Add ingredients only up to the limit mark of the hopper.

- ① For soft ingredients, mixing them with other ingredients for extraction.

### 03 Close the hopper cover and keep the juice cap open.

- ① Before pressing the ON button, put the juice container in place.
- ② The juice may flow backwards into the hopper if the juice cap is closed during extraction. If the juice does not come out even after opening the juice cap, open the hopper cover and empty out the contents.

### 04 Press the power switch briefly to start operation.

- ① The "click" sound during the operation of the product is the sound of the chamber set and the motor being locked together.

### 05 To add more ingredients during operation, use the additional inlet or open the hopper cover.

- ① When the hopper cover is opened, the operation stops.
- ② Do not use anything other than the designated pusher.
- ③ In case the Multi-screw spins but the ingredients fail to be ground in the hopper during extraction, use the pusher to press the ingredients down.

### 06 Let the machine operate for about 1 more minute after all ingredients go down in the hopper.

- ① It slowly presses and squeezes the ingredients so it takes some time until the last ingredient is juiced.
- ② Removing the remaining pulp by additionally operating the machine after extraction makes it more convenient to detach the hopper and clean the parts.
- ③ It is easy to remove residual pulp when repeatedly operating reverse and normal rotations.

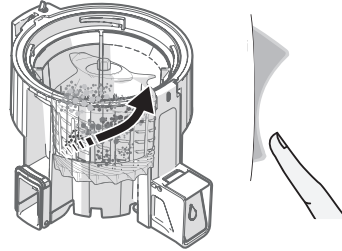
### 07 Once the juicing and pulp removal are finished, press the power switch to stop the machine.

- ① The machine stops 3 seconds after it is stopped by the power switch.

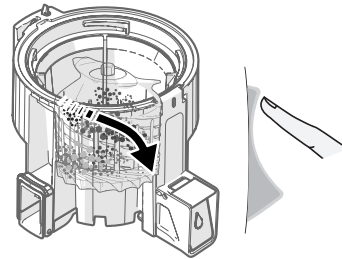
### 08 Pour any remaining juice by tilting the chamber forward.

- ① For thickly concentrated juice made of tomatoes, etc., the juice may still remain in the chamber.
- ② When detaching the chamber, pulp may drip from the product body depending on the ingredients being juiced.

01



02



### 01 Press and hold [REV] button for 3 to 5 seconds and release the button 2 to 3 times.

[REV] button pushes the ingredients back up to dislodge. Reverse rotation continues only when the button is pressed while the screw stops when the button is released.

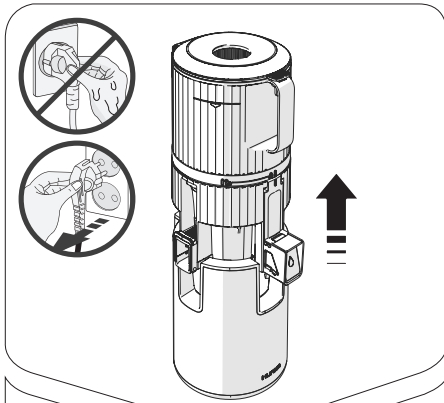
### 02 After reverse rotation stops completely, press the [ON] button to run operation.

When pressing the [ON/Extract] or [REV/Reverse] button, make sure to press it after the screw stops moving completely.

#### Note

If the machine does not work even after following the above steps, pull the power cord plug from the outlet, detach the chamber set, wash it and use it again. Due to its characteristics, the motor will not stop at once but, instead, continue to spin slowly in the direction of operation before coming to a complete stop.

## 16 10. How to Disassemble and Clean



**\* After the product stops operating, pull the power cord plug with dry hands. The motor inside the body needs a couple of seconds to stop spinning completely even after the operation stops. Wait for about 3 seconds before detaching the chamber set.**

**01** Detach the chamber set from the product body. Turn the hopper to open it and then sequentially pull each of the parts to disassemble them.

**02** Wash the parts with a cleaning brush under running water.

**03** To clean the chamber, first separate the juice outlet cover, and then open the pulp outlet cover and juice cap for thorough cleaning.

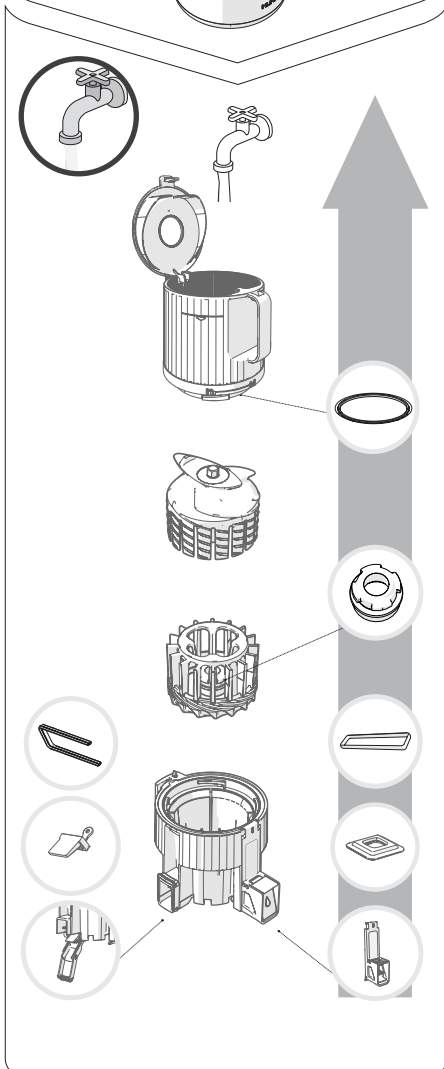
**04** Wipe the product body with a damp towel or soft cloth.

**05** Detach and wash silicone packings after use.  
- Residue may still be stuck.

(Hopper packing, juice cap packing, extraction packing, seal packing, Screw Packing, juice outlet cover packing)

**06** You can sterilize the parts by soaking them in warm water diluted with baking soda, citric acid or vinegar.

**\* Failure to clean the product immediately after use may cause its stainless steel parts and other parts to corrode or become discolored due to salt and pulp from the ingredients. Also, contaminants may be dried up and stuck inside, which makes it difficult to disassemble and clean them and may also cause performance impairment. Be sure to clean and air-dry it completely immediately after use and store it in a clean place. For long-term storage, use a cleaning brush to wash it. Do not clean with boiling or high-temperature water or use a cleansing sponge, steel sponge, abrasives and other sharp cleaning tools. Do not place it in a dishwasher or dish dryer.**



## 11. Before Requesting Repair

Check the following before asking for repair. For follow-up service and any inquiry you may have while using the product, please contact our Customer Center, or homepage at <http://www.globalhurom.com> Check the manufacturer's number or the number under the barcode when requesting for follow-up service or parts.

17

English

<p><b>01. When the product starts operating, a "click" sound is heard.</b></p>	<p>It is the sound of the motor being assembled with the Multi-screw. This is not a malfunction.</p>
<p><b>02. The product does not start only with the product body.</b></p>	<p>Check if the chamber set and product body are properly assembled. The product does not operate only with the product body. Make sure to turn the power off before assembling or disassembling the chamber set onto the body.</p>
<p><b>03. The hopper and the chamber do not be assembled.</b></p>	<p>Check if the marks on the sides of a chamber and a hopper are aligned and rotated clockwise for assembly.</p>
<p><b>04. The product does not operate.</b></p>	<p>Check if the power cord is properly plugged. More than 30 minutes of operation may have the product stop for a while until the product body (motor) cools down enough. Restart operation for some minutes later.</p>
<p><b>05. It stops during a normal operation.</b></p>	<p>Check if the hopper is properly assembled. If the hopper is assembled incorrectly, the product will not work. It will operate only when the lock symbol on the chamber and the hopper's assembly guide mark are assembled in a way that they face each other. Check if the product is assembled according to the steps specified in the assembly guide. Refer to the assembly guide page (page 11). <b>Check if an excessive amount of ingredients or extremely thick ingredients are inserted.</b> Refer to Page 15 of the manual to activate a reverse rotation. For safety, a timer is set to stop operation after 5 minutes from the start. Press the switch again to restart operation.</p>
<p><b>06. There are marks that look like scratch on the side or the top of the multi-screw.</b></p>	<p>some of curve-shaped or lined mold marks may be created on the surface of screws during the molding process, which is normal and does not affect the operation at all.</p>
<p><b>07. Juice leaks through the pulp outlet immediately after the ingredients are inserted.</b></p>	<p>Depending on the inserted ingredients, small amounts of juice may leak through the pulp outlet. This is not a product defect but, rather, a phenomenon caused by the characteristics of the ingredients. The leakage will stop once the product starts running. If the leakage continues, contact the Customer Service Center.</p>
<p><b>08. Juice flows back into the hopper.</b></p>	<p>Did you extract juice with the juice cap closed? When juicing with the juice cap closed, the juice may flow backward into the hopper. If the contents are not sufficiently discharged even after opening the juice cap again, open the hopper cover and empty out the contents.</p>
<p><b>09. Juice leaks between the hopper and the chamber, or between the chamber and the product body.</b></p>	<p>Is the hopper packing or Screw packing assembled correctly? The juice will leak if the hopper packing or Screw packing has been assembled upside-down or incompletely. Check if the packing is assembled properly.</p>
<p><b>10. The hopper does not open.</b></p>	<p>There may be excessive pulp remaining inside. Operate the machine for a while to discharge the pulp inside. Or, repeat pressing the reverse button for 10 seconds and releasing it 2 to 3 times. Then, the hopper will open without any issue. <b>Weren't any foreign substances or solid matters (hard seeds such as persimmon seeds) inserted?</b> If any foreign substances or solid matters are inserted, parts may be damaged more seriously when attempting a reverse rotation so contact the Customer Service Center and request for after-sales service.</p>
<p><b>11. The chamber shakes (during juicing).</b></p>	<p>The product may wobble slightly due to the motions of its motor. Depending on the ingredients' characteristics (hard or tough), motions are generated in various magnitudes. This is not a malfunction but, rather, a normal phenomenon observed when the Multi-screw rotates. Compared to soft ingredients with much water content, relatively harder ingredients may seem to produce a greater shaking (e.g., carrots, potatoes, radishes, beet, kohlrabi, etc.)</p>
<p><b>12. An unusual noise is heard while juicing.</b></p>	<p>It is natural for certain extent of sound to occur when ingredients are being crushed. If the ingredients are hard or tough like apples, carrots, cabbage, celery, beets, etc., the extraction noise may be louder compared to juicing sounds of softer ingredients.</p>

## INHALT

- p.18 1. Vorsichtsmaßnahmen zur sicheren Verwendung
- p.19 2. Vorsichtsmaßnahmen während der Verwendung
- p.20 3. Anleitung Netzschalter /
  - 4. Vorsichtsmaßnahmen vor der Entsaftung
- p.22 5. Bestandteile
- p.24 6. Zusammenbau
- p.26 7. Ein- und Ausbau von Silikon
- p.28 8. Verwendung
- p.29 9. Die Universal-Press-Schnecke stoppt beim Gebrauch
- p.30 10. Anleitung zu Ausbau und Reinigung
- p.31 11. Vor Reparaturanfrage

## Vor dem Lesen des Bedienungsanleitung

1. Lesen Sie die „Sicherheitshinweise“ (S. 18–19) und beachten Sie diese bei der Verwendung.
2. Bewahren Sie die Bedienungsanleitung nach dem Lesen zum Nachschlagen an einem leicht zugänglichen Ort auf.
3. Verwenden Sie das Gerät nicht im Ausland mit anderen Steckdosenformaten und Voltzahlen.
4. Alle Qualitätsverbesserungen sind als Änderungen vorbehalten.



### 1. Vorsichtsmaßnahmen zur sicheren Verwendung

- 01 Bitte lesen Sie die <Vorsichtsmaßnahmen zur sicheren Verwendung> durch.
- 02 Befolgen Sie die <Vorsichtsmaßnahmen zur sicheren Verwendung>.
- 03 Es bestehen folgende Vorsichtsmaßnahmen:



**Warnung** Die Nichtbeachtung der Warnhinweise kann zu schweren Verletzungen oder Tod führen.

- **Das Stromkabel nicht mit nassen Händen anfassen.**
- **Ausschließlich die Netzspannung verwenden, die auf dem Garantieschein und den Produktspezifikationen angegeben ist. Es kann sonst zu einem elektrischen Schock, Brand und/oder Verletzungen kommen.** Der Anschluss an eine andere Netzspannung kann die Lebensdauer des Motors reduzieren oder zu Funktionsstörungen führen.
- **Den Netzstecker vollständig in eine Steckdose einführen.**
- **Das Netzkabel nicht biegen, knicken, beschädigen oder gewaltsam herausziehen bzw. in die Nähe von Hitzequellen wie einen Gasherd legen. Auf dem Produkt dürfen keine schweren Objekte abgelegt werden, es darf nicht auf engem Raum eingeklemmt oder verändert werden.**

### •Keinesfalls Änderungen vornehmen.

Das Gerät nie selbst zerlegen oder reparieren.

### •Keine Fremdkörper wie Finger oder Nadeln in Ritzen oder Öffnungen des Produktgehäuses einführen.

Dies kann zu Feuer, einem elektrischen Schlag und/oder Funktionsstörungen führen. Für Kundendienst oder Produktwartung das HURROM Kundendienstzentrum kontaktieren.

### •Einen beschädigten Netzstecker nicht selbst reparieren oder verändern, sondern in ein Kundendienstzentrum oder eine Zweigstelle bringen.

•**Das Produktgehäuse darf nicht nass oder mit Wasser bespritzt werden.** Es ist darauf zu achten, dass weder Wasser noch Fremdkörper in den Netzschalter des Produkts gelangen.

### •Den Schalter nicht mit nassen Händen anfassen.

•**Aus Sicherheitsgründen muss die Netzsteckdose immer geerdet sein.** Sie darf ebenfalls nicht über eine Gasleitung, Kunststoffwasserleitung oder Telefonlinie geerdet sein. Immer eine geerdete Steckdose verwenden.

### •Versuchen Sie nicht, das Hauptbehälter-Set zu zerlegen oder während des Betriebs Fremdkörper wie Finger oder Löffel in die Einfüllöffnung/ den Saftauslass einzuführen.

•**Außerhalb der Reichweite von Kindern verwenden. Kinder sollten beaufsichtigt werden, um sicherzugehen, dass sie nicht mit dem Gerät spielen.**

Es besteht eine Gefahr von Verletzung oder Funktionsstörungen, wenn Kinder das Gerät versehentlich anstoßen oder auf den Boden fallen lassen.

•**Eine Person, die mit der Handhabung des Produkts nicht vertraut ist, sollte es nicht unbeaufsichtigt verwenden.** Personen mit physischen oder geistigen Behinderungen oder mangelnder Erfahrung und Kenntnis sollten das Gerät nicht unbeaufsichtigt verwenden.

•**Verwenden Sie das Produkt nicht, wenn Sie magnetische Gegenstände tragen oder in der Hand halten (z. B. magnetische Armbänder).** Wenn sich magnetische Gegenstände in der Nähe des Produkts befinden, kann es zu Funktionsstörungen kommen.



**Vorsichtshinweis** Die Nichtbeachtung der Warnhinweise kann zu schweren Verletzungen oder Tod führen.

•**Das Produkt nicht in Betrieb nehmen, bevor das Produktgehäuse und Hauptbehälter-Set sicher miteinander verbunden sind.**

•**Bei einem Gasleck das Netzkabel nicht berühren, die Fenster öffnen und den Raum gründlich durchlüften.**

•**Sollte die Pressschnecke während des normalen Betriebs zum Stillstand kommen, halten Sie die Taste „REV“ für 3 bis 5 Sekunden gedrückt, um ein Drehen in umgekehrter Richtung zu veranlassen. Drücken Sie, nachdem das Drehen in umgekehrter Richtung beendet ist, die Taste „ON“, um den normalen Betrieb wieder aufzunehmen.** Sollte die Pressschnecke während des Betriebs zum wiederholten Male zum Stillstand kommen, könnte die Ursache eine Beschädigung von Bauteilen oder eine Überhitzung des Motors sein, welche die Geräteleistung beeinträchtigt. Sollte das Problem weiterhin auftreten, verwenden Sie das Gerät nicht weiter und setzen Sie sich mit Ihrem örtlichen Kundendienstzentrum in Verbindung.

- **Während des Betriebs das Produktgehäuse nicht bewegen oder das Hauptbehälter-Set bzw. Geräteteile zerlegen oder zusammenbauen.** Darauf achten, vorher den Betrieb zu stoppen und das Netzkabel herauszuziehen.
- **Beim Produktgebrauch darauf achten, dass keine Krawatte, Halskette, Schal etc. in die Einfüllöffnung gelangt.**
- **Platzieren Sie das Produkt für den Gebrauch auf einer ebenen und stabilen Oberfläche.**
- **Beim Einfüllen der Zutaten in die Einfüllöffnung keine Esstäbchen, Löffel, harte oder andere Gegenstände außer den Stopfer verwenden.**
- **Das Gerät nicht länger als 30 Minuten am Stück verwenden.** Eine Überhitzung des Motors kann zu Funktionsstörungen führen. Für die erneute Inbetriebnahme das Gerät vor dem Gebrauch 5 Minuten lang ausschalten.
- **Das Gerät keiner übermäßigen Kraft oder Druck aussetzen bzw. nicht fallen lassen.**
- **Wenn das Gerät ungewöhnliche Geräusche erzeugt, heiß wird oder Rauch erzeugt, schalten Sie es bitte sofort aus und kontaktieren Sie das Kundendienstzentrum.** Der Geruch beim Erstgebrauch des Produkts verschwindet im Laufe der Zeit.
- **Das Netzkabel aus der Steckdose ziehen, wenn das Gerät nicht verwendet wird.** Darauf achten, das Kabel mit dem Stecker aus der Steckdose zu ziehen.
- **Das Produkt nicht bei Temperaturen von 80°C oder höher reinigen.** Das Gerät nicht in eine Geschirrspülmaschine, Mikrowelle etc. geben, dies kann Funktionsstörungen und/oder eine Verformung der Geräteteile verursachen.
- **Das Produktgewicht beträgt ca. 5.4 kg. Beim Bewegen des Produkts darauf achten, das Produktgehäuse mit beiden Händen festzuhalten.** Wenn nur der Hauptbehälter oder Seiten des Produktgehäuses gehalten werden, kann das Gehäuse zu Boden fallen und Körperverletzung oder Funktionsstörungen verursachen.
- **Dieses Haushaltsprodukt darf nicht für kommerzielle Zwecke verwendet werden. Durch die übermäßige Entsaftung großer Mengen von Zutaten können die Geräteteile beschädigt werden.**  
Falls das Gerät für kommerzielle Zwecke verwendet wird, kontaktieren Sie bitte das Kundendienstzentrum für Informationen über die Verwendungsmethode.



## 2. Vorsichtsmaßnahmen während der Verwendung

- **Stellen Sie sicher, dass Sie genau verstehen, wie die Zutaten vorzubereiten sind, und bereiten Sie sie vor dem Einfüllen richtig vor.**  
- Falsch vorbereitete Zutaten können den Entsaftungsprozess behindern und/oder Produktschäden hervorrufen.
- **Zutaten, die besondere Sorgfalt erfordern**  
- Bei der alleinigen Verwendung weicher Zutaten wie Bananen, reife Kiwi und Tomaten kann der Saft im Hauptbehälter stagnieren, sodass die Entsaftung erschwert wird. Bitte fügen Sie andere, weniger weiche Zutaten hinzu.  
- Walnüsse, Erdnüsse, Mandeln, Sonnenblumenkerne, Pinienkerne, Bohnen etc. nur in kleinen Mengen einfüllen, in Wasser einweichen und gemeinsam mit anderen Zutaten hinzufügen.

### • Für die Entsaftung ungeeignete Zutaten

- Keine Zutaten einfüllen, die für eine Entsaftung ungeeignet sind, wie Sesamkörner, Kaffeebohnen, getrocknete Chilischoten, Baumrinde und Kiefernadeln. Keine/n Fisch, Aal, Krabben, Schnecken, Tintenfische etc. einfüllen
- Keine in Alkohol, Honig oder Zucker eingelegte Früchte (Trauben, Himbeeren, Brombeeren etc.) und enzymhaltige Produkte (Salzbohnen, Föhrenenzym etc.)
- Keine Zutaten einführen, die von Natur aus schwer zu entsaften sind, wie z. B. Ölfrüchte, Aloe vera, Kaktus, Quitte, Yams, Kudzu-Wurzel, Zuckerrohr, Ahorn und Löwenzahn.
- Keine gekochten Zutaten wie gekochte Kartoffeln oder Süßkartoffeln einführen.
- Keine Eiswürfel einführen.
- **Es wird empfohlen, Gemüsesaft sofort zu konsumieren und nicht über längere Dauer im Kühlschrank aufzubewahren.**
- **Dieses Gerät nicht für das Mahlen von Körnern verwenden.**
- **Trester darf nicht erneut entsaftet werden.**
- **Das Produkt nicht im Leerlauf vor dem Einführen von Zutaten verwenden.**
- **Keine Zutaten in den Trichter oberhalb der Grenzmarke einfüllen.**
- **Das Gerät nicht länger als 30 Minuten am Stück verwenden.**

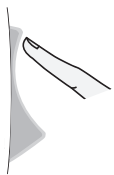
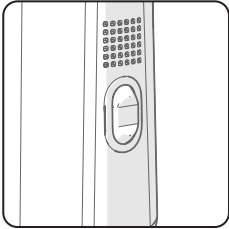
- Eine Überhitzung des Motors kann Funktionsstörungen verursachen. Bei einer längeren Verwendung den Betrieb stoppen und nach einer Pause von 5 Minuten erneut starten.

- **Während des Betriebs keine Esstäbchen oder Löffel in die Einfüllöffnung / den Tresterauslass einfüllen.**
- **Für das Einfüllen von Zutaten nur den Stopfer verwenden.** Ansonsten besteht die Gefahr von Körperverletzung und/oder Funktionsstörungen.
- **Den Schalter nicht mit nassen Händen anfassen.**  
- Dies kann zu einem elektrischen Schlag, Kurzschluss und/oder Feuer führen. Fremdkörper vom Netzschalter fernhalten.
- **Bei der Verwendung den Saftdeckel offen lassen.**  
- Der Saft kann in den Trichter zurückfließen, wenn der Saftdeckel während der Entsaftung geschlossen ist.
- **Nicht verwenden, wenn sich eine große Menge Wasser oder Gemüsesaft im oberen Teil des Gehäuses befindet.**
- **Für das reibungslose Entsaften großer Mengen mehrmals hintereinander ist es wichtig, den Tresterbehälter regelmäßig zu leeren.**  
- Wenn der Tresterbehälter nicht geleert wird, kann er herausgedrückt werden, oder der Betrieb des Geräts kann unterbrochen werden.  
- Trester kann auf das Gehäuse tropfen, wenn Sie den Hauptbehälter nach dem Entsaften abnehmen.

### Anmerkung

1. Vertrocknete Zutaten, die lange Zeit im Kühlschrank aufbewahrt wurden, oder gefrorene Früchte ergeben nur wenig oder gar keinen Saft.
2. Wenn das Produkt nicht sofort nach der Verwendung gereinigt wird, kann der Trester eintrocknen, sodass der Ausbau und die Reinigung der Bauteile erschwert werden und eventuell die Geräteleistung beeinträchtigt wird. Daher sollte das Gerät immer sofort nach der Verwendung gereinigt werden.

Vor Inbetriebnahme des Produkts den Netzschalter drücken.



[ON] : ON – Startet den Motor, sodass Saft hergestellt wird.



[●] : Stop – Hält den Betrieb des Gerätes an.

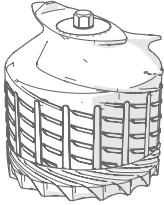


[REV] : REV – Drücken Sie diese Taste, wenn die Pressschnecke während des Betriebs wegen Überfüllung zum Stillstand kommt.  
 ※ Das Gerät ist nur solange in Betrieb, wie die Taste gedrückt bleibt. Beim Loslassen der Taste wird der Betrieb unterbrochen.

## 4. Vorsichtsmaßnahmen vor der Entsaftung

- ※ Bei Allergien bitte darauf achten, bei der Vorbereitung die geeigneten Zutaten auszuwählen.
- ※ Für die Methode und Anmerkungen zur Verwendung des Geräts für die einzelnen Zutaten siehe Anleitung zur Zubereitung.
- ※ Die Zutaten in der richtigen Größe vorbereiten, um in den Trichter zu passen. Für die Entsaftung großer Mengen oder auf hoher Stufe die Zutaten vor dem Einfüllen in besonders kleine Stücke schneiden. Für etwa 1 kg den Anwendungsschritt "Ausbau und Reinigung nach Entsaftung" wiederholen.
- ※ Keine Zutaten in den Trichter oberhalb der Grenzmarke einfüllen.
- ※ Beim Entsaften von weichen Früchten können die Zutaten im Hauptbehälter stagnieren.
- ※ Bei der Entsaftung von faserhaltigen Obst- und Gemüsesorten kann der Saft verdicken.
- ※ Wenn die folgenden schwer zu entsaftenden Zutaten eingefüllt werden, können Beschädigung oder Funktionsstörungen des Produkts auftreten.
  - Zutaten, die für eine Entsaftung ungeeignet sind, wie z. B. Sesamsamen, Kaffeebohnen, Chilischoten, Baumrinde und Tannennadeln sowie Fisch, Aal, Garnelen, Schnecken, Tintenfisch etc.
  - In Alkohol, Honig oder Zucker eingelegte Früchte (Trauben, Himbeeren, Brombeeren etc.) und enzymhaltige Produkte (Salzbohnen, Föhrenenzym etc.)
  - Zutaten, die von Natur aus schwierig zu entsaften sind wie (Ölfrüchte, Aloe vera, Kaktus, Quitte, Yams, Kudzu-Wurzel, Zuckerrohr, Ahorn und Löwenzahn)
  - Gekochte Zutaten wie gekochte Kartoffeln oder Süßkartoffeln
  - Eiswürfel
- ※ Nicht verwenden, um Körner zu mahlen.
- ※ Siehe Anleitungen in <Vorsichtsmaßnahmen beim Gebrauch> (siehe S. 19).

## 4-1. Universal-Press-Schnecke



- Da bestimmte Zutaten speziell vorbereitet werden müssen, lesen Sie bitte die nachstehenden Anleitungen zur Vorbereitung.
- Für die Entsaftung großer Mengen oder mehrmals hintereinander die Zutaten vor dem Einfüllen in kleine Stücke schneiden. Dann den Anwendungsschritt "Ausbau und Reinigung nach Entsaftung" wiederholen.
- Für schnelleres Entsaften die Zutaten in besonders kleine Stücke schneiden.

### Zitrusfrüchte

#### Grapefruit, Orangen, Zitronen etc.

Die Zutaten vorbereiten, schälen und in kleine Stücke schneiden, um in die Trichteröffnung zu passen. Alle harten Kerne vor dem Einfüllen entfernen

### Früchte mit dicker Schale

#### Ananas, Drachenfrucht, Melone, Wassermelone, Granatapfel

Die Zutaten vorbereiten, schälen und in kleine Stücke schneiden, die in die Trichteröffnung passen. Alle harten Kerne vor dem Einfüllen entfernen.

### Kernhaltige Früchte

#### Trauben, Apfel, Pfirsich, Dattelpflaume, Pflaume, Kirsche, Birne, koreanische Melone etc.

Bei Zutaten mit harten oder großen Kernen, wie z. B. Pfirsichen, den Kern zuerst entfernen und dann das Fruchtfleisch schneiden und vorbereiten. Harte Kerne können den Betrieb stoppen oder Geräteteile beschädigen. Apfelkerne enthalten Giftstoffe und sollten daher soweit möglich entfernt werden. Bei Trauben jede Traube einzeln vom Strang entfernen und waschen. Nicht nur besonders weiche Zutaten entsaften, sondern mit anderen Obst- und Gemüsesorten vermischen.

### Weiches Obst

#### Einfache Entsaftung (Beeren, Kirschtomaten, Ananas etc.)

※ Die Zutaten sorgfältig säubern und in kleine Stücke schneiden, die in die Trichteröffnung passen. Bei Obst- und Gemüsesorten mit Stängeln diese zuerst entfernen.

#### Gemischte Extraktion (Erdbeeren, Kiwi, Banane, Tomate, Mango etc.)

#### ※ Trockene und dickflüssige Zutaten mit anderen Zutaten zur Entsaftung vermischen.

Schale und Stiele sowie eventuell vorhandene Kerne entfernen.

### Wurzelgemüse

#### Karotten, Rüben, Ingwer, Süßkartoffeln, Kartoffeln, Knoblauch etc.

Die Zutaten unter laufendem Wasser waschen, um Schmutz und Fremdstoffe zu entfernen. Faserhaltige Zutaten wie Ingwer zuerst schälen und dann in kleine Stücke schneiden. Lange Zutaten zur Entsaftung vertikal schneiden.

### Blatt- und Stängelgemüse

#### Sellerie, Kale, Kraut, Wasserkresse, Weizengras, Schnittlauch etc.

Für die Entsaftung die Zutaten in höchstens 3 cm große Stücke schneiden. Da Blatt- und Stängelgemüse faserhaltig sind, sind sie schwer zu entsaften und können sich in der Universal-Press-Schnecke verfangen.

- Beim Entsaften anderer Zutaten als Wurzelgemüse, Blatt- und Stängelgemüse kann der Saft stagnieren.

### Gefrorenes Obst

#### Obst mit dicker Schale wie Wassermelonen oder Melonen

Vor dem Einfrieren die Außenhaut abschälen und die Zutaten in kleine Stücke schneiden, die in die Trichteröffnung passen.

#### Kernobst wie Mangos, Pfirsiche und Trauben

Nur gefrorene kernlose Früchte verwenden. Bei Obst mit harten Kernen wie Mangos, Pfirsichen und Zitronen alle Kerne entfernen und dann die Früchte zur Verwendung einfrieren. Für Trauben die kernlose Variante zur Verwendung einfrieren.

#### Weiches Obst und Gemüse wie Bananen, Kiwi und Tomaten

Vor dem Einfrieren Bananen, Kiwi etc. vollständig schälen und in 3-4 cm große Stücke schneiden, die in die Trichteröffnung passen. Bei Kirschtomaten, Erdbeeren etc. die Stängel entfernen und dann einfrieren.

- Wird verwendet, um Pürees, Smoothies, Eiscreme etc. aus gefrorenen Früchten zuzubereiten.
- Vor der Verwendung das Obst in 2 cm große Stücke schneiden und einfrieren.
- Nicht zum Zerkleinern und Crushen von Eis oder anderen Zutaten verwenden
- Das Gerät kann stoppen, wenn eine zu große Menge an Zutaten oder zu großen Stücken auf einmal eingefüllt wird. Achten Sie daher darauf, jeweils nur eine kleine Menge (in die Zusatzöffnung) einzufüllen.

22 **5. Bestandteile**

**Trichterteil**

Trichter



**Hauptbehälterteil**

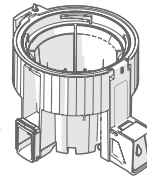
Oberer Teil der Multischraube



Unterer Teil der Multischraube



Hauptbehälter

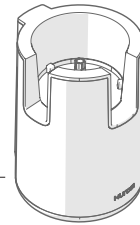


**Gehäuseteil**

Stromkabel



Produktgehäuse



**Zubehörteil**

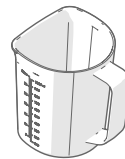
Tresterbecher



Reinigungsbürste



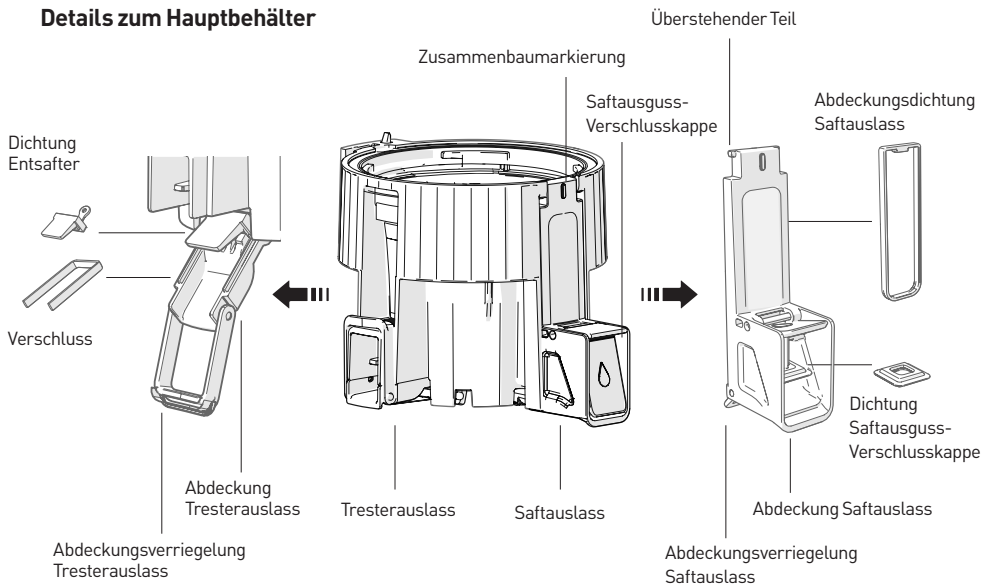
Saftbecher



Stopfer

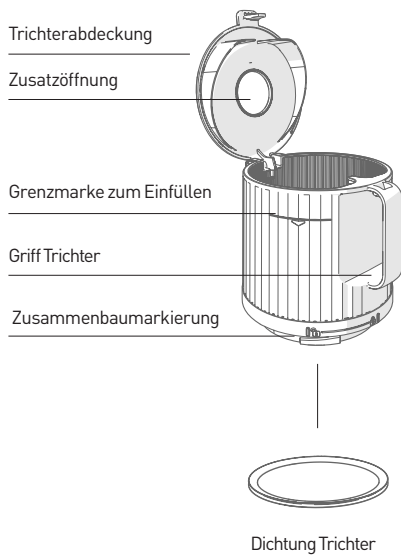


## Details zum Hauptbehälter

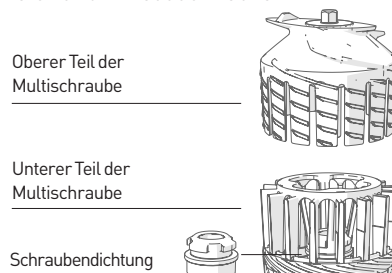


Deutsch

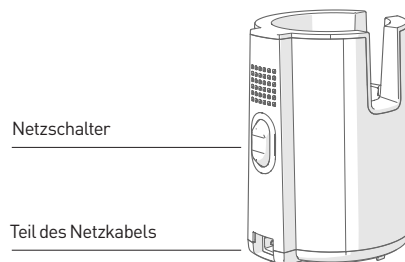
## Details zum Trichter



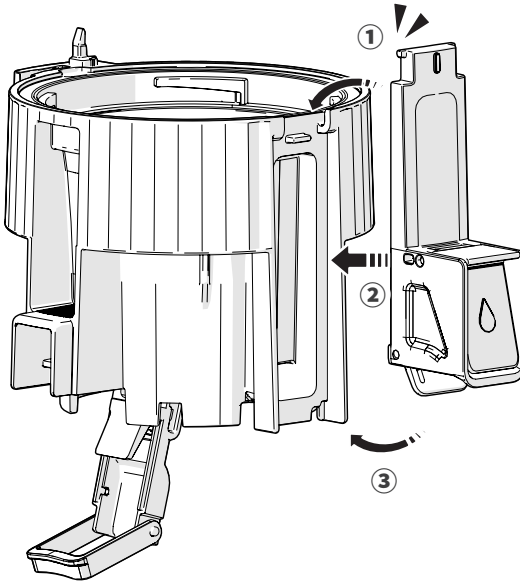
## Details zur Pressschnecke



## Details zum Gehäuse



## 01 Abdeckung Saftauslass Zusammenbau

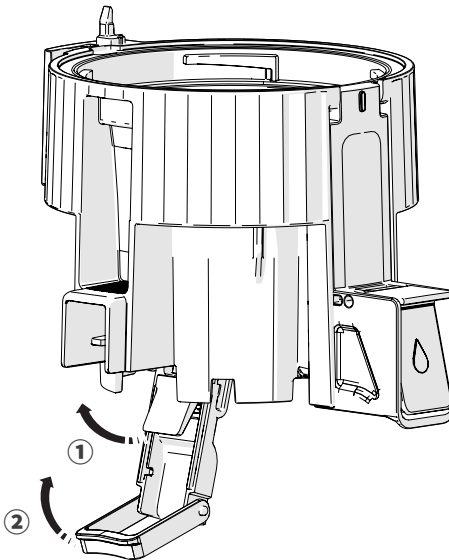


**Die Abdeckung des Saftauslasses an einer Rille oben am Hauptbehälter einrasten und dann den Haken am unteren Teil anbringen.**

Wenn die Dichtung nicht richtig eingesetzt oder die Verriegelung nicht richtig geschlossen ist, kann sich der Deckel des Tresterauslasses öffnen oder Saft während der Entsaftung austreten.

※ Prüfen Sie, ob die Dichtungen des Saftausguss-Entleerdeckels und der Verschlusskappe angebracht sind.

## 02 Abdeckung Tresterauslass Zusammenbau

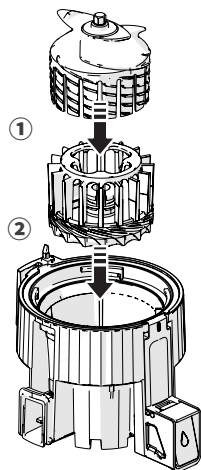


**Die Abdeckung des Tresterauslasses nach oben heben, um sie zu schließen, und die Verriegelung einhaken.**

Wenn die Dichtung nicht richtig eingesetzt oder die Verriegelung nicht richtig geschlossen ist, kann sich der Deckel des Tresterauslasses öffnen oder Saft während der Entsaftung austreten.

※ Prüfen Sie, ob die Entsaftungsdichtung und der Dichtungsring angebracht sind.

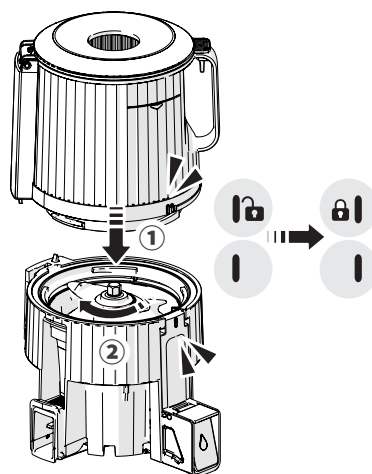
### 03 Zusammenbau Pressschnecke



Setzen Sie die zusammengebaute Multischraube in den Hauptbehälter ein und drehen Sie sie im Uhrzeigersinn.

Wenn die Teile im Inneren des Hauptbehälters nicht richtig zusammengebaut sind, funktioniert das Produkt möglicherweise nicht ordnungsgemäß.

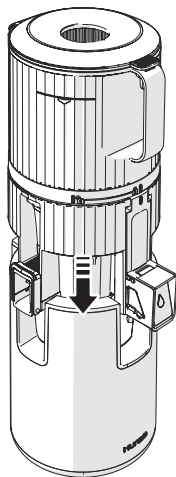
### 04 Zusammenbau Trichter



Für den Zusammenbau die Markierungen am Hauptbehälter und Trichter ausrichten und dann im Uhrzeigersinn drehen, um sie komplett zusammenzubauen.

Deutsch

### 05 Zusammenbau Gehäuse



Setzen Sie das richtig zusammengebaute Hauptbehälter-Set auf das Gehäuse.

#### Anmerkung

Die Abdeckung des Trichters absenken, bis ein Klickgeräusch zu hören ist.

Wenn die Abdeckung des Trichters nicht richtig geschlossen ist, funktioniert das Gerät möglicherweise nicht korrekt.

Bauen Sie das Hauptbehälter-Set nicht direkt am Gehäuse, sondern zuerst separat zusammen, und setzen Sie dann das gesamte Set auf das Gehäuse.

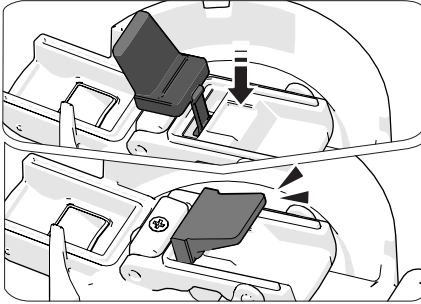
Für einen problemlosen Zusammenbau des Geräts muss die Montageanleitung genau befolgt werden.

## 26 7. Ein- und Ausbau von Silikon

※ Dichtungsringe aus Silikon sind Verbrauchsprodukte, die alle 6 bis 12 Monate ersetzt werden sollten. Sie sind beim Kundendienstzentrum erhältlich.

(Der Entsafter kann undicht sein, wenn das Produkt nicht richtig zusammengebaut ist)

### Dichtung Entsafter



#### Demontage

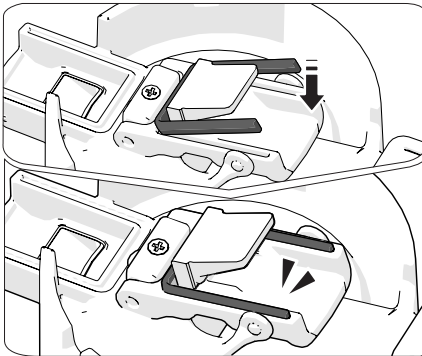
Die Dichtung anfassen und nach hinten herausziehen.

Die Dichtung ist mit einem Ring versehen, sodass sie nicht vollständig demontiert werden kann.

#### Zusammenbau

Nach der Reinigung den konvexen Teil der Dichtung durch Einhaken einlegen und dann nach unten drücken.

### Dichtung Verschluss



#### Demontage

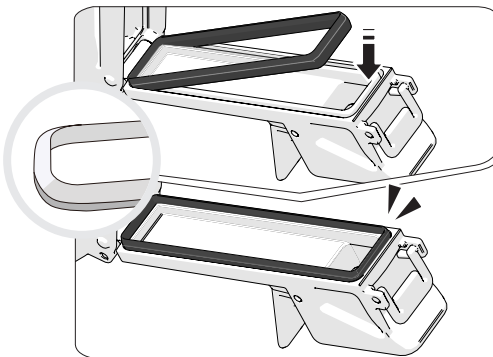
Die Dichtung anfassen und nach hinten herausziehen.

#### Zusammenbau

Nach der Reinigung zuerst eine Seite der Dichtung mit einer Einhakenbewegung einlegen.

Den restlichen Teil einlegen und die Umlaufränder nach unten drücken.

### Abdeckungsdichtung Saftauslass



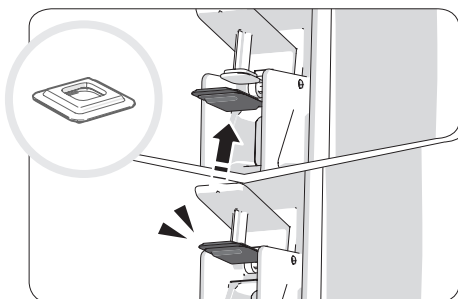
#### Demontage

Die Dichtung anfassen und nach hinten herausziehen.

#### Zusammenbau

Vergewissern Sie sich nach der Reinigung, dass die abgeschrägte Fläche der Dichtung nach außen zeigt, bevor Sie sie einlegen und nach unten drücken.

### Dichtung Saftausguss-Verschlusskappe



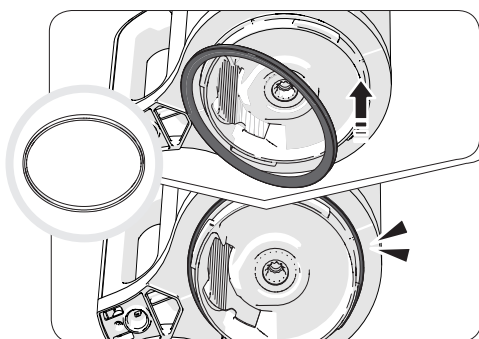
#### Demontage

Die Dichtung anfassen und nach hinten herausziehen.

#### Zusammenbau

Nach der Reinigung zuerst eine Seite der Dichtung mit einer Einhabbewegung einlegen. Den restlichen Teil einlegen und die Umlaufränder nach unten drücken.

### Dichtung Trichter



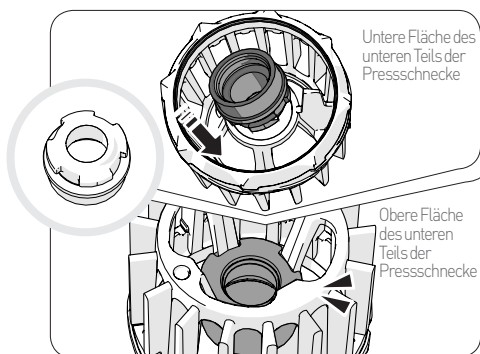
#### Demontage

Die Dichtung anfassen und nach hinten herausziehen.

#### Zusammenbau

Nach der Reinigung zuerst eine Seite der Dichtung mit einer Einhabbewegung einlegen. Den restlichen Teil einlegen und die Umlaufränder nach unten drücken.

### Schraubendichtung

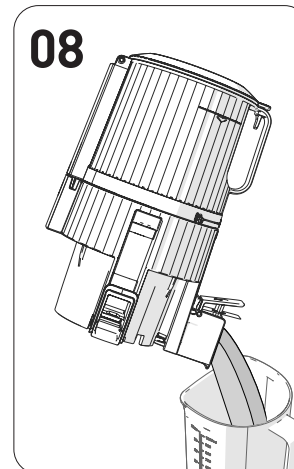
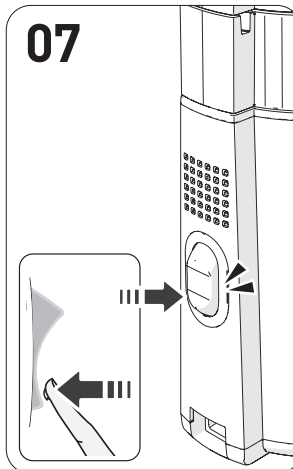
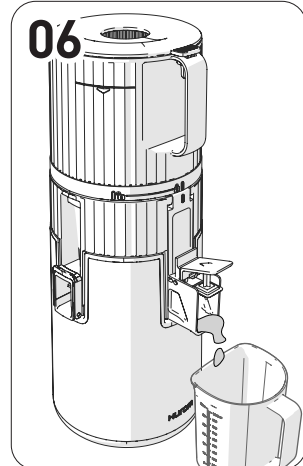
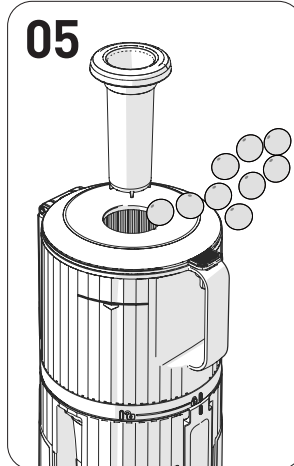
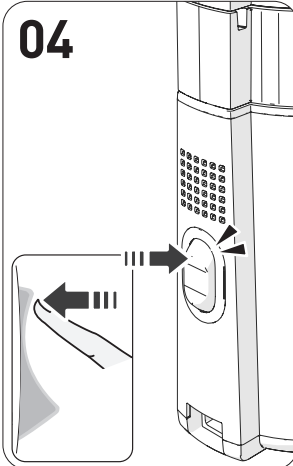
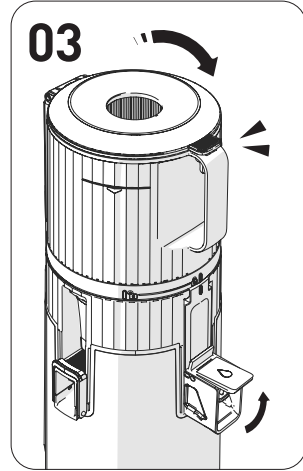
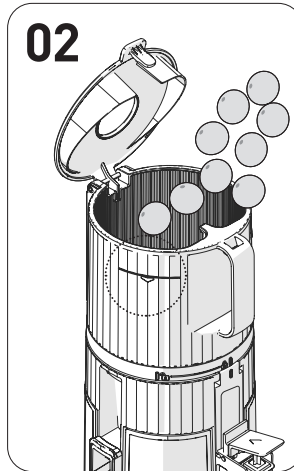
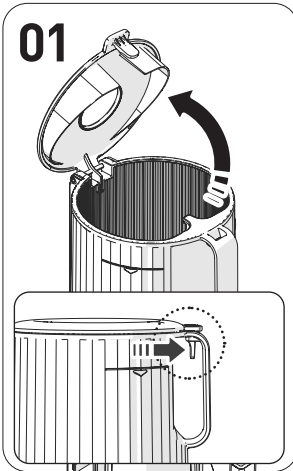


#### Demontage

An einer Seite ziehen, um sie nach unten zu lösen.

#### Zusammenbau

Nach der Reinigung die Richtung prüfen und sie am unteren Teil der Pressschnecke durch Einhängen einer Seite einlegen. Die Dichtung einlegen und nach unten drücken, sodass keine Falten vorhanden sind.



### 01 Den Trichterdeckel öffnen.

① Den Hebel des Trichterdeckels ziehen, um ihn zu öffnen.

Durch Einfüllen einer übermäßigen Menge von Zutaten kann ein zu starker Druck auf das Produkt ausgeübt werden.

### 02 Zutaten nur bis zur Grenzmarke des Trichters einfüllen.

① Weiche Zutaten mit anderen Zutaten zur Entsaftung vermischen.

### 03 Den Trichterdeckel schließen und die Saftausguss-Verschlusskappe offen lassen.

① Platzieren Sie vor dem Betätigen der „ON“-Taste den Saftbehälter.

② Der Saft kann in den Trichter zurückfließen, wenn die Saftausguss-Verschlusskappe während der Entsaftung geschlossen ist. Wenn der Saft nach Öffnen der Saftausguss-Verschlusskappe nicht herausfließt, den Trichterdeckel öffnen und Inhalt austeeren.

### 04 Den Netzschalter kurz drücken, um den Betrieb zu starten.

① Das Klickgeräusch während des Produktbetriebs entsteht durch das Einrasten des Hauptbehälter-Sets mit dem Motor.

### 05 Um während des Betriebs weitere Zutaten hinzuzufügen, die Zusatzöffnung verwenden oder den Trichterdeckel öffnen.

① Wenn der Trichterdeckel geöffnet wird, stoppt der Betrieb.

② Zum Einfüllen der Zutaten nur den Stopfer verwenden.

③ Falls sich die Universal-Press-Schnecke dreht, die Zutaten aber im Trichter während der Entsaftung nicht zerkleinert werden, die Zutaten mit dem Stopfer nach unten drücken.

### 06 Das Gerät etwa 1 Minute lang laufen lassen, nachdem alle Zutaten durch den Trichter eingefüllt wurden.

① Die Zutaten werden langsam ausgepresst, daher braucht es einige Zeit, bis die letzte Zutat entsaftet ist.

② Der übrige Trester wird durch den weiteren Betrieb des Geräts nach der Entsaftung entfernt, um den Trichter leichter abzunehmen und die Teile zu reinigen.

③ Durch wiederholten Gerätebetrieb im Rückwärtslauf und normale Umdrehungen lassen sich Tresterreste leicht entfernen.

### 07 Nach der Entsaftung und Tresterentfernung den Netzschalter drücken, um das Gerät zu stoppen.

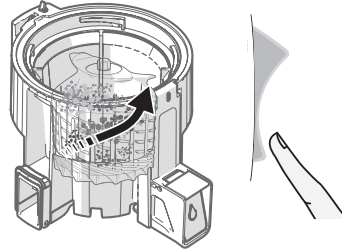
① Das Gerät stoppt 3 Sekunden nach Betriebsstopp durch den Netzschalter.

### 08 Übrigen Trester durch Kippen des Hauptbehälters nach vorne entfernen.

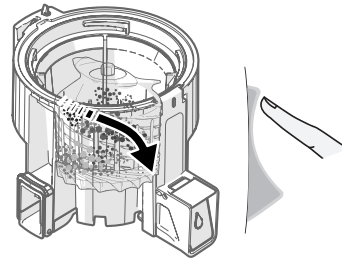
① Bei dickflüssigem Saft aus Tomaten etc. kann Saft im Hauptbehälter verbleiben.

② Wenn Sie den Hauptbehälter abnehmen, kann je nach den zu entsaftenden Zutaten Trester aus dem Produktgehäuse tropfen.

01



02



### 01 Halten Sie die Taste [REV] zwei bis dreimal für 3 bis 5 Sekunden gedrückt.

Durch Betätigen der Taste [REV] werden die Zutaten wieder hochgedrückt, sodass sie sich herausnehmen lassen. Das Drehen in umgekehrter Richtung hält nur so lange an, wie die Taste gedrückt bleibt. Beim Loslassen der Taste kommt die Pressschnecke zum Stillstand.

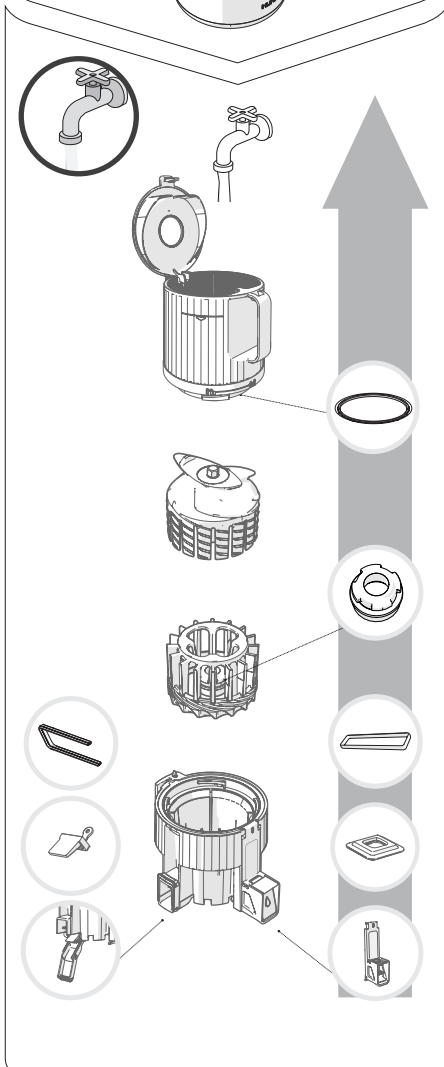
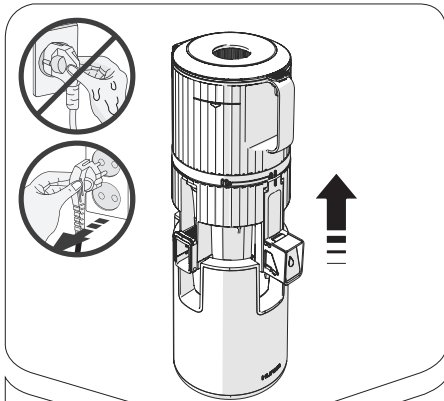
### 02 Drücken Sie, nachdem das Drehen in umgekehrter Richtung vollständig zum Stillstand gekommen ist, den Schalter [ON], um das Gerät wieder normal in Betrieb zu nehmen.

Betätigen Sie die Schalter [ON/Extract] und [REV/Reverse] jeweils nur dann, wenn die Pressschnecke völlig stillsteht.

#### Anmerkung

Wenn die Universal-Press-Schnecke selbst nach der o.g. Prozedur nicht funktioniert, den Stecker aus der Dose ziehen, das Hauptbehälter-Set abnehmen, reinigen und erneut verwenden.

Aufgrund seiner Merkmale stoppt der Motor nicht sofort, sondern dreht sich langsam in der Richtung des Betriebsvorgangs, bevor er komplett zum Stillstand kommt.



※ Nach komplettem Stopp des Betriebsvorgangs das Netzkabel mit trockenen Händen aus der Steckdose ziehen. Nachdem das Produkt gestoppt wurde, kommt der Motor langsam zum Stillstand. Daher vor dem Abnehmen des Hauptbehälter-Sets 3 Sekunden lang warten.

**01** Den Hauptbehälter vom Produktgehäuse abtrennen. Den Trichter drehen, um ihn zu öffnen, und nacheinander die einzelnen Teile durch Ziehen abnehmen.

**02** Die Teile mit einer Reinigungsbürste unter fließendem Wasser säubern.

**03** Um den Hauptbehälter zu reinigen, nehmen Sie zunächst die Abdeckung des Saftauslasses ab und öffnen Sie dann die Abdeckung des Tresterauslasses und die Saftausguss-Verschlusskappe für eine gründliche Reinigung.

**04** Das Produktgehäuse mit einem feuchten Handtuch oder einem weichen Lappen abwischen.

**05** Die Silikondichtungen nach der Verwendung abnehmen und säubern.

- Es können noch Fruchtreste festsitzen.  
(Dichtungen von Trichter, Saftausguss-Verschlusskappe, Entsaftung, Verschluss, Schraubendichtung, Abdeckung des Saftauslasses)

**06** Die Teile können durch Einlegen in warmes Wasser mit Backpulver, Zitronensäure oder Essig sterilisiert werden.

※ Wenn das Produkt unmittelbar nach der Verwendung nicht gereinigt wird, können die Edelstahlteile und andere Bereiche rosten oder sich durch die Einwirkung von Salz und Trester entfärben.

Auch Giftstoffe können sich im Inneren festsetzen und eintrocknen, sodass Reinigung und Ausbau der Teile erschwert werden sowie die Leistung beeinträchtigt wird. Darauf achten, das Gerät nach dem Gebrauch zu säubern, vollständig an der Luft zu trocknen und an einem sauberen Ort aufzubewahren. Vor einer längeren Aufbewahrung muss das Gerät mit einer Reinigungsbürste gesäubert werden. Nicht mit kochendem oder heißem Wasser reinigen oder Reinigungsschwämme, Stahlschwämme, Scheuermittel oder scharfe Reinigungswerkzeuge verwenden. Nicht in die Geschirrspülmaschine geben.

## 11. Vor Reparatur-Anfragen

Prüfen Sie folgende Punkte, bevor Sie eine Reparatur anfragen. Wenden Sie sich für Kundendienstleistungen und jegliche Nachfragen zur Verwendung des Geräts an unser Kundenzentrum oder konsultieren Sie unsere Homepage unter <http://www.globalhurom.com>. Prüfen Sie die Hersteller Nummer oder die Nummer unter dem Barcode, wenn Sie Serviceleistungen oder Teile anfragen.

Deutsch

<b>01. Bei Betriebsaufnahme ist ein Klickgeräusch hörbar.</b>	<b>Das ist das Geräusch des Motors, der mit der Universal-Press-Schnecke verbunden wird.</b> Es handelt sich nicht um eine Funktionsstörung.
<b>02. Das Gerät funktioniert nicht nur mit dem Produktgehäuse.</b>	<b>Es ist zu überprüfen, ob das Hauptbehälter-Set und das Produktgehäuse richtig zusammengebaut sind.</b> Darauf achten, bei Zusammenbau und Zerlegung die Stromversorgung auszuschalten.
<b>03. Beim Zusammenbau darauf achten, dass es mit dem Sicherheitssensor ausgerichtet ist.</b>	<b>Prüfen, ob es in Übereinstimmung mit der Markierung zusammengebaut wurde.</b>
<b>04. Das Gerät funktioniert nicht.</b>	<b>Prüfen, ob das Netzkabel richtig eingesteckt ist. Das Gerät kann nach langem Betrieb (30 Minuten oder länger) nicht funktionieren.</b> Es funktioniert wieder normal, sobald das überhitzte Produktgehäuse abgekühlt ist.
<b>05. Das Gerät hält bei normaler Funktion plötzlich an.</b>	<b>Prüfen, ob der Fülltrichter richtig eingelegt wurde.</b> Wenn der Trichter nicht richtig eingelegt ist, funktioniert das Produkt nicht. Es funktioniert nur, wenn beim Zusammenbau das Schlosssymbol am Behälter und die Zusammenbaumarkierung des Trichters einander gegenüber stehen. Prüfen, ob das Gerät gemäß den Anweisungen in der Bedienungsanleitung ordnungsgemäß zusammengebaut wurde. Siehe Bauanleitung (Seite 25). <b>Wurden übermäßige Zutatennengen oder besonders dickschalige Zutaten eingefüllt?</b> Siehe Seite 29 der Bedienungsanleitung, um den Rückwärtslauf zu aktivieren. <b>Aus Sicherheitsgründen wird ein Timer eingestellt, der 5 Minuten nach Beginn des Betriebs automatisch stoppt. Den Netzschalter kurz drücken, um den Betrieb zu starten.</b>
<b>06. Es sind Bruchstellen durch Schrauben oder Kratzer an der Oberseite der Universal-Press-Schnecke sichtbar.</b>	<b>Beim Formen werden zusätzlich zu den geradlinigen Pressrillen kurvenförmige Markierungen auf den Seiten und der Oberseite der Universal-Press-Schnecke angebracht. Sie sind Teil des Geräts und beeinträchtigen keinesfalls den Betrieb.</b>
<b>07. Unmittelbar nach Einfüllen der Zutaten tritt Saft durch den Tresterauslass.</b>	<b>Je nach eingefüllten Zutaten können kleine Saftmengen durch den Tresterauslass austreten.</b> Das ist kein Produktdefekt, sondern ein Phänomen, das durch die Eigenschaften der Zutaten verursacht wird. Der Saftaustritt stoppt, sobald das Produkt im Betrieb läuft. Bei anhaltendem Saftaustritt kontaktieren Sie bitte das Kundendienstzentrum.
<b>08. Saft fließt in den Trichter zurück.</b>	<b>Haben Sie die Entsaftung mit geschlossener Saftauslass-Verschlusskappe durchgeführt?</b> Beim Entsaften mit geschlossener Saftauslass-Verschlusskappe kann Saft zurück in den Trichter fließen. Wenn der Saft nach Öffnen der Saftausguss-Verschlusskappe nicht herausfließt, den Trichterdeckel öffnen und den Inhalt ausleeren.
<b>09. Saft tritt zwischen Trichter und Hauptbehälter oder zwischen Hauptbehälter und Produktgehäuse aus.</b>	<b>Ist die Trichter- oder Pressschnecken-Dichtung richtig eingelegt?</b> Saft tritt aus, wenn die Trichter- oder Pressschnecken-Dichtung verkehrt oder unvollständig eingelegt wurde. Prüfen, ob die Dichtung richtig eingelegt wurde.
<b>10. Der Fülltrichter öffnet sich nicht.</b>	<b>Es könnten übermäßige Tresterreste im Inneren zurückgeblieben sein.</b> Nehmen Sie das Produkt in Betrieb, um den Trester im Inneren zu entfernen oder wiederholen Sie den Vorgang Rückwärtslauf aktivieren etwa 10 Sekunden lang und stoppen Sie dann 2 bis 3 Mal nacheinander. Der Trichter kann dann problemlos geöffnet werden. <b>Wurden Fremd- oder Feststoffe (harte Kerne wie z. B. Pflaumenkerne) eingefüllt?</b> Falls Fremd- oder Feststoffe eingefüllt wurden, können Geräteteile bei der Aktivierung des Rückwärtslaufs erheblich beschädigt werden. Kontaktieren Sie das Kundendienstzentrum und fordern Sie einen Produktservice an.
<b>11. Der Hauptbehälter vibriert (beim Entsaften).</b>	<b>Das Produkt kann aufgrund der Motorbewegungen leicht vibrieren.</b> Je nach Beschaffenheit der Zutaten (hart oder zäh) werden Vibrationen in verschiedenen Stärken erzeugt. Das ist keine Funktionsstörung, sondern ein normales Phänomen, das durch die Schneckendrehung verursacht wird. Im Vergleich zu weichen Zutaten mit hohem Wassergehalt können härtere Zutaten ein stärkeres Vibrieren verursachen (z. B. Karotten, Kartoffeln, Radieschen, Rüben, Kohlrabi etc.)
<b>12. Beim Entsaften ist ein ungewöhnliches Geräusch hörbar.</b>	<b>Dieses Geräusch entsteht beim Zerkleinern von Zutaten.</b> Bei harten oder zähen Zutaten wie z. B. Äpfeln, Karotten, Kohl, Sellerie, Rüben etc. kann das Entsaftungsgeräusch lauter sein als bei weichen Zutaten.

# CONSIGNES DE SÉCURITÉ IMPORTANTES

LES PRÉCAUTIONS DE SÉCURITÉ DE BASE SUIVANTES S'APPLIQUENT LORS DE L'UTILISATION D'APPAREILS ÉLECTRIQUES. :

- 1. LORSQUE VOUS UTILISEZ DES APPAREILS ÉLECTRIQUES, LES PRÉCAUTIONS DE BASE DOIVENT TOUJOURS ÊTRE PRISES. LISEZ TOUTES LES INSTRUCTIONS.**
- 2. POUR PROTÉGER CONTRE LES RISQUES DE CHOC ÉLECTRIQUE, NE PLONGEZ PAS LE CORPS PRINCIPAL (MOTEUR) DANS L'EAU OU TOUT AUTRE LIQUIDE.**
- 3. CET APPAREIL N'EST PAS CONÇU POUR ÊTRE UTILISÉ PAR DES PERSONNES (Y COMPRIS DES ENFANTS) AUX CAPACITÉS PHYSIQUES, SENSORIELLES OU MENTALES RÉDUITES, OU MANQUANT D'EXPÉRIENCE ET DE CONNAISSANCES, SAUF SOUS ÉTROITE SURVEILLANCE ET APRÈS AVOIR REÇU LES INSTRUCTIONS CONCERNANT L'UTILISATION DE L'APPAREIL PAR UNE PERSONNE RESPONSABLE DE LEUR SÉCURITÉ. UNE SURVEILLANCE ÉTROITE EST REQUISE LORSQUE TOUT APPAREIL EST UTILISÉ PAR OU À PROXIMITÉ D'ENFANTS. LES ENFANTS DOIVENT ÊTRE SUPERVISÉS POUR S'ASSURER QU'ILS NE JOUENT PAS AVEC L'APPAREIL.**
- 4. ÉTEIGNEZ L'APPAREIL ET DÉBRANCHEZ-LE DE LA PRISE DE COURANT LORSQU'IL N'EST PAS UTILISÉ, AVANT D'ASSEMBLER OU DE DÉMONTER DES PIÈCES ET AVANT DE LE NETTOYER. POUR LE DÉBRANCHER, SAISISSEZ LA FICHE ET RETIREZ-LA. NE TIREZ JAMAIS SUR LE CORDON.**
- 5. ÉVITER TOUT CONTACT AVEC LES PIÈCES EN MOUVEMENT. NE PAS TENTER D'INTERFÉRER AVEC LES MÉCANISMES DE VERROUILLAGE DE SÉCURITÉ.**
- 6. N'UTILISEZ PAS UN APPAREIL AVEC UN CORDON OU UNE FICHE ENDOMMAGÉE, OU APRÈS UN DYSFONCTIONNEMENT DE L'APPAREIL, QUI EST TOMBÉ OU ENDOMMAGÉ DE QUELQUE FAÇON. RETOURNEZ L'APPAREIL AU CENTRE DE SERVICE AGRÉÉ LE PLUS PROCHE POUR UN EXAMEN, UNE RÉPARATION OU UN RÉGLAGE ÉLECTRIQUE OU MÉCANIQUE.**

- 7. L'UTILISATION D'ACCESSOIRES NON RECOMMANDÉS OU VENDUS PAR LE FABRICANT PEUT PROVOQUER UN INCENDIE, UN CHOC ÉLECTRIQUE OU DES BLESSURES.**
- 8. NE LAISSEZ PAS LE CORDON PENDRE SUR LE BORD D'UNE TABLE OU D'UN COMPTOIR.**
- 9. ASSUREZ-VOUS QUE LE GOULOT EST TOUJOURS SOLIDEMENT FIXÉ EN PLACE AVANT QUE LE MOTEUR NE SOIT ALLUMÉ. N'OUVREZ PAS LE GOULOT TANDIS QUE L'EXTRACTEUR DE JUS FONCTIONNE.**
- 10. ASSUREZ-VOUS DE METTRE L'INTERRUPTEUR EN POSITION D'ARRÊT APRÈS CHAQUE UTILISATION DE VOTRE EXTRACTEUR DE JUS. ASSUREZ-VOUS QUE LE MOTEUR SOIT COMPLÈTEMENT ARRÊTÉ AVANT DE LE DÉMONTER.**
- 11. NE METTEZ PAS VOS DOIGTS OU DES OBJETS DANS L'EXTRACTEUR DE JUS S'IL FONCTIONNE. SI DE LA NOURRITURE SE COINCE DANS LA PRISE, UTILISEZ LE POUSSOIR FOURNI OU UN AUTRE MORCEAU DE FRUIT OU DE LÉGUME À POUSSER VERS LE BAS. SI CELA EST IMPOSSIBLE, ÉTEIGNEZ LE MOTEUR ET DÉMONTÉZ L'EXTRACTEUR DE JUS POUR ÉLIMINER LA NOURRITURE RESTANTE.**
- 12. NE L'UTILISEZ PAS À L'EXTÉRIEUR.**
- 13. NE PLACEZ PAS L'APPAREIL SUR OU PRÈS D'UN BRÛLEUR À GAZ OU ÉLECTRIQUE OU DANS UN FOUR CHAUFFÉ.**
- 14. N'UTILISEZ PAS L'APPAREIL AUTREMENT QUE POUR SON UTILISATION PRÉVUE.**

## **CONSERVEZ CES INSTRUCTIONS**

## TABLE DES MATIÈRES

- p.34 1. Recommandations de sécurité
- p.35 2. Précautions d'utilisation
- p.36 3. Guide interrupteur d'alimentation /  
4. Précautions avant extraction de jus
- p.38 5. Composants
- p.40 6. Démontage
- p.42 7. Assemblage et démontage des joints  
en silicone
- p.44 8. Utilisation
- p.45 9. Lorsque la Multi-vis s'arrête en cours  
d'utilisation
- p.46 10. Démontage et nettoyage
- p.47 11. Avant de demander une réparation

### Avant de lire le mode d'emploi

1. Lisez les « Recommandations de sécurité » (p. 32 à 35) et utilisez l'appareil correctement.
2. Après avoir lu le mode d'emploi, conservez-le dans un endroit sûr pour pouvoir le consulter ultérieurement.
3. N'utilisez pas l'appareil à l'étranger si le courant et la tension électrique sont différents.
4. Toute amélioration de la qualité est sujette à changement sans préavis.



### 1. Recommandations de sécurité

- 01 Assurez-vous de lire les <Recommandations de sécurité>.
- 02 Suivez les <Recommandations de sécurité>.
- 03 Les recommandations sont classées comme suit.



**Avertissement** Toute violation des mises en garde peut entraîner des blessures sévères ou la mort.

- **Ne branchez ou ne débranchez pas le cordon d'alimentation avec les mains mouillées.**
- **N'utilisez pas un courant différent de celui indiqué sur la carte de garantie et dans les caractéristiques du produit. Cela pourrait provoquer un choc électrique, un incendie et/ou une altération des performances.** Le branchement à un voltage différent pourrait réduire la durée de vie du moteur ou causer une panne.
- **Branchez entièrement la fiche du cordon d'alimentation dans la prise avec précaution.**
- **Ne pliez, n'attachez, n'endommagez ou ne tirez pas sur le cordon et ne le placez pas près d'une source de chaleur telle qu'une cuisinière. De même, ne placez aucun objet lourd sur le produit, ne le placez pas dans un lieu étroit et ne le modifiez pas.**
- **Ne modifiez le produit dans aucune circonstance.** De même, ne tentez pas de démonter ou de réparer l'appareil vous-même

- **N'insérer aucun corps étranger, comme un doigt ou une épingle en fer, dans les fentes ou les trous présents sur l'appareil.** Cela peut provoquer un incendie, un choc électrique, une blessure et/ou une panne. Pour le service après-vente et la maintenance du produit, veuillez contacter le Centre de service client HUROM.

- **Lorsque la fiche secteur est endommagée, n'essayez pas de la réparer ou de la modifier vous-même, rendez-vous au centre de service après-vente ou dans une boutique.**

- **Ne mouillez pas le produit et ne l'éclaboussez pas d'eau.** Assurez-vous que de l'eau ou qu'aucun corps étranger ne pénètre l'interrupteur du d'alimentation du produit.

- **Ne touchez pas l'interrupteur d'alimentation avec les mains mouillées.**

- **Par sécurité, assurez-vous que le produit est relié à la terre en permanence.** De même, ne le raccordez pas à un tuyau de gaz, à une conduite d'eau en plastique ou à une ligne téléphonique. Assurez-vous d'utiliser la prise de terre.

- **N'essayez pas de démonter l'ensemble de la cuve ou n'insérez aucun corps étranger comme un doigt ou une cuiller à l'entrée ou à la sortie du robinet en cours d'utilisation.**

- **Ne pas utiliser à portée des enfants. Les enfants doivent être surveillés afin de s'assurer qu'ils ne jouent pas avec l'appareil.** Il existe un risque de blessure ou de panne si des enfants percutent et font tomber l'appareil par inadvertance.

- **Une personne qui ne serait pas habituée à l'utilisation du produit ne devrait pas l'utiliser elle-même.**

Toute personne présentant des troubles physiques ou mentaux ou ne possédant pas l'expérience et la connaissance de ce type de produit ne devrait pas l'utiliser sans surveillance.

- **N'utilisez pas ce produit si vous portez ou tenez un objet magnétique, comme un bracelet magnétique, par exemple.** La présence d'un objet magnétique près de l'appareil pourrait causer une panne.



**Attention** Toute violation des mises en garde peut entraîner des blessures sévères ou la mort.

- **N'utilisez pas le produit si le bloc principal ou la cuve du produit ne sont pas correctement connectés.**

- **En cas de fuite de gaz, etc. ne touchez pas au cordon d'alimentation. Ouvrez plutôt une fenêtre et ventilez soigneusement la zone.**

- **Si la vis de pression cesse de tourner durant le fonctionnement normal, appuyez sur le bouton « REV » et maintenez-le enfoncé pendant 3 à 5 secondes pour activer la rotation inverse. Après la fin complète de la rotation inverse, appuyez de nouveau sur le bouton « ON » pour reprendre le fonctionnement normal.** Si la vis continue de s'arrêter durant le fonctionnement, les pièces risquent d'être endommagées ou la performance peut être altérée à cause de la surchauffe du moteur. Si ce problème persiste, arrêtez d'utiliser l'appareil et contactez notre centre de service clients local.

- **Ne déplacez pas le bloc principal de l'appareil, ne démontez ou ne montez pas l'ensemble de la cuve ou les pièces de celle-ci en cours d'utilisation.** Assurez-vous d'interrompre toute utilisation et débrancher le cordon d'alimentation au préalable.

• **Lors de l'utilisation du produit, assurez-vous qu'une cravate, un collier, une écharpe, etc. ne se coince pas dans l'orifice d'entrée.**

• **Placez le produit sur une surface plane et stable afin de l'utiliser.**

• **Lorsque vous insérez les ingrédients dans l'ouverture, n'utilisez pas de baguette, de cuiller ou tout autre objet autre que le poussoir.**

• **N'utilisez pas l'appareil sans interruption pendant plus de 30 minutes à chaque utilisation.** Cela pourrait causer une surchauffe et une panne. Afin de l'utiliser à nouveau, arrêtez complètement le produit pendant au moins 5 minutes.

• **N'exercez pas de choc excessif sur le produit et ne le faites pas tomber.**

• **Si le produit émet des bruits inhabituels, une chaleur excessive ou de la fumée, arrêtez de l'utiliser immédiatement et contactez le Centre de service client.** L'odeur dégagée par un produit lors de sa première utilisation disparaîtra naturellement au fil du temps.

• **Débranchez la fiche du cordon d'alimentation de la prise lorsque le produit n'est pas utilisé.** De même, lorsque vous débranchez le cordon d'alimentation, assurez-vous de bien le saisir afin de le tirer.

• **Ne nettoyez pas le produit à une température égale ou supérieure à 80 °C.** Ne le mettez pas au lave-vaisselle, au sèche-vaisselle, au micro-ondes, etc. car cela pourrait causer une panne et/ou une déformation des pièces.

• **Le produit pèse environ 5,4 kg.** Lorsque vous déplacez le produit, assurez-vous de tenir fermement le bloc principal à l'aide de vos deux mains. Si vous le déplacez en ne tenant que la cuve ou les côtés du bloc principal de l'appareil, ce dernier pourrait tomber et causer une blessure physique ou une panne.

• **N'utilisez pas cet appareil ménager à des fins commerciales.** L'extraction excessive d'une quantité importante d'ingrédients peut endommager les pièces. Si vous souhaitez utiliser cet appareil à des fins commerciales, veuillez contacter le Centre de service client quant à la méthode à respecter.



## 2. Précautions d'utilisation

• **Assurez-vous de bien comprendre comment préparer les ingrédients et de les préparer correctement avant de les insérer dans l'appareil.**

- Des ingrédients mal préparés pourraient entraver le processus d'extraction et/ou endommager l'appareil.

• **Ingrédients nécessitant une attention particulière**

- Lorsque vous utilisez des ingrédients mous tels que des bananes, des kiwis mûrs et des tomates, le jus peut stagner à l'intérieur de la cuve, ce qui peut compliquer l'extraction. Veuillez ajouter des ingrédients plus fermes.

- Lorsque vous utilisez des noix, des cacahuètes, des amandes, des graines de tournesol, des pignons de pin, des haricots, etc. n'en utilisez qu'une petite quantité ou ajoutez-les avec d'autres ingrédients après les avoir trempés dans l'eau.

• **Ingrédients impossibles à presser**

- N'utilisez pas d'ingrédients qui ne peuvent être pressés tels que des graines des sésames, des grains de café, du poivre de Chine, des écorces d'arbre ou des aiguilles de pin. N'utilisez pas de poisson d'eau vaseuse, d'aiguille, de crevettes, d'escargots, de poule, etc.

- N'utilisez pas de fruits imbibés d'alcool, de miel ou de sucre (raisin, framboises, mûres, etc) ou d'enzymes (salicorne, enzymes de pin, etc.).

- N'utilisez pas d'ingrédients difficiles à presser dû à certaines caractéristiques tels que le chalef argenté, l'aloé, le cactus, le coing, l'igname, la racine de kudzu, le sucre de canne, les glands ou les pissenlits

- N'utilisez pas d'ingrédients bouillis comme des pommes de terre ou des patates douces.

- N'utilisez pas de glace obtenue par congélation de l'eau.

• **Il est recommandé de consommer le jus extrait des légumes immédiatement, si possible, et de ne pas le réfrigérer sur une période importante.**

• **N'utilisez pas ce produit afin de mouder des grains.** Cela peut provoquer des blessures ou une panne.

• **N'extrayez pas de nouveau le jus d'une pulpe qui a déjà été pressée.**

• **Ne faites pas fonctionner le produit à vide avant de presser vos ingrédients.**

• **N'insérez pas d'ingrédients dans la trémie au-delà de la limite indiquée.**

• **N'utilisez pas l'appareil sans interruption pendant plus de 30 minutes.**

- Cela pourrait causer une surchauffe et une panne. Cependant, lorsque vous utilisez l'appareil de façon continue, faites une pause de plus de 5 minutes avant de l'utiliser à nouveau.

• **N'insérez pas de baguette ou de cuiller dans le robinet de sortie de la pulpe/du jus en cours de fonctionnement.**

• **Lorsque vous insérez les ingrédients, n'utilisez rien d'autre que le poussoir.** Cela pourrait endommager les pièces ou causer une blessure physique et/ou une panne.

• **Ne touchez pas l'interrupteur d'alimentation avec les mains mouillées.**

- Cela peut provoquer un choc électrique, un court-circuit et/ou un incendie. Ne versez pas de substance étrangère sur ou près de l'interrupteur d'alimentation.

• **Utilisez le produit lorsque le couvercle à jus est ouvert.**

- Le jus peut couler vers l'arrière, à l'intérieur de la trémie, si le couvercle est ouvert lors de l'extraction.

• **Ne pas utiliser en présence d'une grande quantité d'eau ou de jus de légume dans la partie supérieure du bloc principal.**

• **Pour extraire de grands volumes à plusieurs reprises sans rencontrer de problèmes, il est important de vider régulièrement le réservoir à pulpe.**

- Si le bac à pulpe n'est pas vidé, il risque d'être poussé vers l'extérieur ou le produit peut s'arrêter de fonctionner.

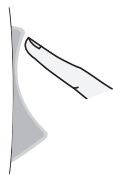
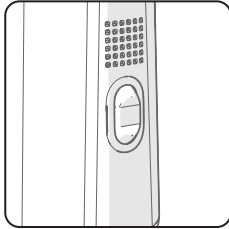
- De la pulpe peut couler le long du bloc principal lorsque vous retirez le récepteur une fois le jus terminé.

### Remarque

1. Les ingrédients passés, qui ont été stockés longtemps au réfrigérateur, ou les fruits congelés, peuvent ne produire que peu de jus, voire pas du tout.

2. Si le produit n'est pas nettoyé directement après utilisation, la pulpe pourrait sécher, ce qui complique le démontage et le nettoyage et peut également causer une altération des performances. Donc, si possible, nettoyez le produit immédiatement après utilisation.

Avant d'utiliser le produit, appuyez sur l'interrupteur d'alimentation.



[ON] : ON - Démarre le moteur et extrait le jus.



[○] : Stop - Appuyez sur ce bouton pour arrêter le fonctionnement du produit.



[REV] : REV - Appuyez sur ce bouton lorsque l'extraction s'arrête en cours de fonctionnement en raison d'une surcharge d'ingrédients.

※ L'appareil fonctionne uniquement lorsque le bouton est enfoncé, et il s'arrête lorsque le bouton est relâché.

※ Si vous avez des allergies, assurez-vous de préparer des ingrédients qui vous correspondent.

※ Pour la méthode d'utilisation ou les remarques concernant l'utilisation de l'appareil pour chaque ingrédient, veuillez consulter le livre de recettes.

※ Coupez les ingrédients à une dimension qui vous permettent de les insérer dans la trémie. Si vous souhaitez presser un grand volume ou effectuez une extraction rapide, coupez les ingrédients en plus petits morceaux avant de les insérer. Pour environ 1 kg, répétez les étapes de la rubrique « démontage et nettoyage après extraction de jus ».

※ N'insérez pas d'ingrédients dans la trémie au-delà de la limite indiquée.

※ Lorsque vous pressez des fruits mous, le jus ou les ingrédients peuvent stagner à l'intérieur de la cuve.

※ Lorsque vous pressez des fruits ou des légumes particulièrement fibreux, le jus peut être plus épais.

※ L'insertion des ingrédients suivants, qu'il est impossible de presser, peut causer des dégâts ou une panne.

- Ingrédients qui ne peuvent être pressés comme les graines de sésames, le poivre de Chine, les écorces d'arbre et les aiguilles de pin ainsi que les poissons d'eau vaseuse, les anguilles, les crevettes, les escargots, le poulpe, etc.

- Les fruits imbibés d'alcool, de miel ou de sucre (raisin, framboises, mûres, etc) ou d'enzymes (salicorne, enzymes de pin, etc.).

- Ingrédients difficiles à presser dû à certaines caractéristiques tels que le chlef argenté, l'aloé, le cactus, le coing, la banane, l'igname, la racine de kudzu, le sucre de canne, les glands ou les pissenlits.

- Les d'ingrédients bouillis comme les pommes de terre ou les patates douces.

- La glace obtenue par congélation de l'eau

※ N'utilisez pas ce produit afin de réduire des grains en poudre.

※ Référez-vous aux instructions de la section <Précautions d'utilisation> (p.35)

## 4-1. Multi-vis



- Certains ingrédients nécessitant une attention particulière lors de la préparation, veuillez vous référer aux instructions suivantes afin de les préparer.
- Lorsque vous pressez des ingrédients plusieurs fois ou que vous pressez une quantité importante d'ingrédients, assurez-vous de les découper en petits morceaux et de répéter les étapes de la rubrique « démontage et nettoyage après extraction de jus ».
- Pour une extraction de jus plus rapide, émincez les ingrédients.

### Agrumes

#### Pamplemousse, orange, citron, etc.

Préparez les ingrédients en les pelant et en les découpant en petits morceaux qui passeront dans l'entrée de la trémie. Éliminez tous les pépins et noyaux durs et impossibles à presser avant insertion.

### Fruits à la peau épaisse

#### Ananas, fruit du dragon, melon, pastèque, grenade, etc.

Préparez les ingrédients en les pelant et en les découpant en petits morceaux qui passeront dans l'entrée de la trémie. Éliminez tous les pépins et noyaux durs et impossibles à presser avant insertion.

### Fruits à pépins et noyaux

#### Raisins, pommes, pêches, kakis, prunes, cerises, poires, melons coréens, etc.

Pour les ingrédients qui contiennent des pépins ou des noyaux durs et impossibles à presser tels que les pêches, assurez-vous de retirer ceux-ci et de couper les fruits afin de n'en utiliser que la chair. Les pépins et les noyaux peuvent interrompre le fonctionnement de l'appareil ou endommager les pièces. Les pépins de pomme contiennent des toxines, veuillez donc à en enlever autant que possible. Pour les raisins, séparez chaque raisin de la grappe et nettoyez-les soigneusement. Ne pressez pas les ingrédients trop mous. Mélangez-les à d'autres fruits et légumes.

### Fruits mous

#### Extraction unique (baies, tomates cerises, ananas, etc.)

※ Nettoyez soigneusement les ingrédients et découpez-les en petits morceaux qui passent dans l'entrée de la trémie. Pour les fruits et légumes qui possèdent une queue, enlevez celle-ci au préalable.

#### Extraction mixtes (fraises, kiwis, bananes, tomates, mangues, etc.)

※ Pour les ingrédients secs et visqueux, mélangez-les avec d'autres ingrédients avant extraction. Enlevez la peau et la queue ainsi que les pépins ou noyaux le cas échéant.

### Légumes-racines

#### Carottes, betterave, gingembre, patates douces, pommes de terre, ail, etc.

Nettoyez les ingrédients à l'eau claire afin d'éliminer toute saleté et substance étrangère. Pour les ingrédients fibreux tels que le gingembre, pelez-les et coupez-les en petits morceaux. Pour les ingrédients longs, coupez-les verticalement avant extraction.

### Feuilles et tiges

#### Céleri, chou kale, chou, cresson, herbe de blé, ciboulette, etc.

Coupez les ingrédients en morceaux de 3 cm ou moins avant extraction. Les feuilles et les tiges étant des ingrédients rugueux et fibreux, il n'est pas facile de les presser et ils peuvent se coincer dans la Multi-vis.

- Lorsque vous pressez des ingrédients autres que des racines, des feuilles ou des tiges, le jus peut stagner.

### Fruits congelés

#### Fruits à la peau épaisse tels que la pastèque et les melons

Pelez les ingrédients et coupez-les en petits morceaux qui passent dans l'entrée de la trémie avant de les congeler.

#### Fruits à pépins et noyaux tels que les mangues, les pêches et le raisin

N'utilisez que des fruits congelés sans pépins et noyaux. Pour les fruits présentant des pépins ou noyaux durs et impossibles à presser tels que les mangues, les pêches et le citron, assurez-vous de les enlever et de les congeler avant utilisation. Pour les raisins, congelez la variété qui ne possède pas de pépins.

#### Fruits et légumes mous tels que les bananes, les fraises, les kiwis et les tomates

Pelez les bananes, les kiwis, etc. entièrement et coupez-les en morceaux de 3 à 4 cm de long qui passent dans l'entrée de la trémie avant de les congeler. Pour les tomates cerises, les fraises, etc. enlevez les queues avant de les congeler.

- Permet de faire des granités, des smoothies, des crèmes glacées, etc. à l'aide de fruits congelés.
- Coupez les fruits en morceaux de 2 cm et congelez-les avant utilisation.
- N'utilisez jamais l'appareil afin d'écraser ou de piler de la glace ou d'autres ingrédients.
- Le produit peut s'arrêter si une quantité excessive d'ingrédients ou de trop gros morceaux sont insérés en même temps. Veuillez donc à insérer de petites quantités à la fois (dans l'entrée supplémentaire).

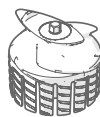
**Pièce de trémie**

Trémie



**Pièce de récepteur**

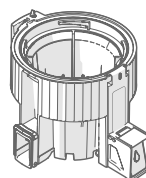
Partie supérieure de la multi-vis



Partie inférieure de la multi-vis



Récepteur

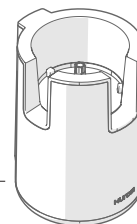


**Pièce de bloc principal**

cordon d'alimentation



Bloc principal de l'appareil



**Pièce d'accessoire**

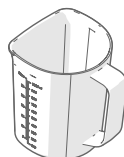
Bac à pulpe



Brosse de nettoyage



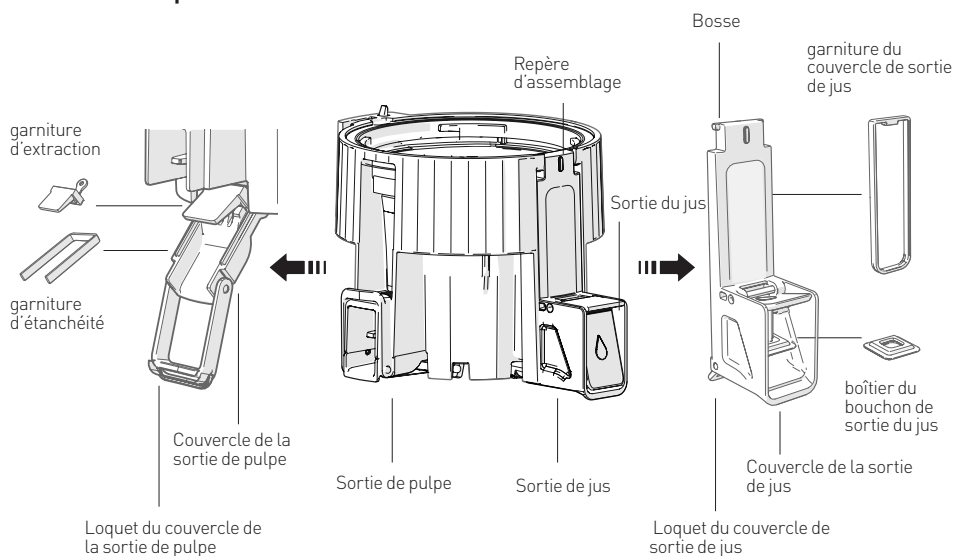
Bac à jus



Poussoir

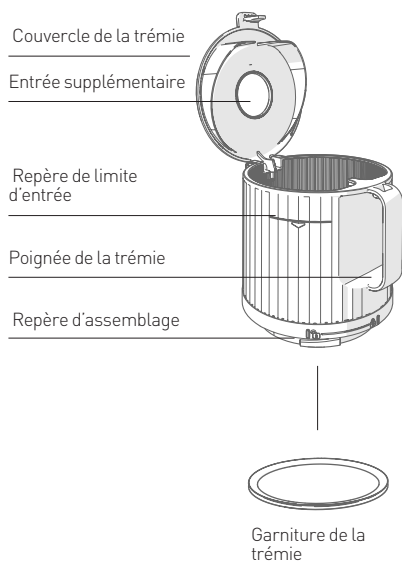


## Détails du récepteur

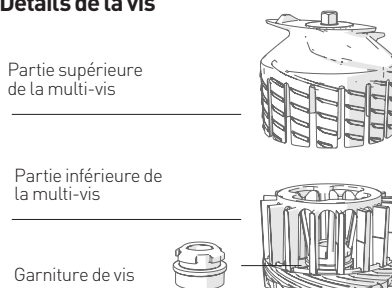


Français

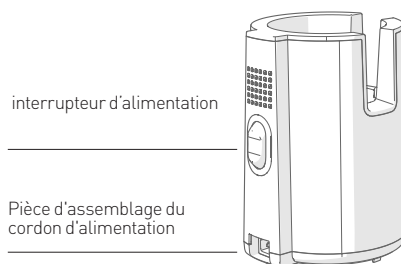
## Détails de la trémie

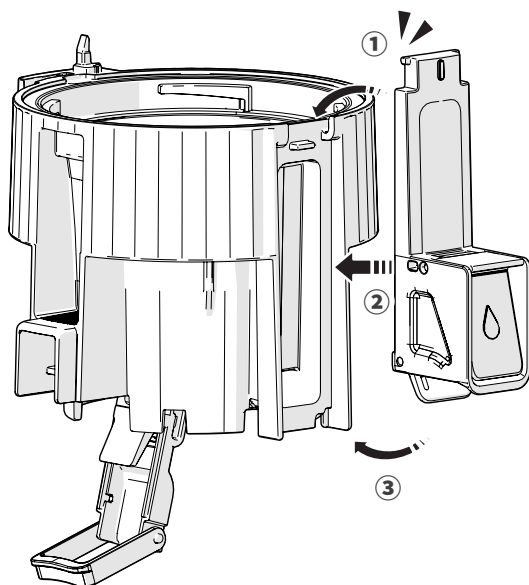


## Détails de la vis



## Détails du bloc principal

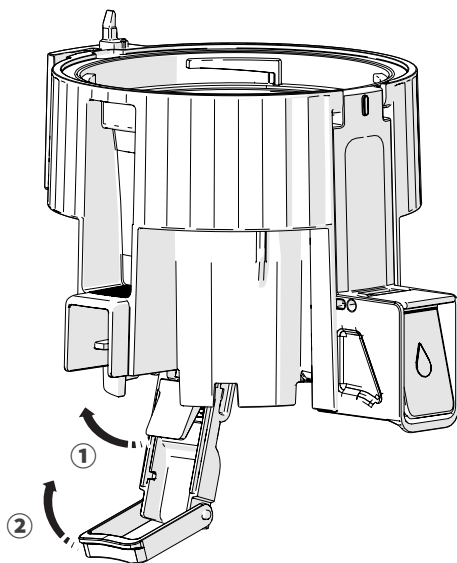


**01** Couvercle de la sortie de jus Installation

**Pour installer le couvercle de la sortie de jus, faites-le glisser dans une rainure dans la partie supérieure du récepteur, puis placez le crochet sur la partie inférieure.**

Si la garniture n'est pas correctement assemblée ou si le loquet n'est pas bien verrouillé, du jus peut fuir pendant l'extraction ou le couvercle de la sortie de pulpe peut s'ouvrir.

※ Vérifiez que la garniture du couvercle de sortie de jus et la garniture du bouchon de sortie du jus sont bien installées.

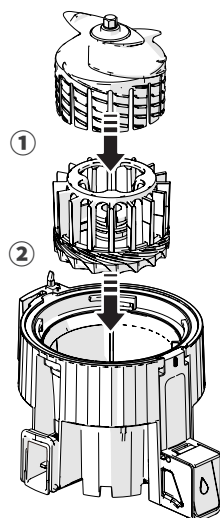
**02** Couvercle de la sortie de pulpe Installation

**Fermez le couvercle de la sortie de pulpe et accrochez l'anneau.**

Si la garniture n'est pas correctement assemblée ou si le loquet n'est pas bien verrouillé, du jus peut fuir pendant l'extraction ou le couvercle de la sortie de pulpe peut s'ouvrir.

※ Vérifiez que le boîtier d'extraction et la garniture d'étanchéité sont bien installés.

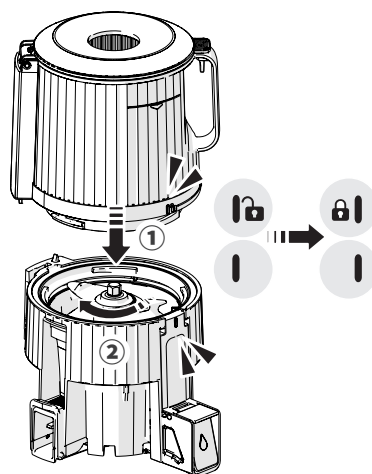
### 03 Installation de la multi-vis



Après avoir assemblé la multi-vis, placez-la à l'intérieur du récepteur et tournez-la dans le sens horaire.

Si les pièces ne sont pas bien assemblées à l'intérieur du récepteur, le produit pourrait ne pas fonctionner correctement.

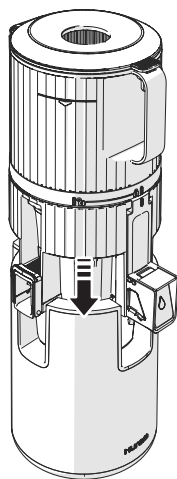
### 04 Installation de la trémie



Alignez les repères situés sur la trémie sur ceux qui se trouvent sur le récepteur, puis tournez-la dans le sens horaire pour terminer l'installation.

Français

### 05 Installation du corps



Placez l'assemblage du récepteur sur le bloc principal.

#### Remarque

**Fermez le couvercle de la trémie en l'abaissant jusqu'à entendre un clic.**

Si le couvercle de la trémie n'est pas bien fermé, il est possible que le produit ne fonctionne pas correctement.

**Au lieu de l'assembler sur le bloc principal, montez séparément l'assemblage du récepteur dans un premier temps, puis placez l'assemblage complet sur le dessus du bloc principal.**

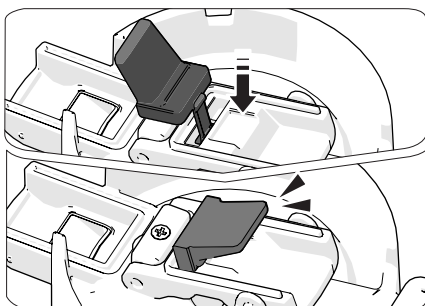
Il peut être difficile de l'installer correctement s'il n'est pas assemblé exactement comme indiqué dans le guide d'installation.

## 42 7. Assemblage et démontage des joints en silicone

※ Les joints en silicone sont des pièces qu'il est recommandé de remplacer tous les 6 à 12 mois. Vous pouvez les acheter auprès du Centre de service client.

(L'extracteur de jus peut fuir si le produit n'est pas assemblé correctement.)

### Joint d'extraction



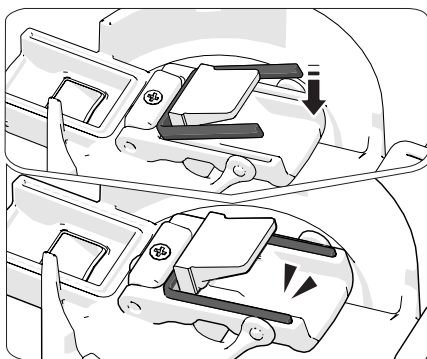
#### Démontage

Saisissez la garniture et tirez-la vers l'arrière.  
Le boîtier est muni d'un anneau qui empêche de le démonter complètement.

#### Assemblage

Après nettoyage, insérez la partie convexe du boîtier comme pour l'accrocher, puis appuyez dessus.

### Joint d'étanchéité



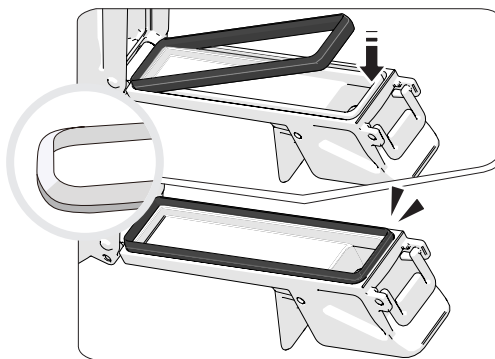
#### Démontage

Saisissez la garniture et tirez-la vers l'arrière.

#### Assemblage

Après le nettoyage, insérez d'abord un côté de la garniture comme si vous l'accrochiez.  
Insérez le reste et appuyez sur les bords extérieurs.

### Garniture du couvercle de sortie de jus



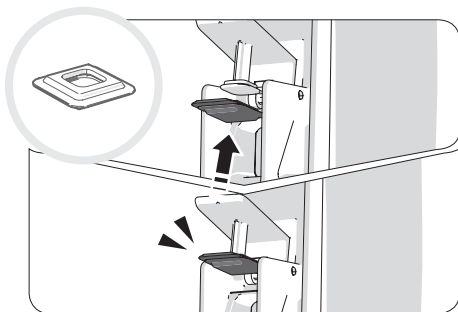
#### Démontage

Saisissez la garniture et tirez-la vers l'arrière.

#### Assemblage

Après nettoyage, assurez-vous que la surface inclinée de la garniture est orientée vers l'extérieur avant de l'insérer et de l'enfoncer.

### Joint du bouchon de sortie du jus



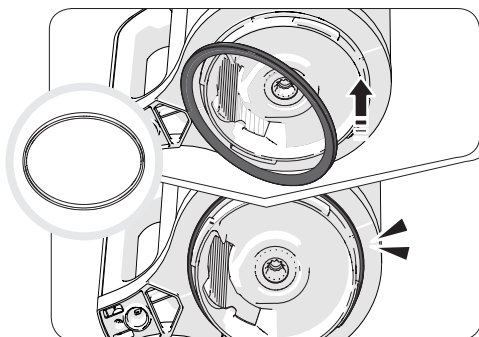
#### Démontage

Saisissez la garniture et tirez-la vers l'arrière.

#### Assemblage

Après le nettoyage, insérez d'abord un côté de la garniture comme si vous l'accrochiez. Insérez le reste et appuyez sur les bords extérieurs.

### Garniture de la trémie



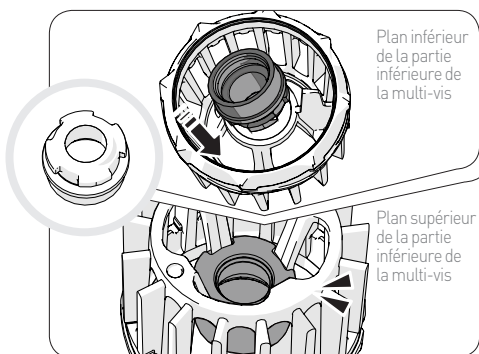
#### Démontage

Saisissez la garniture et tirez-la vers l'arrière.

#### Assemblage

Après le nettoyage, insérez d'abord un côté de la garniture comme si vous l'accrochiez. Insérez le reste et appuyez sur les bords extérieurs.

### Garniture de vis

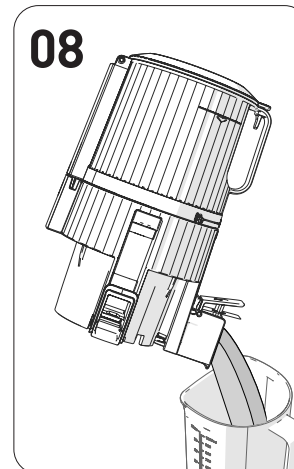
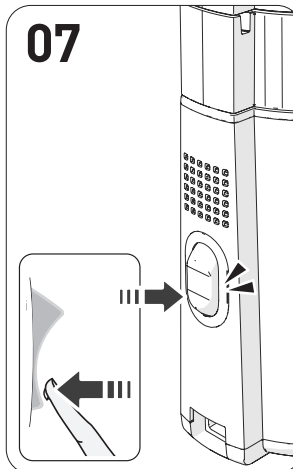
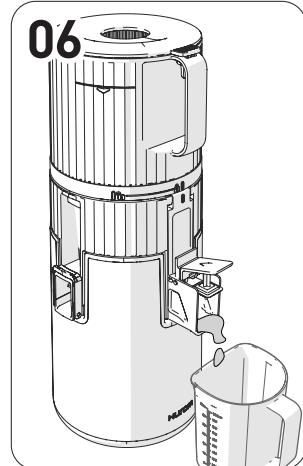
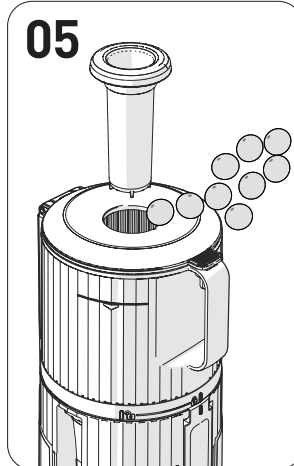
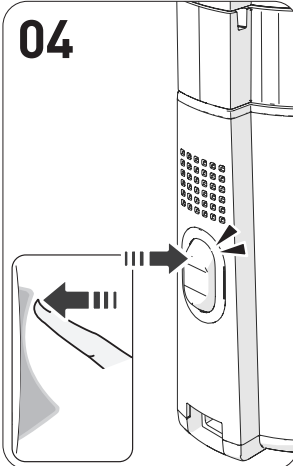
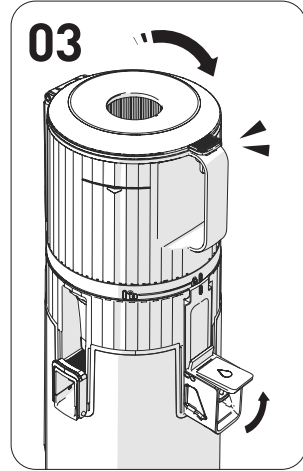
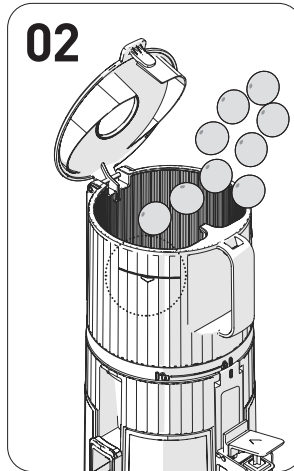
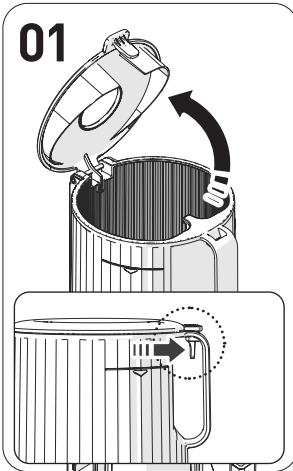


#### Démontage

Tirez sur un côté pour l'extraire par le bas.

#### Assemblage

Après nettoyage, vérifiez la direction et insérez-le dans la partie inférieure de la multi-vis comme pour accrocher un côté. Insérez le boîtier et appuyez dessus de manière à ce qu'aucune pièce ne soit pliée.



### 01 Ouvrez le couvercle de la trémie.

① Tirez sur le levier du couvercle de la trémie pour l'ouvrir. Insérer une quantité excessive d'ingrédients peut exercer une trop forte pression sur le produit.

### 02 Ajoutez des ingrédients jusqu'au repère de la trémie.

① Ingrédients mous : mélangez-les avec d'autres ingrédients avant extraction.

### 03 Fermez le couvercle de la trémie en laissant le bouchon de sortie du jus ouvert.

① Avant d'appuyer sur le bouton ON, mettez en place le gobelet à jus.  
② Le jus peut couler vers l'arrière, à l'intérieur de la trémie, si le couvercle est ouvert lors de l'extraction. Si le jus ne coule pas même une fois le bouchon de sortie du jus ouvert, ouvrez le couvercle de la trémie et videz-en le contenu.

### 04 Appuyez sur l'interrupteur d'alimentation afin de commencer à utiliser le produit.

① Le « clic » émis lors de l'utilisation du produit est produit lorsque l'ensemble de la cuve et le moteur sont verrouillés l'un à l'autre.

### 05 Afin d'ajouter d'autres ingrédients en cours d'utilisation, utilisez l'ouverture additionnelle ou ouvrez le couvercle de la trémie.

① Lorsque le couvercle de la trémie est ouvert, l'appareil s'arrête.  
② N'utilisez aucun objet en dehors du poussoir fourni.  
③ Dans le cas où la Multi-vis tourne mais que les ingrédients ne sont pas broyés dans la trémie lors de l'extraction, utilisez le poussoir afin de faire descendre les ingrédients.

### 06 Laissez l'appareil fonctionner pendant environ 1 minute après que les ingrédients sont passés par la trémie.

① L'appareil presse et broie les ingrédients lentement et il faut donc un peu de temps afin que le dernier ingrédient soit pressé.  
② Éliminer la pulpe restante en faisant fonctionner l'appareil après extraction facilite le retrait de la trémie et le nettoyage des pièces.  
③ Il est facile d'éliminer la pulpe résiduelle en alternant plusieurs fois une rotation inverse et une rotation normale.

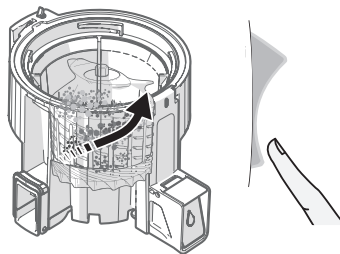
### 07 Une fois l'extraction du jus et l'élimination de la pulpe terminés, appuyez sur l'interrupteur d'alimentation afin d'arrêter l'appareil.

① L'appareil s'arrête 3 secondes après que vous avez appuyé sur l'interrupteur d'alimentation.

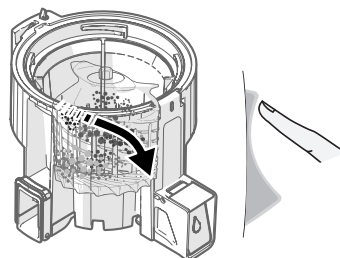
### 08 Versez le jus restant en inclinant la cuve vers l'avant.

① Pour les jus épais et concentrés, de tomates, par exemple, le jus pourrait rester coincé dans la cuve.  
② Lorsque vous détachez le récepteur, de la pulpe peut s'écouler du bloc principal de l'appareil en fonction des ingrédients.

01



02



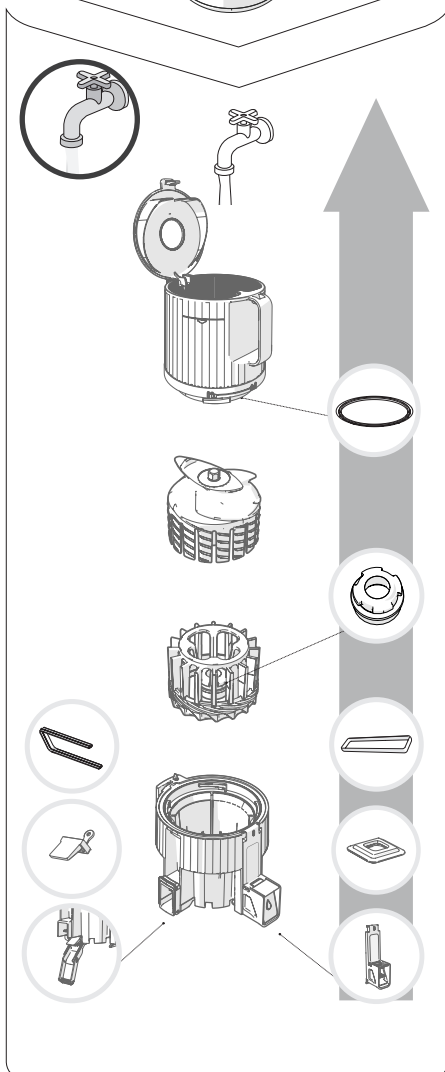
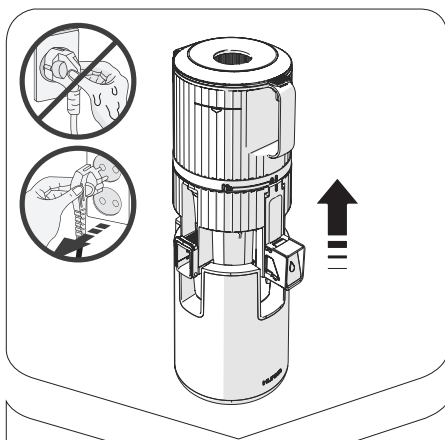
### 01 Appuyez sur le bouton [REV] en le maintenant enfoncé pendant 3 à 5 secondes puis relâchez-le, et recommencez cette action 2 ou 3 fois.

Le bouton [REV] permet d'évacuer le reste d'ingrédients accumulés. La rotation inverse se produit uniquement lorsque le bouton est enfoncé, tandis que la vis s'arrête lorsque le bouton est relâché.

02 Une fois que la Multi-vis est complètement arrêtée après une rotation inverse, appuyez brièvement sur l'interrupteur d'alimentation afin de reprendre l'extraction. En cas d'extraction ou de rotation inverse, assurez-vous d'appuyer sur l'interrupteur d'alimentation une fois que la Multi-vis est complètement arrêtée.

#### Remarque

Si l'appareil ne fonctionne pas même suite à l'opération décrite ci-dessus, débranchez le cordon d'alimentation de la prise, démontez la cuve, lavez-la et utilisez-la de nouveau. Du fait de ses caractéristiques, le moteur ne s'arrêtera pas immédiatement mais continuera de tourner lentement dans la même direction avant de s'arrêter complètement.



**\* Une fois l'appareil complètement arrêté, débranchez le cordon d'alimentation de la prise avec des mains sèches. Même une fois le produit arrêté, le moteur continuera de fonctionner lentement. Attendez environ 3 secondes avant de retirer la cuve.**

**01** Retirez l'ensemble de la cuve du bloc principal de l'appareil. Faites tourner la trémie afin de l'ouvrir puis retirez successivement chacune des pièces afin de les désassembler.

**02** Nettoyez les pièces à l'eau claire avec une brosse.

**03** Pour nettoyer le récepteur, commencez par enlever le couvercle de la sortie de jus, puis ouvrez le couvercle de la sortie de pulpe et le bouchon de sortie de jus. Vous pouvez ainsi procéder à un nettoyage minutieux.

**04** Nettoyez le bloc principal de l'appareil à l'aide d'un chiffon humide ou d'un chiffon doux.

**05** Retirez les joints en silicone et nettoyez-les après utilisation.  
- Des résidus peuvent rester coincés.  
(Garniture de la trémie, boîtier du bouchon de sortie de jus, garniture d'extraction, garniture d'étanchéité, Garniture de vis, garniture du couvercle de sortie de jus)

**06** Vous pouvez stériliser les pièces en les trempant dans du bicarbonate de soude, de l'acide citrique ou du vinaigre dilué dans de l'eau chaude.

**\* Si vous ne nettoyez pas le produit immédiatement après utilisation, cela pourrait engendrer la corrosion ou la coloration des pièces en acier inoxydable à cause du sel ou de la pulpe des ingrédients. De même, des contaminants pourraient sécher et se coincer à l'intérieur, ce qui complique le démontage et le nettoyage des pièces et réduire les performances de l'appareil. Assurez-vous de le nettoyer et de le laisser sécher à l'air immédiatement après utilisation puis de l'entreposer dans un endroit propre. Pour un stockage long, utilisez une brosse pour nettoyer l'appareil. Ne nettoyez pas les pièces à l'eau trop chaude ou bouillante et n'utilisez pas d'éponge de nettoyage, d'éponge en acier ou autres outils abrasifs ou coupants. Ne les lavez pas au lave-vaisselle et ne les placez dans un sèche-vaisselle.**

## 11. Avant de demander une réparation

Veillez vérifier les points suivants avant de demander une réparation. Si vous avez besoin d'une assistance après-vente ou avez des questions concernant l'utilisation de ce produit, veuillez contacter notre Centre de service clients au <http://www.globalhurom.com>. Lorsque vous souhaitez obtenir une assistance ou des pièces auprès du service après-vente, veuillez vérifier le nom du modèle, ainsi que le numéro de série du fabricant ou le numéro figurant sous le code-barres.

47

<p><b>01. Lorsque l'appareil se met en route, il émet un « clic ».</b></p>	<p>Il s'agit du son du moteur qui se joint à la Multi-vis. Il ne s'agit pas d'une dysfonction.</p>
<p><b>02. Il ne fonctionne pas uniquement avec le bloc principal de l'appareil.</b></p>	<p>Vérifiez si l'ensemble de la cuve et le bloc principal de l'appareil sont correctement assemblés. Assurez-vous de couper l'alimentation lorsque vous monter ou démonter le produit.</p>
<p><b>03. Assemblez-le de façon à ce qu'il soit aligné au repère de sécurité.</b></p>	<p>Vérifiez que l'appareil a été assemblé selon le repère.</p>
<p><b>04. L'appareil ne fonctionne pas.</b></p>	<p>Vérifiez que le cordon d'alimentation est correctement branché. L'appareil peut ne pas fonctionner après une période de temps important (30 minutes ou plus). Il fonctionnera normalement une fois que la température du bloc principal de l'appareil (moteur) aura descendu.</p>
<p><b>05. L'appareil s'arrête au cours d'une utilisation normale.</b></p>	<p>Vérifiez que la trémie est correctement assemblée. Si la trémie n'est pas assemblée correctement, l'appareil ne fonctionnera pas. Il ne fonctionnera que lorsque le symbole de verrouillage de la cuve et que le repère d'assemblage de la trémie sont face à face. Vérifiez si l'appareil a été assemblé conformément aux instructions du guide d'assemblage. Référez-vous à la page du guide d'assemblage (p. 41). <b>Un trop grand nombre d'ingrédients ou des ingrédients particulièrement épais ont-ils été insérés ?</b> Référez-vous à la page 45 de ce mode d'emploi afin d'activer la rotation inverse. <b>Par sécurité, un minuteur, qui s'arrête automatiquement au bout de 5 minutes, se met en route. Appuyez à nouveau sur l'interrupteur d'alimentation afin de commencer à utiliser le produit.</b></p>
<p><b>06. L'appareil présente des fissures causées par une Multi-vis ou au-dessus de la Multi-vis.</b></p>	<p>Lors du moulage, des repères incurvés sont réalisés sur les côtés et sur le dessus de la Multi-vis en plus des marques droites. Ces marques sont normales et n'affectent en aucun cas l'utilisation de l'appareil.</p>
<p><b>07. Le jus coule par le robinet de sortie immédiatement après l'insertion des ingrédients.</b></p>	<p>Selon les ingrédients utilisés, une petite quantité de jus peut couler par le robinet de sortie. Il ne s'agit pas d'un défaut de l'appareil mais plutôt d'un phénomène dû aux caractéristiques des ingrédients. L'écoulement s'arrêtera lorsque le produit commencera à fonctionner. Si l'écoulement se poursuit, contactez le Centre de service client.</p>
<p><b>08. Le jus s'écoule vers l'arrière de la trémie.</b></p>	<p>Avez-vous utilisé l'appareil avec le couvercle fermé ? Lorsque le bouchon de sortie du jus est fermé, il est possible que le jus s'écoule vers l'arrière de la trémie. Si le jus ne coule pas même une fois le bouchon de sortie du jus ouvert, ouvrez le couvercle de la trémie et videz-en le contenu.</p>
<p><b>09. Le jus s'écoule entre la trémie et la cuve ou entre la cuve et le bloc principal de l'appareil.</b></p>	<p>La garniture de la trémie ou la garniture de vis est-elle installée correctement ? Du jus va fuir si la garniture de la trémie ou la garniture de vis a été installée à l'envers ou de façon incomplète. Vérifiez que la garniture est installée correctement.</p>
<p><b>10. La trémie ne s'ouvre pas.</b></p>	<p>Une quantité excessive de pulpe pourrait être coincée à l'intérieur. Faites fonctionner l'appareil afin de vider la pulpe ou répéter le processus d'activation de la rotation inverse pendant environ 10 secondes puis 2 ou 3 fois. La trémie s'ouvrira alors sans aucun problème. Une substance étrangère ou un objet dur (tels que des pépins, comme ceux du kaki) ont-ils été introduits dans l'appareil ? Si une substance étrangère ou qu'un objet dur a été introduit, des pièces pourraient être endommagées plus sérieusement si vous effectuez une rotation inverse. Contactez plutôt le Centre de service client et effectuez une demande de service après-vente.</p>
<p><b>11. La cuve tremble en cours d'utilisation.</b></p>	<p>L'appareil peut trembler légèrement à cause des mouvements du moteur du bloc principal. Selon les caractéristiques des ingrédients (durs ou résistants), des mouvements de diverses magnitudes sont générés. Il ne s'agit pas d'un dysfonctionnement mais d'un phénomène naturel observé avec la rotation de la Multi-vis. Par rapport à des ingrédients qui contiennent bien plus d'eau, des ingrédients plus durs peuvent faire trembler l'appareil davantage (carottes, pommes de terre, radis, betterave, chou-rave, etc.)</p>
<p><b>12. Un bruit inhabituel se fait entendre en cours d'utilisation.</b></p>	<p>Il s'agit d'un bruit naturel produit lorsque les ingrédients sont broyés. Si les ingrédients sont durs ou résistants, comme les pommes, les carottes, le chou, le céleri, la betterave, etc. L'extraction peut être plus bruyante que lorsque vous broyez des ingrédients plus mous.</p>

## ÍNDICE

- p.48 1. Precauciones para un uso seguro
- p.49 2. Precauciones durante el uso
- p.50 3. Guía del interruptor de encendido
- 4. Precauciones antes de exprimir
- p.52 5. Componentes
- p.54 6. Cómo realizar el montaje
- p.56 7. Montaje y desmontaje de silicona
- p.58 8. Modo de uso
- p.59 9. Cuando el Multi-tornillo se detiene durante el uso
- p.60 10. Cómo desmontar y limpiar
- p.61 11. Antes de enviar una solicitud de reparación

## Antes de leer el manual

1. Lea las "Instrucciones de uso seguro" (pág. 48-49) y asegúrese de usar el aparato de forma correcta.
2. Cuando termine de leer el manual, guárdelo en un lugar de fácil acceso para futuras consultas.
3. Si se encuentra en el extranjero, no conecte el aparato a una fuente de suministro eléctrico con una tensión diferente.
4. Todas las mejoras en materia de calidad pueden estar sujetas a cambios sin previo aviso.



### 1. Precauciones para un uso seguro

- 01 Asegúrese de leer <Precauciones para un uso seguro>.
- 02 Siga las <Precauciones para un uso seguro>.
- 03 Las precauciones se clasifican de la siguiente manera.



**Advertencia** La violación de cualquiera de las advertencias puede causar una lesión grave o la muerte.

- **No inserte ni tire del cable de alimentación con las manos mojadas.**
- **No utilice una corriente distinta a la especificada en la tarjeta de garantía y en las especificaciones del producto. Puede provocar una descarga eléctrica, un incendio y/o una disminución del rendimiento.** La conexión a un voltaje diferente puede reducir la vida útil del motor o provocar un mal funcionamiento.
- **Inserte firmemente el enchufe del cable de alimentación hasta el fondo del enchufe.**
- **No doble, ate, dañe o tire a la fuerza del cable de alimentación, ni lo coloque cerca de zonas con temperaturas elevadas, como una estufa de gas. Tampoco se debe colocar ningún objeto pesado encima del producto, meterlo en un espacio estrecho ni alterarlo.**

- **No lo remodele bajo ninguna circunstancia.** Tampoco intente desarmarlo o repararlo usted mismo.

- **No introduzca ningún objeto extraño, como un dedo o un alfiler de hierro, en ninguna grieta o agujero del cuerpo del producto.** Podría causar un incendio, descargas eléctricas, lesiones o un fallo en el aparato. Para el servicio posventa y el mantenimiento del producto, póngase en contacto con el Centro de Atención al Cliente de HUROM.

- **Cuando el enchufe esté dañado, no lo repare o remodele usted mismo, en su lugar, acuda a un centro de servicio posventa o a una sucursal.**

- **No moje ni salpique agua en el cuerpo del producto.** Asegúrese de que no entre agua o materiales extraños en el interruptor de encendido del producto.

- **No controle el interruptor de encendido con las manos mojadas.**

- **Por seguridad, conecte la toma de corriente a tierra en todo momento.** Además, no lo conecte a una tubería de gas, una tubería de agua de plástico o una línea telefónica. Asegúrese de utilizar una toma de corriente con conexión a tierra.

- **No intente desmontar ninguna pieza de la cámara ni introduzca objetos extraños, como un dedo o una cuchara, en la entrada o la salida del zumo durante el funcionamiento.**

- **No lo deje al alcance de los niños. Los niños deben ser supervisados cuidadosamente para que no jueguen con este aparato.** Existe el riesgo de que se produzcan lesiones o un mal funcionamiento si los niños lo golpean accidentalmente y lo tiran.

- **Una persona que no esté familiarizada con el manejo del producto no debe utilizarlo sola.** Cualquier persona con problemas físicos o mentales o que no tenga la experiencia y conocimientos no debe utilizarlo sin que esté presente un supervisor.

- **No utilice el producto mientras lleve puestos o sostenga objetos con fuerza magnética (por ejemplo, pulseras magnéticas).** Colocar objetos magnéticos cerca del producto puede provocar un mal funcionamiento de este.



**Precaución** La violación de cualquiera de las precauciones puede causar una lesión grave o la muerte.

- **No utilice el producto a menos que el set del cuerpo del producto y el de la cámara estén conectados de forma segura.**

- **Si hay una fuga de gas, etc., no toque el cable de alimentación, en su lugar, abra las ventanas y ventile bien la zona.**

- **Si las cuchillas del extractor dejan de funcionar durante el uso normal del aparato, mantenga pulsado el botón rev durante 3-5 segundos para activar el giro inverso. cuando se detenga totalmente el giro inverso, pulse el botón de encendido (on) para volver al funcionamiento normal.**

Si las cuchillas siguen deteniéndose durante el uso, podría haber piezas dañadas o problemas de rendimiento por sobrecalentamiento del motor. Si el problema persiste, deje de usar el aparato y póngase en contacto con el centro de atención al cliente de su zona.

- **No mueva el cuerpo del producto, ni desmonte o monte la cámara o las piezas durante el funcionamiento.**

Asegúrese de detener el funcionamiento y desconectar el cable de alimentación antes de hacerlo.

● **Cuando utilice el producto, tenga cuidado de que no entre en el aparato una corbata, un collar largo, una bufanda, etc.**

● **Coloque este producto en una superficie plana y estable para su uso.**

● **Cuando introduzca los ingredientes, no utilice un palillo, una cuchara ningún otro objeto duro que no sea el prensador.**

● **No utilice el producto durante más de 30 minutos seguidos cada vez.** Puede sobrecalentar el motor y provocar un mal funcionamiento del aparato. Para volver a utilizarlo, pare completamente el aparato durante unos 5 minutos antes de usarlo.

● **No ejerza ningún golpe excesivo ni deje caer el producto.**

● **Si el aparato produce algún sonido inusual, calor excesivo o humo, deje de utilizarlo inmediatamente y póngase en contacto con el Centro de Atención al Cliente.** El olor que se experimenta al utilizar un producto nuevo desaparecerá naturalmente con el tiempo.

● **Desconecte el cable de alimentación de la toma de corriente cuando no esté usando el aparato.** Además, cuando tire del cable de alimentación, asegúrese de agarrar el enchufe para tirar de él.

● **No limpie el producto a una temperatura de 80°C o superior.** No lo meta en un lavavajillas, secadora, microondas, etc. Puede causar un mal funcionamiento y/o la deformación de las piezas.

● **El producto pesa aproximadamente 5.4 kg. Cuando mueva el producto, asegúrese de sujetar firmemente el cuerpo del producto con ambas manos.** Si lo mueve sujetando solo la cámara o los lados del cuerpo del producto, podría caerse y provocar una lesión corporal o un mal funcionamiento.

● **No utilice este producto de uso doméstico para fines comerciales. Añadir una cantidad excesiva de ingredientes puede causar daños en las piezas.** En caso de que se vaya a utilizar con fines comerciales, póngase en contacto con el Centro de Atención al Cliente sobre el método de uso.



## 2. Precauciones durante el uso

● **Asegúrese de entender bien cómo preparar los ingredientes y de prepararlos adecuadamente antes de introducirlos.**

- Los ingredientes mal preparados pueden dificultar el proceso de extracción y/o causar daños en el producto.

● **Ingredientes que necesitan un especial cuidado**

- Si utiliza solo ingredientes blandos, como plátanos, kiwis maduros y tomates, el zumo puede estancarse en el interior de la cámara, lo que puede dificultar la extracción del zumo. Por favor, añada otros ingredientes que no sean demasiado blandos.

- Cuando introduzca nueces, cacahuets, almendras, semillas de girasol, piñones, judías, etc., añada solo una pequeña cantidad o añádalos con otros ingredientes después de haberlos remojado en agua.

● **Ingredientes que no se pueden exprimir**

- No introduzca ingredientes que no puedan ser exprimidos, como semillas de sésamo, granos de café,

chiles chinos, cortezas de árboles y agujas de pino. No introduzca peces, anguilas, gambas, caracoles, calamares, etc.

- No introduzca frutas empapadas en alcohol, miel o azúcar (uvas, frambuesas, moras, etc.) ni enzimas (salicornia, pino piñonero, etc.).

- No introduzca ingredientes cuyas características hacen que sea difícil exprimirlos, como bayas de plata, aloe, cactus, membrillo, boniatos, raíz de kudzu, caña de azúcar, bellotas y dientes de león.

- No introduzca ingredientes hervidos, como patatas y boniatos cocidos.

- No introduzca hielo hecho con agua congelada.

● **Se recomienda consumir el zumo de verduras inmediatamente, si es posible, y no refrigerarlo durante un largo periodo de tiempo.**

● **No utilice este producto para pulverizar semillas. Puede causar daños o un mal funcionamiento.**

● **No vuelva a extraer zumo de la pulpa que ya ha sido exprimida.**

● **No realice ninguna prueba de funcionamiento del producto antes de introducir los ingredientes.**

● **No introduzca ingredientes en la tolva por encima de la marca de límite indicada.**

● **No lo utilice durante más de 30 minutos seguidos.**

- Puede sobrecalentar el motor y provocar un mal funcionamiento del aparato. Sin embargo, cuando lo utilice de forma continua, haga una pausa en el funcionamiento y utilícelo después de un descanso de más de 5 minutos.

● **No introduzca un palillo o una cuchara en la salida de zumo/pulpa durante el funcionamiento.**

● **Cuando introduzca los ingredientes, utilice únicamente el prensador.** Puede dañar las piezas o causar una lesión corporal y/o un mal funcionamiento.

● **No accione el interruptor de encendido con las manos mojadas.**

- Puede provocar una descarga eléctrica, un cortocircuito y/o un incendio. No introduzca sustancias extrañas en el interruptor de encendido o cerca de él.

● **Utilícelo con la tapa de zumo abierta.**

- El zumo puede subir hacia la tolva si la tapa está cerrada mientras se hace el zumo.

● **No utilice el producto cuando haya una gran cantidad de agua o jugo de verduras en la parte superior del cuerpo.**

● **Para garantizar una extracción sin problemas de grandes volúmenes varias veces, es importante vaciar regularmente el depósito de pulpa.**

- Si el depósito de pulpa no se vacía, puede salirse o el funcionamiento del producto puede detenerse.

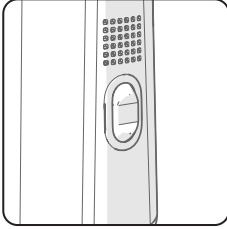
- La pulpa puede gotear sobre el cuerpo del aparato cuando se extrae la cámara después de terminar la extracción de zumo.

### Note

1. Los ingredientes marchitos, que han estado almacenados durante mucho tiempo en el frigorífico, o las frutas congeladas solo pueden producir una pequeña cantidad de zumo o ninguna.

2. Si el producto no se limpia inmediatamente después de su uso, la pulpa puede secarse, lo que dificulta el desmontaje y la limpieza, y a su vez puede perjudicar al rendimiento. Por lo tanto, si es posible, límpielo inmediatamente después de su uso.

Antes de utilizar el producto, presione el interruptor de encendido.



[ON]: Encendido (ON): Pone en marcha el motor y hace zumo.



[●]: Parada (Stop): púlselo para detener el aparato mientras está en funcionamiento



[REV]: Giro inverso (REV): púlselo si el aparato se detiene mientras está en funcionamiento por sobrecarga de material.  
\* El aparato funciona solo cuando se pulsa el botón y se detiene cuando se deja de pulsar

※ Si tiene alguna alergia, asegúrese de elegir los ingrediente adecuados para su cuerpo cuando prepare los ingredientes.

※ Para el método y las notas sobre el uso del aparato para cada ingrediente, consulte el libro de recetas.

※ Prepare los ingredientes en tamaños que puedan introducirse en la tolva. Si desea exprimir un gran volumen o realizar una extracción rápida, corte los ingredientes en trozos más pequeños antes de introducirlos. Cada aproximadamente 1 kg, repita el paso de «desmontar y limpiar después de exprimir» para su uso.

※ No introduzca ingredientes en la tolva por encima de la marca de límite indicada.

※ Al exprimir frutas blandas, el zumo de los ingredientes puede estancarse dentro de la cámara.

※ Al exprimir frutas y verduras fibrosas, el zumo puede espesarse.

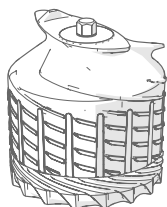
※ La introducción de los siguientes ingredientes, imposibles de exprimir, puede provocar daños o un mal funcionamiento.

- Ingredientes que no pueden ser exprimidos como semillas de sésamo, granos de café, chiles chinos, cortezas de árboles y agujas de pino, así como peces de fango, anguilas, gambas, caracoles, calamares, etc.
- Frutas empapadas en alcohol, miel o azúcar (uvas, frambuesas, moras, etc.) ni enzimas (salicornia, pino piñonero, etc.).
- Ingredientes cuyas características hacen que sea difícil exprimirlos, como bayas de plata, aloe, cactus, membrillo, plátanos boniatos, raíz de kudzu, caña de azúcar, bellotas y dientes de león.
- Ingredientes hervidos, como patatas y boniatos cocidos.
- Hielo hecho de agua congelada

※ No lo utilice para pulverizar semillas.

※ Consulte las instrucciones de <Precauciones durante el funcionamiento> (consulte la p. 49).

## 4-1. Multi-tornillo



- Como ciertos ingredientes necesitan un cuidado adicional durante la preparación, consulte las siguientes instrucciones sobre cómo preparar los ingredientes.
- Cuando haga zumo varias veces o en grandes cantidades, asegúrese de cortar los ingredientes en trozos pequeños, y luego repita el paso «desmontar y limpiar después de exprimir».
- Para hacer zumo más rápidamente, pique los ingredientes en trozos finos.

### Cítricos

#### Pomelos, naranjas, limones, etc.

Prepare los ingredientes pelándolos y cortándolos en trozos más pequeños para que quepan en la entrada de la tolva. Retire todas las semillas duras y no masticables antes de introducirlo.

### Frutas con piel gruesa

#### Piñas, fruta del dragón, melones, sandías, granadas, etc.

Prepare los ingredientes pelándolos y cortándolos en trozos más pequeños para que quepan en la entrada de la tolva. Retire todas las semillas duras y no masticables antes de introducirlo.

### Frutas con semillas

#### Uvas, manzanas, melocotones, caquis, ciruelas, cerezas, peras, melones, etc.

En el caso de ingredientes que contengan semillas duras e imposibles de masticar o semillas de gran tamaño, como las de los melocotones, asegúrese de retirar primero las semillas y cortar y preparar solo la carne de la fruta. Las semillas duras pueden detener el funcionamiento o dañar las piezas. Las semillas de las manzanas son tóxicas, así que elimínelas en la medida de lo posible. Para las uvas, arranque cada uva del racimo después de limpiarlas bien. No exprima solo los ingredientes demasiado blandos, en su lugar, que mézclelos con otras frutas y verduras.

### Frutas blandas

#### Extracción única (bayas, tomates cherry, piñas, etc.)

※ Limpie a fondo y corte los ingredientes en trozos pequeños que puedan caber en la entrada de la tolva. En el caso de las frutas y verduras con tallos, retire primero los tallos.

#### Extracción mixta (fresas, kiwi, plátanos, tomates, mangos, etc.)

※ En el caso de los ingredientes secos y viscosos, mezclarlos con otros ingredientes para su extracción. Retire la cáscara y los tallos y también las semillas, si las hubiera.

### Hortalizas de raíz

#### Zanahorias, remolachas, jengibre, boniatos, patatas, ajo, etc.

Lave los ingredientes con agua corriente para eliminar la suciedad y otras sustancias extrañas. Para los ingredientes fibrosos, como el jengibre, pele la piel exterior y córtelo en trozos pequeños. Para los ingredientes largos, córtelos verticalmente para su extracción.

### Verduras de hoja y tallo

#### Apio, col rizada, col, perejil, hierba de trigo, cebollino, etc.

Corte los ingredientes en trozos de 3 cm o menos para su extracción. Como las verduras de hoja y de tallo son ásperas y fibrosas, no es fácil extraer el zumo y pueden quedar atrapadas en el Multi-tornillo.

• Cuando se exprimen ingredientes que no son hortalizas de raíz, de hoja y de tallo, el zumo puede estancarse.

### Fruta congelada

#### Frutas con pieles gruesas, como sandías y melones

Pele la piel exterior y corte los ingredientes en trozos más pequeños para que quepan en la entrada de la tolva y a continuación congélelos.

#### Frutas con semillas, como mangos, melocotones y uvas

Utilice solo frutas congeladas sin semillas. En el caso de las frutas que tienen semillas duras e imposibles de masticar, como los mangos, los melocotones y los limones, asegúrese de retirar las semillas y congelar las frutas antes de utilizarlas. En el caso de las uvas, congele las que no tengan semillas para utilizarlas.

#### Frutas y verduras blandas, como plátanos, fresas, kiwis y tomates)

Pele completamente los plátanos, el kiwi, etc. y córtelos en trozos de 3 a 4 cm de largo que puedan caber en la entrada y a continuación congélelos. En el caso de los tomates cherry, las fresas, etc., retire los tallos y luego congele las frutas.

- Se utiliza para hacer granizados, batidos, helados, etc. que utilizan frutas congeladas.
- Corte las frutas en trozos de 2 cm y congélelas antes de usarlas.
- Nunca lo utilice para triturar o moler hielo u otros ingredientes.
- El producto puede detenerse si se introduce una cantidad excesiva de ingredientes o piezas voluminosas a la vez, por lo que asegúrese de introducir una pequeña cantidad cada vez (en la entrada adicional).

**Pieza de la tolva**

Tolva



**Pieza de la cámara**

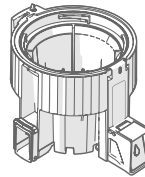
Parte superior del multitornillo



Parte inferior del multitornillo



Cámara

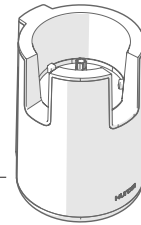


**Pieza de la base**

Cable de alimentación



Cuerpo del producto



**Pieza accesoria**

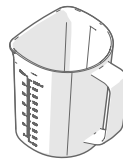
Depósito de pulpa



Cepillo de limpieza



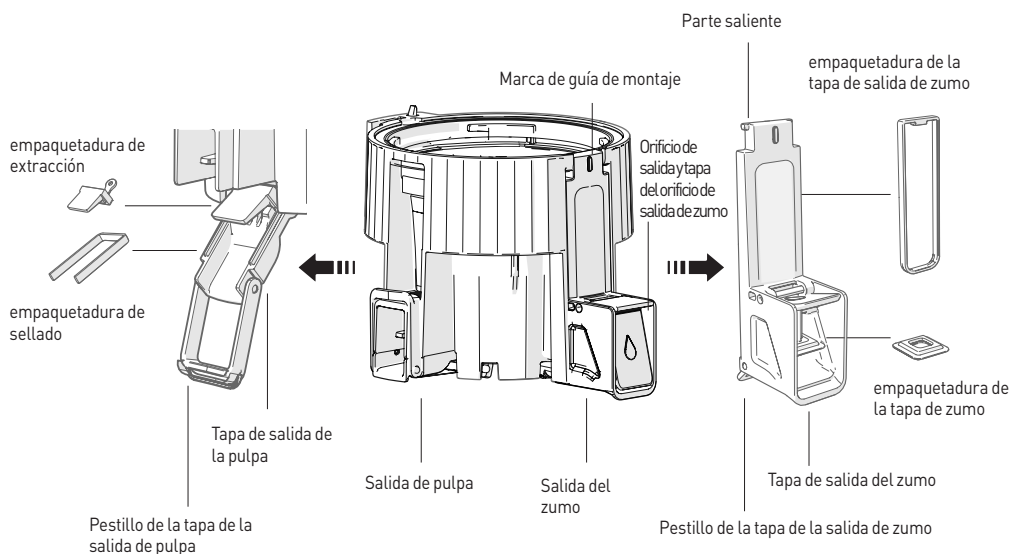
Vaso de zumo



Empujador

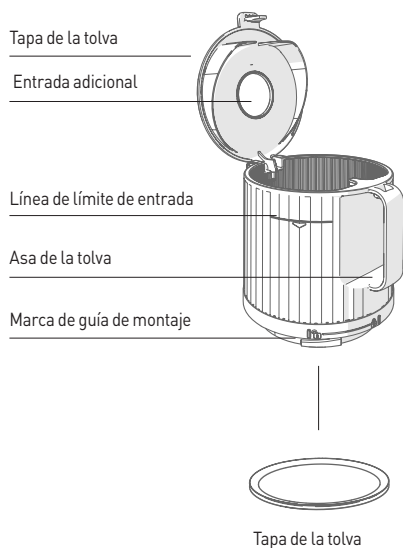


### Información de la cámara

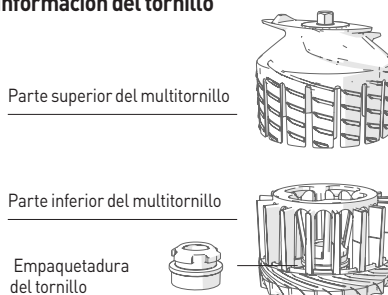


Español

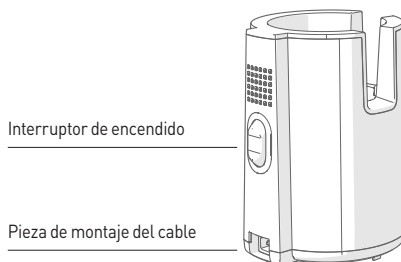
### Información de la tolva



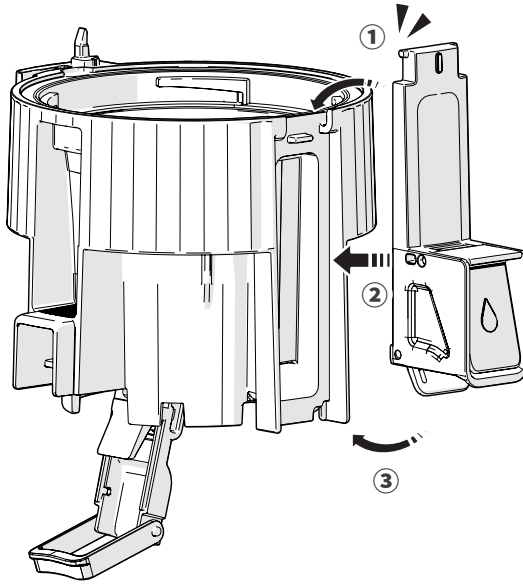
### Información del tornillo



### Información de la base



## 01 Montaje tapa de salida del zumo

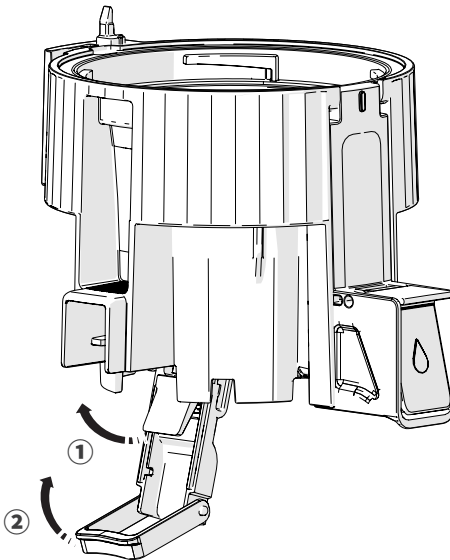


**Enganche la tapa de salida del zumo en una ranura en la parte superior de la cámara para montarla, y luego fije el gancho en la parte inferior.**

Si la empaquetadura está mal montada o el pestillo no está bien cerrado, la tapa de salida de la pulpa puede abrirse o el zumo puede gotear durante la extracción.

※ Compruebe si la empaquetadura de la tapa de salida de zumo y la empaquetadura de la tapa de zumo están instaladas.

## 02 Montaje tapa de salida de la pulpa

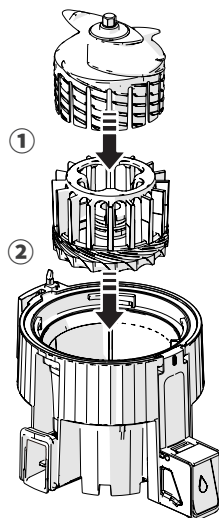


**Cierre la tapa de salida de la pulpa y enganche el anillo.**

Si la empaquetadura está mal montada o el pestillo no está bien cerrado, la tapa de salida de la pulpa puede abrirse o el zumo puede gotear durante la extracción.

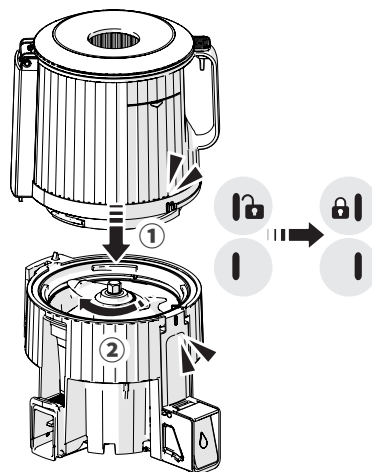
※ Compruebe si la empaquetadura de extracción y la empaquetadura de sellado están instaladas.

### 03 Montaje del multitornillo



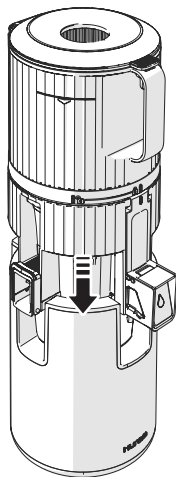
Coloque el multi-tornillo montado dentro de la cámara y gírelo en sentido horario. Si las piezas del interior de la cámara no están correctamente ensambladas, es posible que el producto no funcione correctamente.

### 04 Montaje de la tolva



Alinee las marcas de la cámara y la tolva para montarlas y, a continuación, gírela en el sentido horario para montarlas por completo.

### 05 Montaje del cuerpo



Coloque el conjunto de la cámara debidamente montado en el cuerpo del producto.

#### Nota

Baje la tapa de la tolva para cerrarla hasta que se oiga un clic.

Si la tapa de la tolva no está bien cerrada, es posible que el aparato no funcione correctamente.

En lugar de montarlo sobre el cuerpo, monte primero el conjunto de cámara por separado y, a continuación, coloque todo el conjunto sobre el cuerpo.

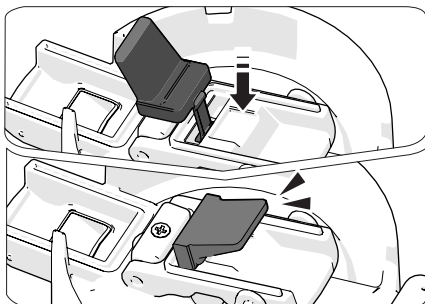
Si no se siguen las instrucciones de la guía de montaje, puede resultar difícil montarlo correctamente.

## 56 7. Montaje y desmontaje de silicona

✳ **Las juntas de silicona son consumibles y se recomienda reemplazar una vez cada 6 a 12 meses. Se pueden adquirir a través del Centro de Atención al Cliente.**

(El exprimidor puede tener fugas si el producto no está bien montado).

### Junta de extracción



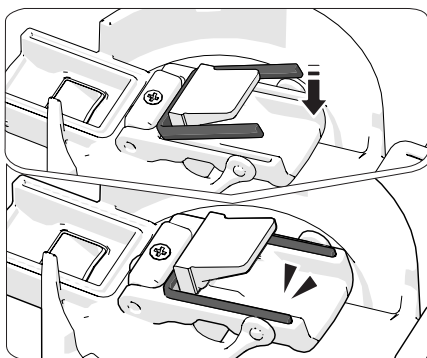
#### Desmontaje

Sujete la empaquetadura y tire de ella hacia atrás. Hay un anillo en la empaquetadura para que no se desmonte completamente.

#### Montaje

Después de limpiarla, introduzca la parte convexa de la empaquetadura como si la estuviera enganchando y, a continuación, presiónela hacia abajo.

### Junta de sellado



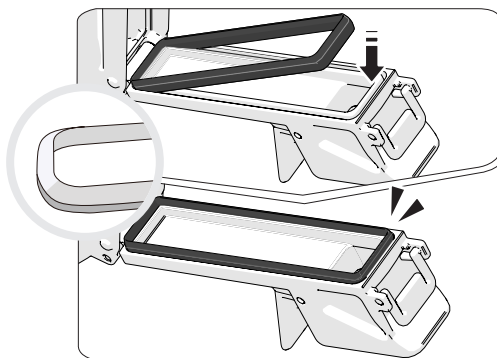
#### Desmontaje

Sujete la empaquetadura y tire de ella hacia atrás.

#### Montaje

Después de la limpieza, introduzca primero un lado de la empaquetadura como si la enganchara. Introduzca la pieza restante y presiónelos bordes circunferenciales hacia abajo.

### Empaquetadura de la tapa de salida de zumo



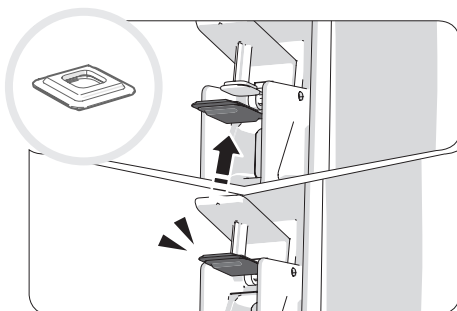
#### Desmontaje

Sujete la empaquetadura y tire de ella hacia atrás.

#### Montaje

Después de la limpieza, asegúrese de que la superficie inclinada de la empaquetadura esté orientada hacia fuera antes de introducirla y presionarla.

### Tapón de la salida de zumo



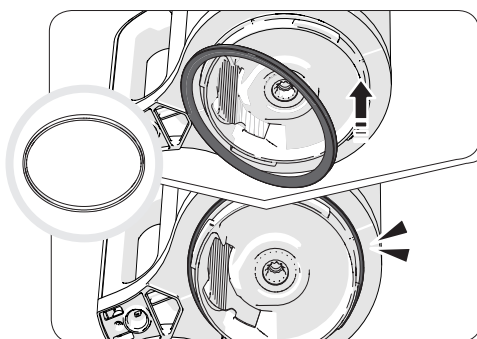
#### Desmontaje

Sujete la empaquetadura y tire de ella hacia atrás.

#### Montaje

Después de la limpieza, introduzca primero un lado de la empaquetadura como si la enganchara. Introduzca la pieza restante y presione los bordes circunferenciales hacia abajo.

### Tapa de la tolva



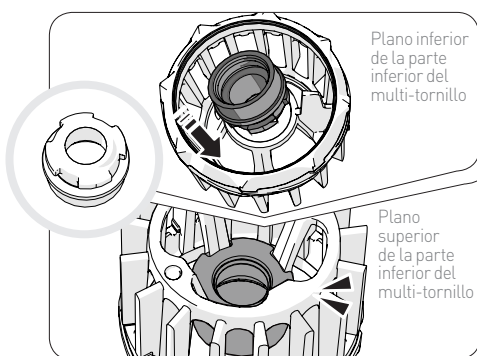
#### Desmontaje

Sujete la empaquetadura y tire de ella hacia atrás.

#### Montaje

Después de la limpieza, introduzca primero un lado de la empaquetadura como si la enganchara. Introduzca la pieza restante y presione los bordes circunferenciales hacia abajo.

### Embalaje de la hélice

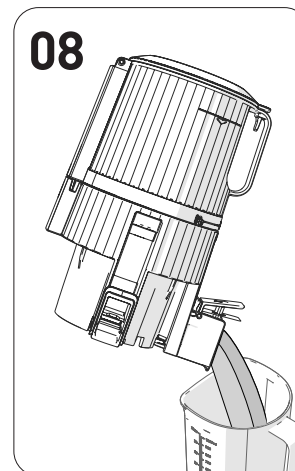
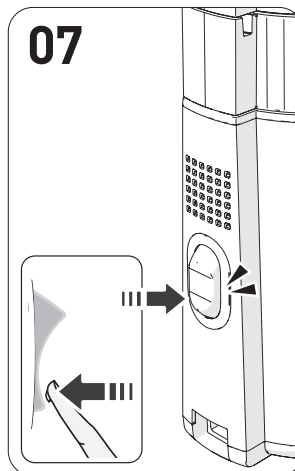
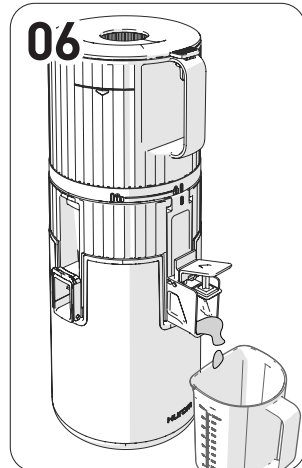
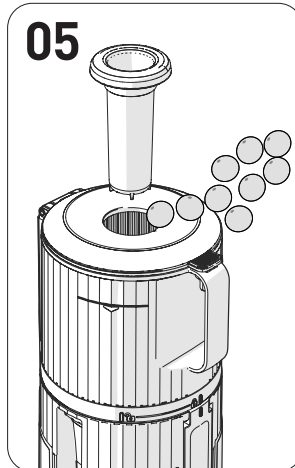
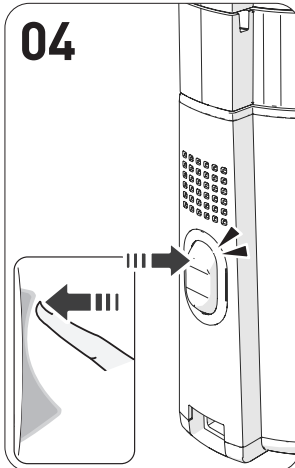
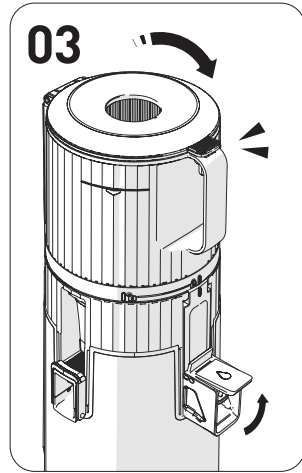
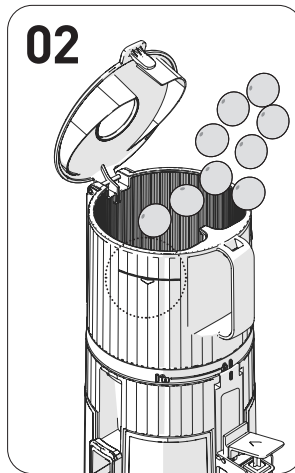
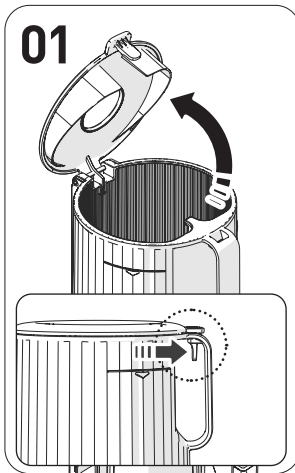


#### Desmontaje

Tire de un lado para sacarlo por debajo.

#### Montaje

Después de la limpieza, compruebe la dirección e insértela en la parte inferior del multitornillo como si estuviera engancho un lateral. Introduzca la empaquetadura y presiónela hacia abajo para que no queden partes dobladas.



### 01 Abra la tapa de la tova.

- 1 Tire de la palanca de la tapa de la tova para abrirla.

Introducir una cantidad excesiva de ingredientes puede ejercer una fuerte presión sobre el producto.

### 02 Añada ingredientes solo hasta la marca de límite de la tova.

- 1 Para ingredientes blandos, mézclelos con otros ingredientes para su extracción.

### 03 Cierre la tapa de la tova y mantenga abierta la tapa del zumo.

- 1 Antes de pulsar el botón de encendido, coloque el recipiente para zumo.
- 2 El zumo puede retroceder hacia la tova si la tapa del zumo está cerrada durante la extracción. Si el zumo no sale incluso después de abrir la tapa del zumo, abra la tapa de la tova y vacíe el contenido.

### 04 Pulse brevemente el interruptor de encendido para iniciar el funcionamiento.

- 1 El sonido de «clic» durante el funcionamiento del producto es el sonido del set de la cámara y el motor que se bloquean juntos.

### 05 Para añadir más ingredientes durante el funcionamiento, utilice la entrada adicional o abra la tapa de la tova.

- 1 Cuando se abre la tapa de la tova, el funcionamiento se detiene.
- 2 No utilice nada más que el prensador designado.
- 3 En caso de que el Multi-tornillo gire pero los ingredientes no se trituren en la tova durante la extracción, utilice el prensador para presionar los ingredientes.

### 06 Deje que la máquina siga funcionando durante aproximadamente 1 minuto más después de que todos los ingredientes bajen a la tova.

- 1 Presione y exprima lentamente los ingredientes, ya que lleva algún tiempo que se exprima hasta el último ingrediente.
- 2 La eliminación de la pulpa restante mediante el funcionamiento adicional de la máquina después de la extracción hace que sea más conveniente separar la tova y limpiar las piezas.
- 3 Es fácil eliminar la pulpa residual si se activan repetidamente las rotaciones inversa y normal.

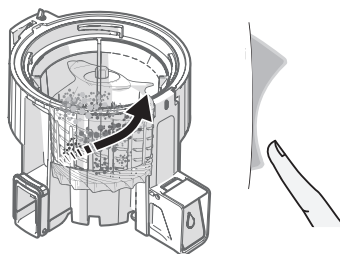
### 07 Una vez terminada la extracción de zumo y de pulpa, pulse el interruptor de encendido para detener la máquina.

- 1 La máquina se detiene 3 segundos después de ser detenida por el interruptor de encendido.

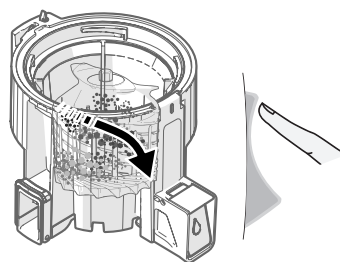
### 08 Vierta el zumo restante inclinando la cámara hacia adelante.

- 1 En el caso de los zumos concentrados espesos hechos con tomates, etc., puede que todavía quede zumo en la cámara.
- 2 Al extraer la cámara, la pulpa puede gotear del cuerpo del producto dependiendo de los ingredientes que se estén exprimiendo.

01



02



### 01 Mantenga pulsado el botón de giro inverso [REV] durante 3-5 segundos y suéltelo dos o tres veces.

El botón de giro inverso [REV] sirve para hacer girar los ingredientes en sentido inverso. El giro inverso funciona únicamente cuando se pulsa este botón; las cuchillas se detienen cuando se deja de pulsar.

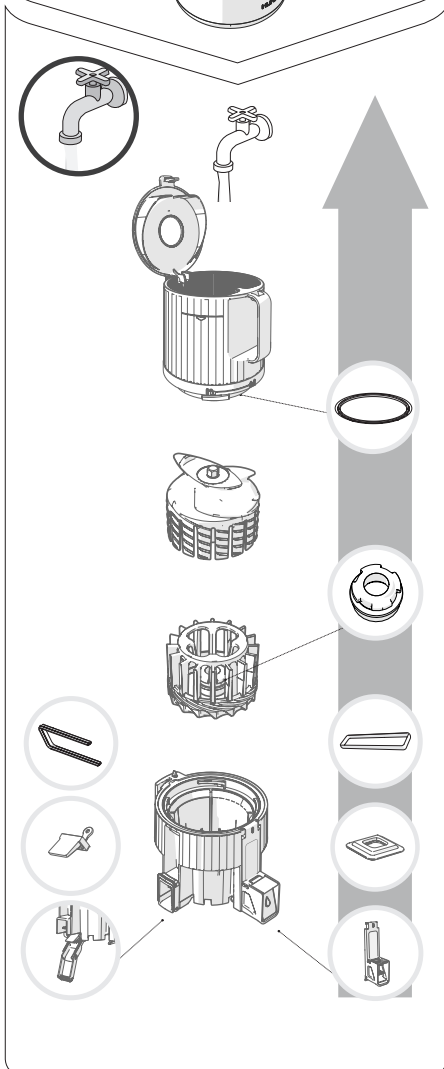
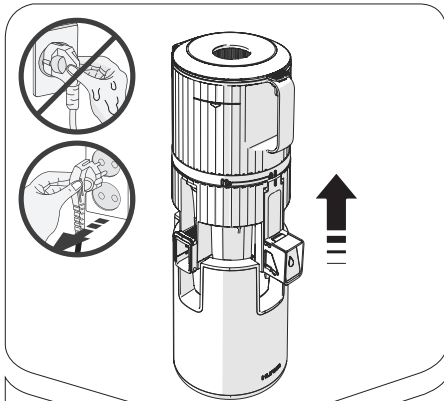
### 02 Cuando la función de giro inverso se detenga por completo, pulse el botón de encendido [ON] para poner el aparato en marcha.

A la hora de pulsar el botón de encendido (ON) o el botón de giro inverso (REV), asegúrese de pulsarlo solo cuando las cuchillas se hayan detenido por completo.

#### Nota

Si la máquina no funciona incluso después de seguir los pasos anteriores, desenchufe el cable de alimentación de la toma de corriente, desmonte el set de la cámara, lávelo y vuelva a utilizarlo. Debido a sus características, el motor no se detendrá de inmediato, sino que continuará girando lentamente en la dirección de funcionamiento antes de detenerse por completo.

60 **10. Cómo desmontar y limpiar**



✳ **Después de que el producto deje de funcionar por completo, tire del enchufe del cable de alimentación con las manos secas. Incluso después de que el producto se detenga, el motor se detendrá lentamente, así que espere unos 3 segundos antes de separar el set de la cámara.**

**01** Separe el set de la cámara del cuerpo del producto. Gire la tolva para abrirla y luego vaya tirando de cada una de las piezas para desmontarlas.

**02** Lave las piezas con un cepillo de limpieza bajo el agua corriente.

**03** Para limpiar la cámara, separe primero la tapa de salida de zumo y, a continuación, abra la tapa de salida de la pulpa y la tapa de zumo para proceder a limpiarlas a fondo.

**04** Limpie el cuerpo del producto con una toalla húmeda o un paño suave.

**05** Retire y lave las juntas de silicona después del uso.  
- Es posible que queden residuos pegados.

(Empaquetadura de la tolva, empaquetadura de la tapa de zumo, empaquetadura de extracción, empaquetadura de sellado, Empaquetadura del tornillo, empaquetadura de la tapa de salida de zumo)

**06** Puede esterilizar las piezas sumergiéndolas en agua caliente diluida con bicarbonato de sodio, ácido cítrico o vinagre.

✳ Si no se limpia el producto inmediatamente después de su uso, las piezas de acero inoxidable y otras partes pueden corroerse o decolorarse debido a la sal y la pulpa de los ingredientes. Además, los contaminantes pueden secarse y quedarse pegados en el interior, lo que dificulta su desmontaje y limpieza y también puede causar un deterioro del rendimiento. Asegúrese de limpiarlo y secarlo completamente al aire libre inmediatamente después de usarlo y guárdelo en un lugar limpio. Para el almacenamiento a largo plazo, utilice un cepillo de limpieza para lavarlo. No lo limpie con agua hirviendo o a alta temperatura ni utilice una esponja de limpieza, una esponja de acero, abrasivos y otros utensilios de limpieza afilados. No lo coloque en el lavavajillas ni en el secador de platos.

## 11. Antes de enviar una solicitud de reparación

Haga las siguientes comprobaciones antes de solicitar una reparación. Si necesita contactar con el servicio posventa o le surgen dudas mientras usa el aparato, póngase en contacto con <http://www.globalhurom.com>. Cuando se ponga en contacto con el servicio posventa, compruebe el nombre del modelo, así como el número de serie del fabricante o los números que figuran bajo el código de barras.

61

<p><b>01. Cuando empieza a funcionar, se oye un «clic».</b></p>	<p>Es el sonido del motor encajando con el Multi-tornillo. No se trata de un mal funcionamiento.</p>
<p><b>02. El aparato no funciona solo con el cuerpo del producto.</b></p>	<p>Compruebe si el set de la cámara y el cuerpo del producto están bien montados. Asegúrese de desconectar la alimentación cuando monte o desmonte el producto.</p>
<p><b>03. Ensámblelo de manera que esté alineado con el sensor de seguridad.</b></p>	<p>Compruebe si está ensamblado de acuerdo con la marca de la guía.</p>
<p><b>04. No funciona.</b></p>	<p>Compruebe si el cable de alimentación está bien insertado. Es posible que la máquina no funcione después de un largo período de (30 minutos o más). Funcionará normalmente después de que se enfríe el cuerpo del producto (motor).</p>
<p><b>05. Se detiene durante su uso normal</b></p>	<p>Compruebe si la tolva está bien montada. Si la tolva está mal montada, el producto no funcionará. Solo funcionará cuando el símbolo de la cerradura en la cámara y la marca de la guía de montaje de la tolva estén ensamblados de manera que se enfrenten. Compruebe si el producto está montado según los pasos especificados en la guía de montaje. Consulte la página de la guía de montaje (página 55). <b>¿Ha introducido una cantidad excesiva de ingredientes o ingredientes extremadamente gruesos?</b> Consulte la página 59 del manual para activar la rotación inversa. <b>Por seguridad, hay configurado un temporizador que se detiene automáticamente después de unos 5 minutos desde el inicio del funcionamiento. Vuelva a pulsar brevemente el interruptor para iniciar el funcionamiento.</b></p>
<p><b>06. Hay marcas de grietas causadas por un Multi-tornillo o marcas de arañazos en la parte superior del Multi-tornillo.</b></p>	<p>En el proceso de fabricación del moldeado, se crean marcas en forma de curva en los lados y en la parte superior del Multi-tornillo, además de las marcas de moldeado de líneas rectas. Estas partes son normales y no afectan en absoluto al funcionamiento.</p>
<p><b>07. El zumo sale por la salida de la pulpa inmediatamente después de introducir los ingredientes.</b></p>	<p>Según los ingredientes introducidos, pueden salir pequeñas cantidades de zumo por la salida de la pulpa. Esto no es un defecto del producto, sino un fenómeno causado por las características de los ingredientes. La fuga se detendrá una vez el aparato comience a funcionar. Si la fuga continúa, póngase en contacto con el Centro de Atención al Cliente.</p>
<p><b>08. El zumo vuelve hacia la tolva.</b></p>	<p><b>¿Ha extraído el zumo con la tapa de zumo cerrada?</b> Cuando se extrae zumo con la tapa de zumo cerrada, el zumo puede retroceder hacia la tolva. Si aun después de abrir la tapa del zumo no se ha vertido suficiente contenido, abra la tapa de la tolva y vacíe el contenido.</p>
<p><b>09. Fugas de zumo entre la tolva y la cámara o entre la cámara y el cuerpo del producto.</b></p>	<p><b>¿Está bien montada la empaquetadura de la tolva o la empaquetadura del tornillo?</b> El zumo goteará si la empaquetadura de la tolva o la empaquetadura del tornillo se ha montado al revés o de forma incompleta. Compruebe si la empaquetadura está bien montada.</p>
<p><b>10. La tolva no se abre.</b></p>	<p>Puede que haya un exceso de pulpa en el interior. Accione el producto para descargar la pulpa del interior o repita el proceso de activar la rotación inversa durante unos 10 segundos y luego pare 2 o 3 veces. Entonces, la tolva se abrirá sin problemas. <b>¿Ha introducido sustancias extrañas o materias sólidas (semillas duras como las del cacahuí)?</b> Si se introducen sustancias extrañas o materias sólidas, las piezas pueden dañarse más gravemente si se intenta activar una rotación inversa, por lo que debe ponerse en contacto con el Centro de Atención al Cliente y solicitar el servicio posventa.</p>
<p><b>11. La cámara tiembla (durante la extracción de zumo).</b></p>	<p>El aparato puede tambalearse ligeramente debido a los movimientos del motor del cuerpo del producto. Dependiendo de las características de los ingredientes (duros o resistentes), los movimientos se generan en distintas magnitudes. No se trata de un mal funcionamiento, sino de un fenómeno normal que se observa cuando el Multi-tornillo gira. En comparación con los ingredientes blandos con mucho contenido de agua, los ingredientes relativamente más duros puede parecer que producen una mayor agitación (por ejemplo, zanahorias, patatas, rábanos, remolacha, colinabo, etc.)</p>
<p><b>12. Se oye un ruido inusual mientras se hace el zumo.</b></p>	<p>Es un sonido natural que se produce cuando los ingredientes se están triturando. Si los ingredientes son duros o resistentes, como manzanas, zanahorias, coles, apio, remolachas, etc., el ruido de extracción puede ser más fuerte que el que se oye al exprimir ingredientes más blandos.</p>

## INDICE

- p.62 1. Precauzioni per un utilizzo sicuro
- p.63 2. Precauzioni durante l'uso
- p.64 3. Guida interruttore di accensione /
  - 4. Precauzioni prima di estrarre il succo
- p.66 5. Componenti
- p.68 6. Istruzioni di montaggio
- p.70 7. Montaggio e smontaggio delle parti in silicone
- p.72 8. Istruzioni d'uso
- p.73 9. Se la Multi-coclea si ferma durante l'uso
- p.74 10. Istruzioni di smontaggio e pulizia
- p.75 11. Prima di rivolgersi all'assistenza tecnica

## Prima di leggere il manuale

1. Leggere le "Precauzioni di sicurezza" (p. 62-63) e usare correttamente l'apparecchio.
2. Dopo aver letto il manuale, conservarlo in un posto adeguato per consultazioni future.
3. Non usare l'apparecchio all'estero con alimentazione e tensione diverse.
4. Tutti i miglioramenti di qualità sono soggetti a modifiche senza preavviso.



### 1. Precauzioni per un utilizzo sicuro

- 01 Assicurarsi di leggere le <Precauzioni per un utilizzo sicuro>.
- 02 Attenersi alle <Precauzioni per un utilizzo sicuro>.
- 03 Le precauzioni sono classificate nel modo seguente.



**Avvertenza** La violazione di uno qualsiasi dei segnali di avvertimento può causare lesioni gravi o morte.

- **Non inserire o tirare il cavo di alimentazione con le mani bagnate.**
- **Non usare una corrente diversa da quella specificata nella scheda di garanzia e nelle specifiche del prodotto.** Ciò potrebbe causare scosse elettriche, incendio e/o compromissione delle prestazioni. Il collegamento a una tensione diversa può ridurre la durata del motore o provocare malfunzionamenti.
- **Inserire saldamente la spina del cavo di alimentazione fino in fondo in una presa di corrente.**
- **Non piegare, legare, danneggiare o tirare forzatamente il cavo di alimentazione, né metterlo accanto ad oggetti con una temperatura elevata o fonti di calore, come un fornello a gas.** Inoltre, non mettere alcun oggetto pesante sopra il prodotto, non incastrarlo in uno spazio stretto e non alterarlo.

- **Non modificare l'apparecchio in nessun caso.** Inoltre, non tentare di smontarlo o ripararlo da soli.
- **Non inserire oggetti estranei come dita o perni metallici in qualsiasi fessura o foro nel corpo del prodotto.** Ciò potrebbe causare un incendio, scosse elettriche, lesioni e/o malfunzionamenti. Per il servizio post-vendita e la manutenzione di un prodotto, contattare il Centro assistenza clienti HUROM.
- **Quando la spina di alimentazione è danneggiata, non ripararla o modificarla da soli e, invece, recarsi presso un centro di assistenza post-vendita o un rivenditore autorizzato.**
- **Non bagnare o spruzzare acqua sul corpo del prodotto.** Assicurarsi che né acqua né corpi estranei entrino nell'interruttore di accensione del prodotto.
- **Non comandare l'interruttore di accensione con le mani bagnate.**
- **FPer sicurezza, usare sempre prese di corrente collegate a terra.** Inoltre, accertarsi che il collegamento di terra non sia posto su tubi del gas, tubi di plastica dell'acqua o linee telefoniche. Assicurarsi di usare una presa con messa a terra.
- **Non tentare di smontare qualsiasi parte del set contenitore o di inserire oggetti estranei come dita o cucchiaini nell'ingresso o nell'uscita del succo durante il funzionamento.**
- **Non utilizzarlo lasciandolo alla portata dei bambini. I bambini devono essere attentamente sorvegliati in modo che non giochino con questo dispositivo.** C'è rischio di infortuni o malfunzionamenti se i bambini lo colpiscono accidentalmente e lo fanno cadere.
- **Una persona che non ha familiarità con la manipolazione del prodotto non deve usarlo da sola.** Chi ha problemi fisici o mentali o non ha esperienza e le conoscenze necessarie non deve usare il prodotto senza la presenza di un supervisore.
- **Non utilizzare il prodotto mentre si indossano o si tengono in mano oggetti con forza magnetica (ad es. braccialetti magnetici).** Posizionare oggetti magnetici vicino al prodotto può causare malfunzionamenti.



**Attenzione** La violazione di una qualsiasi delle avvertenze può causare lesioni gravi o morte.

- **Non azionare il prodotto se il set del corpo e il set contenitore del prodotto non sono assemblati saldamente.**
- **Se c'è una perdita di gas, ecc., non toccare il cavo di alimentazione ma, invece, aprire le finestre e ventilare accuratamente l'area.**
- **Se la coclea smette di girare durante il normale funzionamento, premere il pulsante "rev" e tenerlo premuto dai 3 ai 5 secondi per attivare l'inversione di rotazione. Quando l'inversione di rotazione si arresta completamente, premere di nuovo il pulsante "on" per riprendere il funzionamento normale.**

Se la coclea continua a fermarsi durante il funzionamento, le parti potrebbero essere danneggiate o le prestazioni potrebbero essere peggiorate a causa di un surriscaldamento del motore. Se questo problema permane, interrompere l'utilizzo del prodotto e contattare il Centro Assistenza Clienti locale.

- **Non spostare il corpo del prodotto, né smontare o assemblare il set contenitore o le parti durante il funzionamento.**

Assicurarsi di interrompere il funzionamento e di estrarre preventivamente il cavo di alimentazione.

● **Quando si usa il prodotto, fare attenzione che cravatte, collane lunghe, sciarpe, ecc. non finiscano nell'ingresso.**

● **Posizionare il prodotto su una superficie piana e stabile per l'uso.**

● **Quando si inseriscono gli ingredienti nell'ingresso, non usare bacchette, cucchiari, oggetti duri o altro che non sia il pestello.**

● **Non utilizzare continuamente il dispositivo per più di 30 minuti ogni volta.** Ciò potrebbe surriscaldare il motore e causare malfunzionamenti. Per farlo funzionare di nuovo, fermare completamente il dispositivo per circa 5 minuti prima dell'uso.

● **Non sottoporre il prodotto a urti eccessivi e non farlo cadere.**

● **Se il dispositivo produce suoni insoliti, calore eccessivo o fumo, smettere immediatamente di usarlo e contattare il Centro assistenza clienti.**

L'odore che si avverte quando si usa un prodotto nuovo sparirà naturalmente con il tempo.

● **Estrarre la spina del cavo di alimentazione dalla presa di corrente quando non è in uso.** Inoltre, quando si estrae il cavo di alimentazione, assicurarsi di afferrare la spina per farlo.

● **Non pulire il prodotto ad una temperatura pari o superiore a 80°C.** Non metterlo in lavastoviglie, asciugatrice, microonde, ecc. Ciò potrebbe causare malfunzionamenti e/o deformazioni delle parti.

● **Il prodotto pesa circa 5.4 kg. Quando si sposta il prodotto, assicurarsi di tenere saldamente il corpo del prodotto con entrambe le mani.** Se lo si sposta tenendo solo il contenitore o i lati del corpo del prodotto, il corpo potrebbe cadere e causare lesioni fisiche o malfunzionamenti.

● **Questo prodotto è destinato all'uso domestico e non deve essere usato per scopi commerciali. L'eccessiva estrazione di una grande quantità di ingredienti può causare danni alle parti.** Nel caso in cui debba essere utilizzato per scopi commerciali, contattare il Centro assistenza clienti per ricevere istruzioni sul metodo di utilizzo.



## 2. Precauzioni durante l'uso

● **Assicurarsi di aver capito bene come preparare gli ingredienti e prepararli correttamente prima di inserirli.**

- Ingredienti mal preparati possono ostacolare il processo di estrazione e/o causare danni al prodotto.

● **Ingredienti che necessitano di maggiore attenzione**

- Quando si usano solo ingredienti morbidi come banane, kiwi maturi e pomodori, il succo può ristagnare all'interno del contenitore, il che può rendere difficile la spremitura. Aggiungere altri ingredienti che non siano troppo morbidi.

- Quando si inseriscono noci, arachidi, mandorle, semi di girasole, pinoli, fagioli, ecc., aggiungerne solo una piccola quantità o aggiungerli con altri ingredienti dopo averli tenuti in ammollo in acqua.

● **Ingredienti che non possono essere spremuti**

- Non inserire ingredienti che non possono essere spremuti come semi di sesamo, chicchi di caffè, peperoni cinesi, cortecce d'albero e aghi di pino. Non

inserire pesci, anguille, gamberi, lumache, calamari, ecc.

- Non inserire frutta sotto spirito, frutta conservata in miele o zucchero (uva, lamponi, gelsi, ecc.) ed enzimi (enzimi di salicornia, pino cembro, ecc.).

- Non inserire ingredienti i cui attributi li rendono difficili da spremere come bacche di lupo-salice, aloe, cactus, mela cotogna, patate dolci, radici di kudzu, canna da zucchero, ghiande e denti di leone.

- Non inserire ingredienti bolliti come patate e patate dolci lessate.

- Non inserire ghiaccio ottenuto dal congelamento dell'acqua.

● **Si raccomanda di consumare il succo vegetale estratto immediatamente, se possibile, e di non conservarlo in frigo per un lungo periodo di tempo.**

● **Non utilizzare questo prodotto per macinare i cereali.**

● **Ciò potrebbe causare danni o malfunzionamenti.**

● **Non riestrarre il succo dalla polpa che è già stata spremuta.**

● **Non far funzionare a vuoto il prodotto prima di inserire qualsiasi ingrediente.**

● **Non inserire ingredienti nella tramoggia oltre il segno limite guidato.**

● **Non utilizzare continuamente per più di 30 minuti.**

- Ciò potrebbe surriscaldare il motore e causare malfunzionamenti. Tuttavia, quando il prodotto è usato continuamente, mettere in pausa il funzionamento e usarlo dopo una sosta di oltre 5 minuti.

● **Non inserire bacchette o cucchiari nell'uscita del succo/polpa durante il funzionamento.**

● **Quando si inseriscono gli ingredienti, non usare altro che il pestello.**

L'uso di oggetti diversi potrebbe danneggiare le parti o causare infortuni e/o malfunzionamenti.

● **Non agire sull'interruttore di accensione con le mani bagnate.**

- Ciò potrebbe causare scosse elettriche, cortocircuito e/o incendio. Non mettere sostanze estranee sopra o vicino all'interruttore di accensione.

● **Usare il prodotto con l'otturatore aperto.**

- Il succo può rifluire nella tramoggia se l'otturatore è chiuso durante la spremitura.

● **Non usare quando una grande quantità di acqua o succo è presente nella sezione superiore del corpo.**

● **Per garantire un'estrazione senza problemi di grandi volumi più volte, è importante svuotare regolarmente il contenitore della polpa.**

- Se il contenitore della polpa non viene svuotato, è possibile che venga spinto fuori o che il funzionamento del prodotto si arresti.

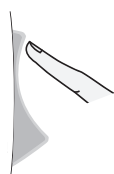
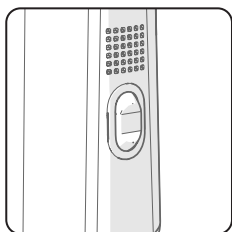
- La polpa può gocciolare sul corpo quando si stacca il contenitore al termine della spremitura.

### Nota

1. Gli ingredienti avvizziti, che sono stati conservati a lungo in frigorifero, o la frutta congelata possono produrre solo una piccola quantità di succo o non produrne affatto.

2. Se il prodotto non viene pulito subito dopo l'uso, la polpa può essiccarsi, il che rende difficile smontarlo e pulirlo e causa anche la compromissione delle prestazioni. Quindi, se possibile, pulirlo subito dopo l'uso.

Prima di utilizzare il prodotto, premere l'interruttore di accensione.



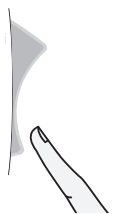
[ON]: ON

- Avvia il motore e produce il succo.



[○]: Stop

- Premere per interrompere il funzionamento del prodotto.



[REV]: REV

- Premere quando la produzione si arresta durante l'uso per un sovraccarico di materiale.

※ L'apparecchio funziona solo quando il pulsante è premuto e si ferma quando il pulsante viene rilasciato.

※ In caso di allergie, assicurarsi di selezionare gli ingredienti adatti al proprio organismo quando si preparano gli ingredienti.

※ Per il metodo e le note sull'uso del dispositivo per ogni ingrediente, fare riferimento al libro delle ricette.

※ Preparare gli ingredienti in dimensioni tali da poter essere inseriti nella tramoggia. Se si desidera spremere un grande volume o eseguire una spremitura veloce, tagliare gli ingredienti in pezzi più piccoli prima di inserirli. Per circa 1 kg, ripetere il passaggio "smontare e pulire dopo la spremitura" per l'uso.

※ Non inserire gli ingredienti nella tramoggia oltre il segno limite guidato.

※ Quando si spremono frutti morbidi, il succo degli ingredienti potrebbe ristagnare all'interno del contenitore.

※ Quando si spremono frutti e verdure fibrosi, il succo potrebbe addensarsi.

※ Inserendo i seguenti ingredienti, che non è possibile spremere, si possono verificare danni o malfunzionamenti.

- Ingredienti che non possono essere spremuti come semi di sesamo, chicchi di caffè, peperoni cinesi, cortecce d'albero e aghi di pino, così come pesci, anguille, gamberi, lumache, calamari, ecc.

- Frutta sotto spirito, frutta conservata in miele o zucchero (uva, lamponi, gelsi, ecc.) ed enzimi (enzimi di salicornia, pino cembro, ecc.).

- Ingredienti i cui attributi li rendono difficili da spremere come bacche di lupo-salice, aloe, cactus, mele cotogne, banane, patate dolci, radici di kudzu, canna da zucchero, ghiande e denti di leone.

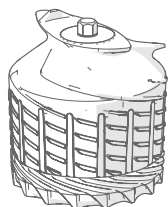
- Ingredienti bolliti come patate e patate dolci lessate.

- Ghiaccio ottenuto dal congelamento dell'acqua

※ Non utilizzare per macinare i cereali.

※ Fare riferimento alle istruzioni in <Precauzioni durante il funzionamento> (vedere pag. 63).

## 4-1. Multi-coclea



- Poiché alcuni ingredienti richiedono una cura maggiore durante la preparazione, fare riferimento alle seguenti istruzioni su come preparare gli ingredienti.
- Quando si sprema più volte o si spremono volumi di ingredienti, fare attenzione a tagliare gli ingredienti in pezzi piccoli, e poi ripetere il passaggio "smontare e pulire dopo la spremitura".
- Per una spremitura più veloce, tagliare gli ingredienti in pezzi molto piccoli.

### Agrumi

#### Pompelmi, arance, limoni, ecc.

Preparare gli ingredienti sbucciandoli e tagliandoli in pezzi più piccoli che passino nell'ingresso della tramoggia. Rimuovere tutti i semi duri e non masticabili prima dell'inserimento.

### Frutta con buccia spessa

#### Ananas, frutto del drago, meloni, angurie, melograno, ecc.

Preparare gli ingredienti sbucciandoli e tagliandoli in pezzi più piccoli che passino nell'ingresso della tramoggia. Rimuovere tutti i semi duri e non masticabili prima dell'inserimento.

### Frutta con noccioli

#### Uva, mele, pesche, cachi, prugne, ciliegie, pere, meloni coreani, ecc.

Per gli ingredienti che contengono semi duri e non masticabili o noccioli di grandi dimensioni come quelli delle pesche, avere cura di rimuovere prima i semi/noccioli e tagliare e preparare solo la polpa. I semi duri possono provocare l'arresto dell'apparecchio o danneggiarne i componenti. I semi di mela contengono sostanze tossiche, quindi rimuoveteli il più possibile. Per l'uva, togliere ogni acino dal grappolo dopo averlo lavato accuratamente. Gli ingredienti troppo morbidi non vanno spremuti da soli, invece vanno mescolati con altra frutta e verdura.

### Frutta morbida

#### Estrazione singola (bacche, pomodorini, ananas, ecc.)

※ Lavare accuratamente e tagliare gli ingredienti in pezzi piccoli che possano entrare nell'ingresso della

tramoggia. Per la frutta e la verdura con gambi, rimuovere prima i gambi.

#### Estrazione mista (fragole, kiwi, banane, pomodori, mango, ecc.)

※ Per gli ingredienti secchi e viscosi, mescolarli con altri ingredienti per l'estrazione. Rimuovere la buccia e i gambi, e anche i semi, se presenti.

### Ortaggi da radice

#### Carote, barbabietole, zenzero, patate dolci, patate, aglio, ecc.

Lavare gli ingredienti in acqua corrente per rimuovere lo sporco e altre sostanze estranee. Per gli ingredienti fibrosi come lo zenzero, sbucciarli e tagliarli in pezzi piccoli. Per gli ingredienti lunghi, tagliarli in senso verticale per l'estrazione.

### Ortaggi a foglia e a stelo

#### Sedano, cavolo navone, cavolo, prezzemolo, erba di grano, erba cipollina, ecc.

Tagliare gli ingredienti in pezzi di 3 cm o più corti per l'estrazione. Poiché gli ortaggi a foglia e a stelo sono ruvidi e fibrosi, non si spremono facilmente e possono rimanere impigliati nella Multi-coclea.

• Quando si spremono ingredienti diversi dagli ortaggi da radice, a foglia e a stelo, il succo può ristagnare.

### Frutta congelata

#### Frutta con buccia spessa, come angurie e meloni

Togliere la buccia esterna e tagliare gli ingredienti in pezzi più piccoli che passino nell'ingresso della tramoggia prima di congelarli.

#### Frutta con semi e noccioli, come mango, pesche e uva

Usare solo frutta congelata e senza semi. Per la frutta che ha semi o noccioli duri, non masticabili, come mango, pesche e limoni, avere cura di rimuovere i semi e poi congelarla prima dell'uso. Per l'uva, per l'uso congelare il tipo senza semi.

#### Frutta e verdura morbida, come banane, fragole, kiwi e pomodori

Sbucciare completamente le banane, i kiwi, ecc. e tagliarli in pezzi lunghi 3-4 cm che possano entrare nell'ingresso prima di congelarli. Per pomodorini, fragole, ecc., rimuovere i gambi prima di congelarli.

- Si usano per preparare granite, frullati, gelati, ecc. la cui ricetta prevede la frutta congelata.
- Tagliare i frutti in pezzi da 2 cm e congelarli prima dell'uso.
- Non usare mai l'apparecchio per frantumare o tritare il ghiaccio o altri ingredienti.
- Il prodotto può fermarsi se si inserisce una quantità eccessiva di ingredienti o pezzi voluminosi in una volta sola, quindi assicurarsi di inserire piccole quantità alla volta (nell'ingresso aggiuntivo).

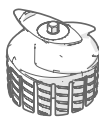
**Parte della tramoggia**

Tramoggia



**Parte del contenitore**

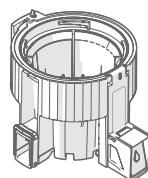
Parte superiore della multi-coclea



Parte inferiore della multi-coclea



Contenitore

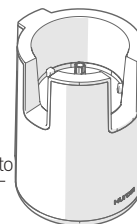


**Parte del corpo**

cordone di alimentazione



Corpo del prodotto



**Parte dell'accessorio**

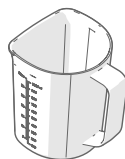
Contenitore della polpa



Spazzolino per la pulizia



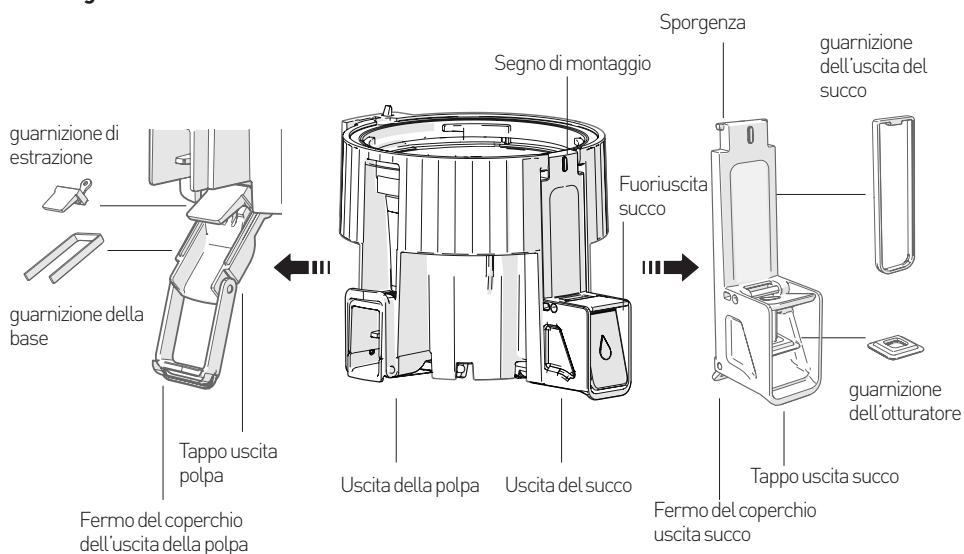
Contenitore del succo



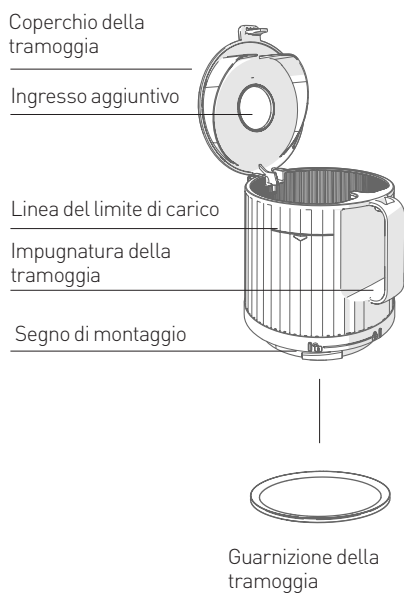
Pestello



## Dettagli contenitore

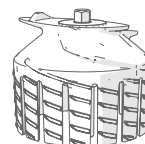


## Dettagli tramoggia

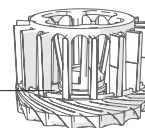


## Dettagli coclea

Parte superiore della multi-coclea



Parte inferiore della multi-coclea



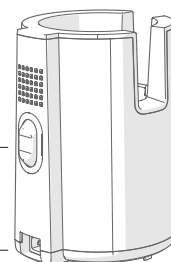
Guarnizione della coclea



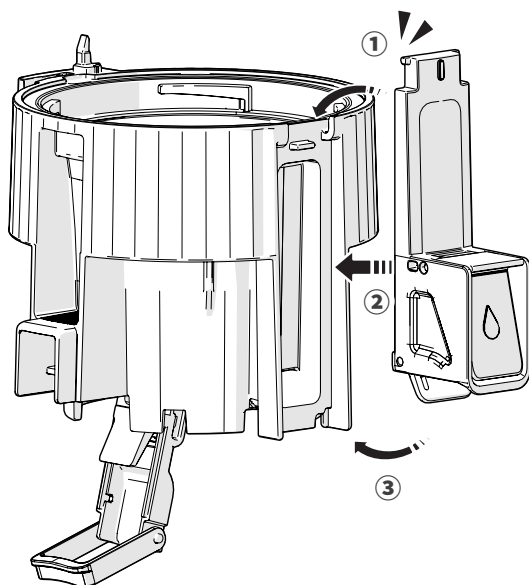
## Dettagli corpo

Interruttore

Parte di montaggio del cavo di alimentazione



## 01 Montaggio tappo uscita succo

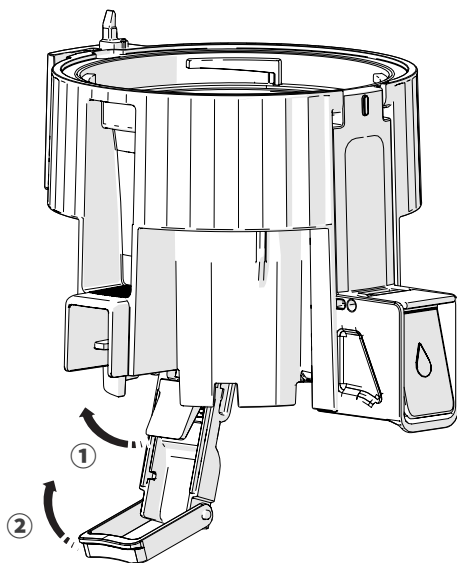


**Agganciare il tappo dell'uscita del succo a una scanalatura nella parte superiore del contenitore per montarlo, quindi fissare il gancio nella parte inferiore.**

Se la guarnizione non è montata in modo corretto o il fermo non è chiuso correttamente, il coperchio di uscita della polpa può aprirsi o ci possono essere perdite di succo durante l'estrazione.

※ Verificare se la guarnizione del coperchio di scarico del succo e la guarnizione dell'otturatore sono installate.

## 02 Montaggio tappo uscita polpa

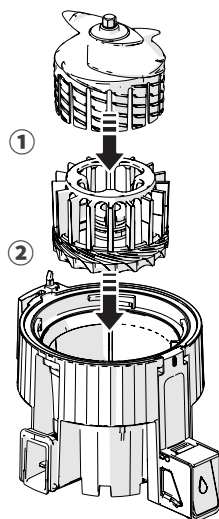


**Infine, mettere un recipiente sotto l'uscita del succo e sotto l'uscita della polpa.**

Se la guarnizione non è montata in modo corretto o il fermo non è chiuso correttamente, il coperchio di uscita della polpa può aprirsi o ci possono essere perdite di succo durante l'estrazione.

※ Verificare se la guarnizione di estrazione e la guarnizione della base sono installate.

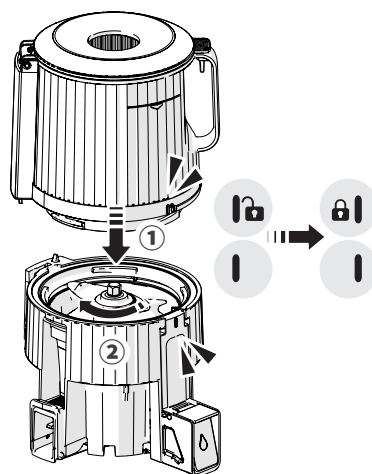
## 03 Montaggio della multi-coclea



**Posizionare la multi-coclea montata all'interno del contenitore e girarla in senso orario.**

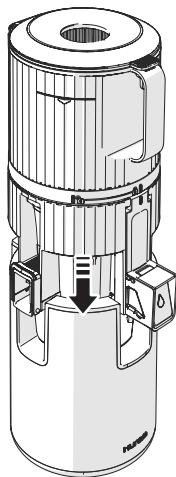
Se le parti all'interno del contenitore non sono montate correttamente, l'apparecchio potrebbe non funzionare in modo corretto.

## 04 Montaggio della tramoggia



**Allineare i segni sul contenitore e sulla tramoggia per montarla, quindi ruotarla in senso orario per assemblarla completamente.**

## 05 Montaggio del corpo



**Posizionare il set contenitore (montato correttamente) sul corpo dell'apparecchio.**

### Nota

**Abbassare il coperchio della tramoggia per chiuderlo finché non si sente un clic.**

Se il coperchio della tramoggia non è chiuso correttamente, l'apparecchio potrebbe non funzionare correttamente.

**Invece di assemblarlo sul corpo dell'apparecchio, assemblare prima il set contenitore separatamente, quindi collocare l'intero set sul corpo dell'apparecchio.**

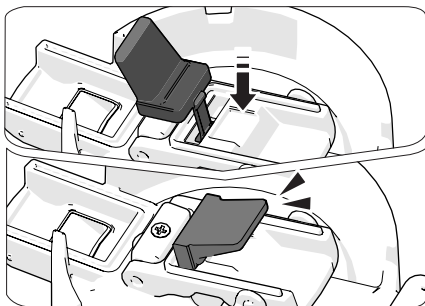
Se non viene montato esattamente come indicato dalla guida, potrebbe essere difficile montarlo correttamente.

## 70 7. Montaggio e smontaggio delle parti in silicone

※ Le guarnizioni in silicone sono materiali consumabili che si raccomanda di sostituire una volta ogni 6-12 mesi. Sono disponibili per l'acquisto attraverso il Centro assistenza clienti.

(L'estrattore può avere delle perdite se non è assemblato correttamente).

### Guarnizione di estrazione



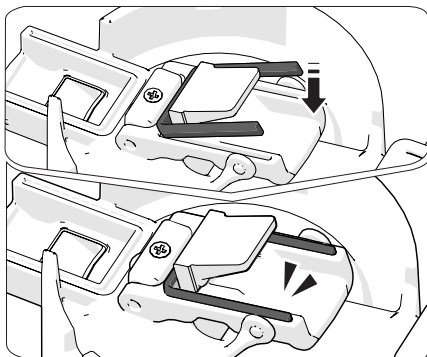
#### Smontaggio

Afferrare la guarnizione ed estrarla. Sulla guarnizione è presente un anello così che non venga smontata del tutto.

#### Montaggio

Dopo la pulizia, inserire la parte convessa della guarnizione come se la si stesse agganciando, quindi premere verso il basso.

### Guarnizione della base



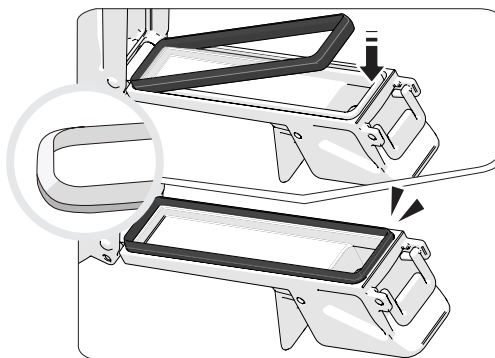
#### Smontaggio

Afferrare la guarnizione ed estrarla.

#### Montaggio

Dopo la pulizia, inserire prima un lato della guarnizione come se la si stesse fissando. Inserire la parte rimanente e premere la circonferenza della guarnizione.

### Guarnizione del coperchio uscita succo



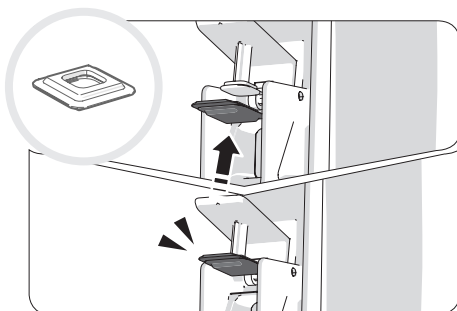
#### Smontaggio

Afferrare la guarnizione ed estrarla.

#### Montaggio

Dopo la pulizia, assicurarsi che la superficie inclinata della guarnizione sia rivolta verso l'esterno prima di inserirla e premirla.

### Guarnizione dell'otturatore



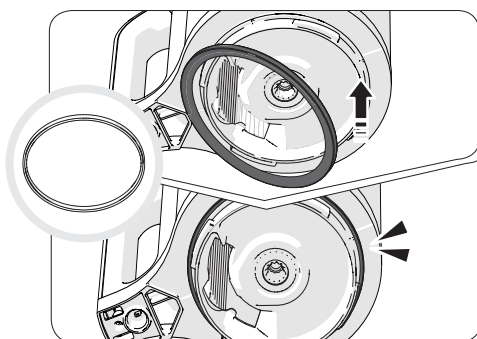
#### Smontaggio

Afferrare la guarnizione ed estrarla.

#### Montaggio

Dopo la pulizia, inserire prima un lato della guarnizione come se la si stesse fissando. Inserire la parte rimanente e premere la circonferenza della guarnizione.

### Guarnizione della tramoggia



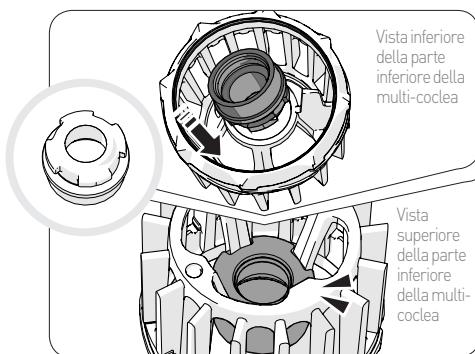
#### Smontaggio

Afferrare la guarnizione ed estrarla.

#### Montaggio

Dopo la pulizia, inserire prima un lato della guarnizione come se la si stesse fissando. Inserire la parte rimanente e premere la circonferenza della guarnizione.

### Guarnizione della coclea

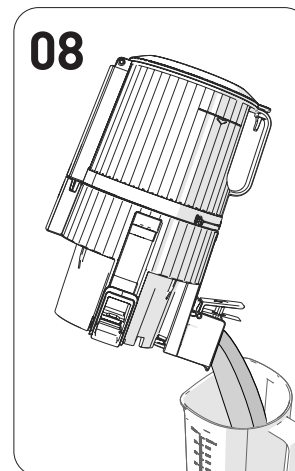
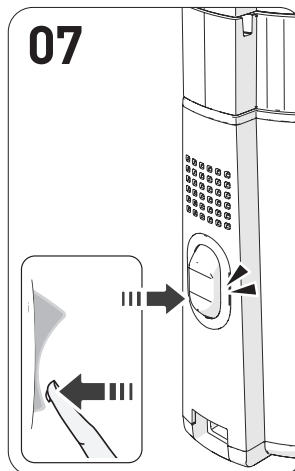
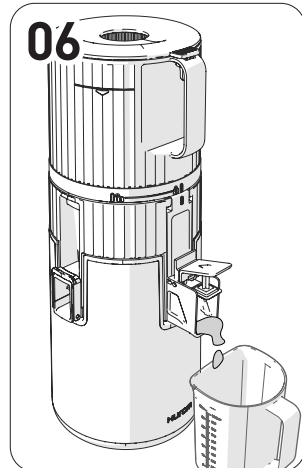
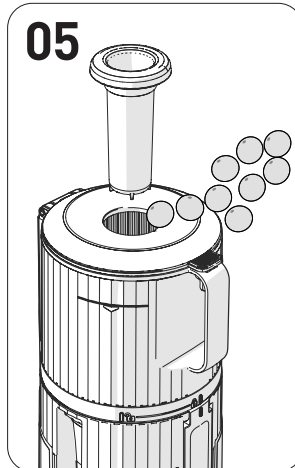
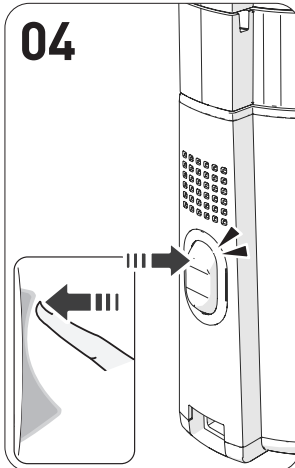
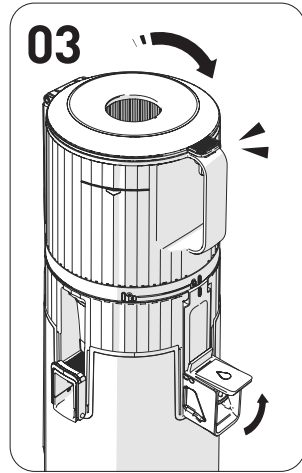
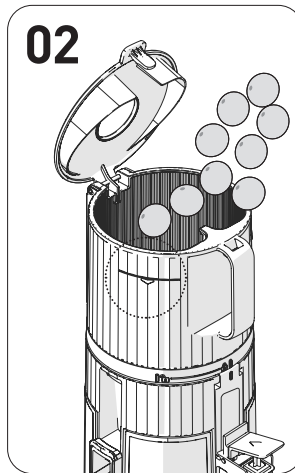
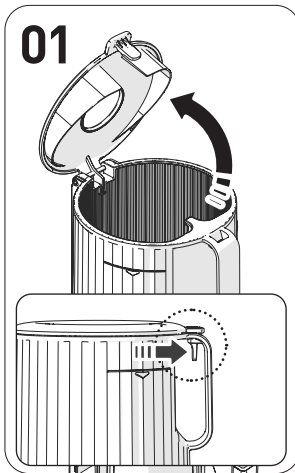


#### Smontaggio

Tirare un lato per estrarlo sotto.

#### Montaggio

Dopo la pulizia, controllare la direzione e inserirla nella parte inferiore della multi-coclea come se si stesse agganciando un lato. Inserire l'imballaggio e premere in modo che non vi siano parti piegate.



### 01 Aprire il coperchio della tramoggia.

① Tirare la leva del coperchio della tramoggia per aprirla.

L'inserimento di una quantità eccessiva di ingredienti può esercitare una pressione eccessiva sul prodotto.

### 02 Aggiungere gli ingredienti solo fino al segno limite della tramoggia.

① Per gli ingredienti morbidi, mescolarli con altri ingredienti per l'estrazione.

### 03 Chiudere il coperchio della tramoggia e tenere aperto l'otturatore.

① Prima di premere il pulsante ON, inserire il contenitore del succo in posizione.

② Il succo può rifluire nella tramoggia se l'otturatore è chiuso durante l'estrazione. Se il succo non esce anche dopo aver aperto l'otturatore, aprire il coperchio della tramoggia e svuotarne il contenuto.

### 04 Premere brevemente l'interruttore di accensione per avviare il funzionamento.

① Il suono "clic" durante il funzionamento del prodotto è il suono del set contenitore e del motore che vengono bloccati insieme.

### 05 Per aggiungere altri ingredienti durante il funzionamento, utilizzare l'ingresso supplementare o aprire il coperchio della tramoggia.

① Quando il coperchio della tramoggia viene aperto, il funzionamento si ferma.

② Non usare oggetti diversi dal pestello designato.

③ Se la Multi-coclea gira ma gli ingredienti non vengono tritati nella tramoggia durante l'estrazione, usare il pestello per spingere giù gli ingredienti.

### 06 Lasciar funzionare la macchina per circa 1 minuto dopo che tutti gli ingredienti sono scesi nella tramoggia.

① Gli ingredienti sono premuti e spremuti lentamente, quindi ci vuole un po' di tempo prima che l'ultimo ingrediente sia spremuto.

② Rimuovere la polpa rimanente facendo funzionare ancora un po' l'apparecchio dopo l'estrazione rende più agevole staccare la tramoggia e pulire i componenti.

③ È facile rimuovere la polpa residua quando si effettuano ripetutamente rotazioni inverse e normali.

### 07 Una volta che la spremitura e la rimozione della polpa sono terminate, premere l'interruttore di accensione per fermare l'apparecchio.

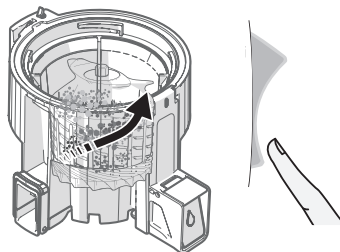
① La macchina si ferma 3 secondi dopo essere stata fermata con l'interruttore di accensione.

### 08 Versare il succo rimanente inclinando il contenitore in avanti.

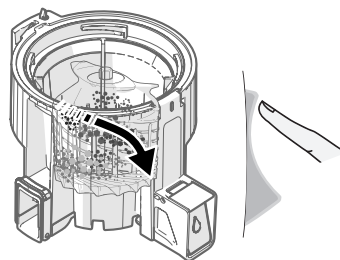
① Per i succhi densamente concentrati di pomodori, ecc. del succo può ancora rimanere nel contenitore.

② Quando si stacca il contenitore, la polpa può gocciolare dal corpo del prodotto a seconda degli ingredienti spremuti.

# 01



# 02



### 01 Premere e tenere premuto [REV] dai 3 ai 5 secondi e rilasciare il pulsante 2 o 3 volte.

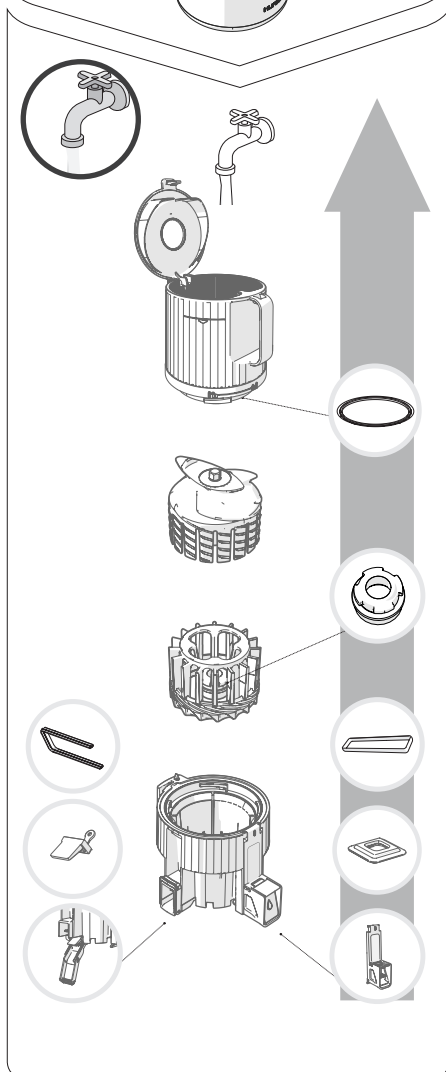
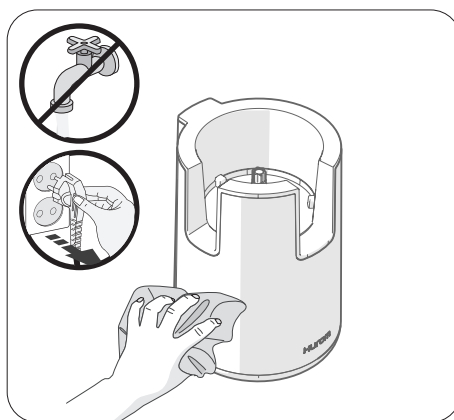
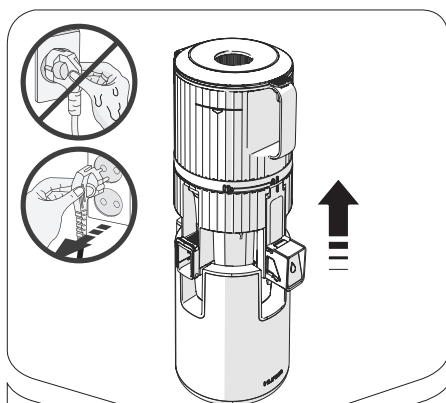
Il pulsante [REV] spinge indietro gli ingredienti per rimuoverli. L'inversione di rotazione continua solo quando il pulsante è premuto mentre la coclea si ferma quando il pulsante viene rilasciato.

### 02 Una volta che l'inversione di rotazione si è arrestata completamente, premere il pulsante [ON] per avviare il funzionamento.

Quando si preme il pulsante [ON/Estrai] o [REV/Inverti], assicurarsi di premerlo una volta che la coclea si è fermata completamente.

#### Nota

Se l'apparecchio non funziona anche dopo aver seguito i passaggi sopra descritti, estrarre la spina del cavo di alimentazione dalla presa, staccare il set contenitore, lavarlo e usarlo di nuovo. A causa delle sue caratteristiche, il motore non si fermerà subito, ma continuerà a girare lentamente nella direzione di funzionamento prima di fermarsi completamente.



※ Dopo che il prodotto si è fermato completamente, estrarre la spina del cavo di alimentazione con le mani asciutte. Anche dopo l'arresto del prodotto, il motore si fermerà lentamente, quindi attendere circa 3 secondi prima di staccare il set contenitore.

**01** Smontare il set contenitore dal corpo del prodotto. Girare la tramoggia per aprirla e poi estrarre in sequenza ogni componente per smontarli.

**02** Lavare i componenti con uno spazzolino per stoviglie sotto l'acqua corrente.

**03** Per pulire il contenitore, per prima cosa togliere il coperchio dell'uscita del succo, quindi aprire il coperchio dell'uscita della polpa e il tappo del succo per pulire accuratamente.

**04** Pulire il corpo del prodotto con uno strofinaccio inumidito o un panno morbido.

**05** Smontare e lavare le guarnizioni in silicone dopo l'uso.  
- Dei residui potrebbero essere ancora attaccati.  
(Guarnizione della tramoggia, guarnizione dell'otturatore, guarnizione di estrazione, guarnizione della base, empaquetadura del tornillo, guarnizione dell'uscita del succo)

**06** È possibile sterilizzare i componenti immergendoli in acqua calda in cui è stato diluito bicarbonato di sodio, acido citrico o aceto.

※ Se non si pulisce il prodotto immediatamente dopo l'uso, le parti in acciaio inossidabile e le altre parti possono corrodersi o scolorirsi a causa del sale e della polpa degli ingredienti. Inoltre, i contaminanti possono essersi seccati e bloccati all'interno, il che rende difficile lo smontaggio e la pulizia e può anche causare la compromissione delle prestazioni. Avere cura di pulirlo e farlo asciugare completamente all'aria immediatamente dopo l'uso e conservarlo in un luogo pulito. Per la conservazione a lungo termine, usare uno spazzolino per stoviglie per lavarlo. Non pulire con acqua bollente o ad alta temperatura né usare spugne detergenti, pagliette d'acciaio, spugne abrasive e altri strumenti di pulizia appuntiti. Non metterlo in lavastoviglie o asciugatrice.

## 11. Prima di rivolgersi all'Assistenza tecnica

Controllare quanto segue prima di richiedere una riparazione. Se si necessita di supporto postvendita o in caso di domande sull'utilizzo di questo prodotto, o visitare <http://www.globalhurom.com>. Al momento di richiedere supporto postvendita o delle parti, controllare il nome del modello e il numero di serie del produttore o i numeri sotto al codice a barre.

75

<b>01. Quando inizia a funzionare, si sente un "clic".</b>	È il suono del motore che viene assemblato con la Multi-coclea. Non è un malfunzionamento.
<b>02. Non funziona solo con il corpo del prodotto.</b>	Controllare se il set contenitore e il corpo del prodotto sono assemblati correttamente. Assicurarsi di aver spento l'alimentazione quando si monta o si smonta il prodotto.
<b>03. Montarlo in modo che sia allineato con il sensore di sicurezza.</b>	Controllare se è montato in conformità con il segno di riferimento.
<b>04. Non funziona.</b>	Controllare se il cavo di alimentazione è inserito correttamente. L'apparecchio potrebbe non funzionare dopo un lungo periodo (30 minuti o più). Il Funzionerà normalmente dopo che il calore del corpo del prodotto (motore) si sarà raffreddato.
<b>05. Si arresta durante il normale funzionamento.</b>	Controllare che la tramoggia sia montata correttamente. Se la tramoggia è stata montata in modo errato, il prodotto non funziona. Funziona solo se il montaggio è avvenuto in modo tale che il simbolo del lucchetto sul contenitore e il segno per il montaggio della tramoggia sono uno di fronte all'altro. Controllare che il prodotto sia stato montato conformemente ai passaggi descritti nelle istruzioni di montaggio. Fare riferimento alla pagina delle istruzioni di montaggio (pag. 69). <b>Non è stata inserita una quantità eccessiva di ingredienti o ingredienti troppo spessi?</b> Fare riferimento a pagine 73 del manuale per attivare la rotazione in senso inverso. <b>Per sicurezza, e impostato un timer che si ferma automaticamente dopo circa 5 minuti dall'inizio del funzionamento.</b> Premere di nuovo brevemente l'interruttore di accensione per avviare il funzionamento.
<b>06. Ci sono segni di crepe causati dalla Multi-coclea o segni di graffi nella parte superiore della Multi-coclea.</b>	Nel processo di fabbricazione dello stampo, si creano dei segni curviformi sui lati e sulla parte superiore della Multi-coclea, oltre ai segni lineari dello stampo. Sono parti normali e non influenzano affatto il funzionamento.
<b>07. Il succo fuoriesce dall'uscita della polpa subito dopo l'inserimento degli ingredienti.</b>	A seconda degli ingredienti inseriti, piccole quantità di succo possono fuoriuscire dall'uscita della polpa. Questo non è un difetto del prodotto ma, piuttosto, un fenomeno causato dalle caratteristiche degli ingredienti. La perdita cesserà una volta che il prodotto inizierà a funzionare. Se la perdita continua, contattare il Centro assistenza clienti.
<b>08. Il succo rifluisce nella tramoggia.</b>	Hai estratto il succo con l'otturatore chiuso? Quando si estrae il succo con l'otturatore chiuso, il succo può rifluire nella tramoggia. Se il contenuto non viene scaricato sufficientemente anche dopo aver aperto l'otturatore, aprire il coperchio della tramoggia e svuotarne il contenuto.
<b>09. Perdite di succo tra la tramoggia e il contenitore, o tra il contenitore e il corpo del prodotto.</b>	La guarnizione della tramoggia o della coclea è montata correttamente? Ci saranno perdite di succo se la guarnizione della tramoggia o della coclea è stata montata al contrario o in modo incompleto. Controllare che la guarnizione sia montata correttamente.
<b>10. La tramoggia non si apre.</b>	Potrebbe esserci un eccesso di polpa residua all'interno. Azionare il prodotto per scaricare la polpa all'interno o ripetere il processo di attivazione della rotazione in senso inverso per circa 10 secondi e poi fermarsi 2 o 3 volte. Successivamente, la tramoggia si aprirà senza problemi. <b>Sono state collocate nell'estrattore sostanze estranee o materiali solidi (nocioli duri come quelli dei cachi)?</b> Se vengono inserite sostanze estranee o materiali solidi, i componenti possono subire danni più gravi quando si tenta una rotazione in senso inverso, quindi contattare il Centro assistenza clienti e richiedere il servizio post-vendita.
<b>11. Il contenitore trema (durante la spremitura).</b>	Il prodotto può traballare leggermente a causa dei movimenti del motore del corpo del prodotto. A seconda delle caratteristiche degli ingredienti (duri o resistenti), si generano movimenti di varia entità. Non si tratta di un malfunzionamento, ma piuttosto di un fenomeno normale che si osserva quando la Multi-coclea ruota. Rispetto agli ingredienti morbidi che contengono molta acqua, gli ingredienti relativamente più duri possono sembrare produrre vibrazioni maggiori (ad es. carote, patate, ravanelli, barbabietole, cavoli rapa, ecc.)
<b>12. Durante la spremitura si sente un rumore insolito.</b>	Si tratta di un suono naturale prodotto quando gli ingredienti vengono schiacciati. Se gli ingredienti sono duri o resistenti come mele, carote, cavoli, sedano, barbabietole, ecc., il rumore di estrazione può essere più forte di quello che si sente quando si spremono ingredienti più morbidi.

## SPIS TREŚCI

- p.76 1. Środki ostrożności.
- p.77 2. Uwagi dotyczące eksploatacji
- p.78 3. Informacje dotyczące przetącnika zasilania
4. Środki ostrożności, jakie należy podjąć przed wyciskaniem soku
- p.80 5. Komponenty
- p.82 6. Montaż
- p.84 7. Montaż i demontaż uszczelek silikonowych
- p.86 8. Użytkowanie
- p.87 9. Zatrzymanie wałka ślimakowego podczas użytkowania
- p.88 10. Demontaż i czyszczenie
- p.89 11. Przed zgłoszeniem się do naprawy

### Przed przeczytaniem instrukcji obsługi

- Należy zapoznać się ze środkami ostrożności dotyczącymi bezpiecznego użytkowania (s. 76-77), aby prawidłowo korzystać z produktu.
- Po przeczytaniu instrukcji należy przechowywać ją w dogodnym miejscu do wykorzystania w przyszłości.
- Urządzenie nie należy używać za granicą, gdzie występuje inne napięcie prądu.
- W celu poprawy jakości urządzenia mogą ulec zmianie bez powiadomienia.



### 1. Środki ostrożności

- 01 Należy przeczytać "Środki ostrożności".  
 02 Należy postępować zgodnie z zaleceniami zawartymi w części "Środki ostrożności".  
 03 Klasyfikację środków ostrożności podano poniżej.



**Ostrzeżenie** Niestosowanie się do informacji oznaczonych tym znakiem może doprowadzić do poważnych obrażeń lub śmierci.

• Nie należy wkładać ani ciągnąć przewodu zasilającego mokrymi rękami.

• Nie należy używać prądu o innym natężeniu niż określony w karcie gwarancyjnej i specyfikacjach produktu. Nieprzestrzeganie zalecenia może doprowadzić do porażenia prądem, pożaru i/lub pogorszenia wydajności. Podłączenie do innego napięcia może skrócić żywotność silnika lub doprowadzić do awarii.

• Przewód zasilania należy podłączyć prawidłowo dokładnie do gniazdka elektrycznego.

• Nie należy zginać, wiązać, ciągnąć przewodu zasilającego na siłę, ani umieszczać go w miejscach, w których występują wysokie temperatury lub w pobliżu urządzeń, które emitują ciepło, na przykład kuchenka gazowa. Na produkcji nie należy umieszczać żadnych ciężkich przedmiotów. Nie należy umieszczać go w wąskiej przestrzeni ani modyfikować.

• W żadnych okolicznościach nie należy przebudowywać urządzenia. Nie należy podejmować próby samodzielnego demontażu ani naprawy.

• Nie należy wkładać żadnych ciał obcych, takich jak palec lub żelazna szpilka, do szczeliny lub otworu w korpusie produktu. Może to doprowadzić do pożaru, porażenia prądem, obrażeń ciała i/lub awarii. Obsługa posprzedażowa i konserwacja produktu - prosimy o kontakt z Serwisem HUROM.

• W przypadku uszkodzenia wtyczki, nie należy naprawiać jej ani przerabiać samodzielnie. Należy skontaktować się z Serwisem.

• Nie należy moczyć ani rozpryskiwać wody na korpus produktu. Należy upewnić się, że do przetącnika zasilania produktu nie dostała się woda ani ciata obce.

• Nie należy obsługiwać przetącnika zasilania mokrymi rękami.

• Ze względów bezpieczeństwa, gniazdko zasilania powinno być zawsze uziemione. Nie należy uziemiać go do rury gazowej, plastikowej rury wodociągowej lub linii telefonicznej. Należy upewnić się, że gniazdko jest uziemione.

• komory wsadowej ani wkładać obcych przedmiotów, takich jak palec lub tyłka, do otworu wsadowego lub otworu wylotu soku podczas pracy urządzenia.

• Nie należy używać urządzenia w zasięgu dzieci. Należy nadzorować dzieci, aby nie bawiły się tym urządzeniem. Istnieje ryzyko obrażeń ciała lub awarii.

• Osoba, która nie zaznajomiła się z obsługą urządzenia, nie powinna sama z niego korzystać. Każda osoba z problemami fizycznymi lub psychicznymi lub bez doświadczenia i wiedzy, nie powinna korzystać z urządzenia bez obecności osoby nadzorującej.

• Nie należy używać urządzenia, gdy osoba obsługująca ma na sobie lub trzyma jakikolwiek produkt z siłą magnetyczną (np. bransoletki magnetyczne). Umieszczanie przedmiotów magnetycznych w pobliżu urządzenia może spowodować jego nieprawidłowe działanie.



**Ostrzeżenie** Niestosowanie się do informacji oznaczonych tym znakiem może doprowadzić do poważnych obrażeń lub śmierci.

• Nie należy używać urządzenia, jeśli korpusu i komora wsadowa nie są prawidłowo podłączone. Po wykryciu wycieku gazu nie wolno wkładać przewodu zasilającego do gniazdka. Należy otworzyć okno, aby natychmiast przewietrzyć pomieszczenie.

• Jeśli wałek ślimakowy zatrzyma się podczas pracy, urządzenie automatycznie włącza obroty wsteczne, a następnie ponownie rozpoczyna normalną pracę.

• Jeśli wałek ślimakowy przestanie się obracać podczas normalnej pracy, należy nacisnąć przycisk „rev” i przytrzymać, przez 3-5 sekund, aby włączyć obroty do tyłu. po całkowitym zatrzymaniu obrotu wstecznego należy nacisnąć ponownie przycisk „on”, aby wznowić normalną pracę.

Jeśli wałek nadal się zatrzymuje podczas pracy, części mogły zostać uszkodzone lub wydajność mogła ulec pogorszeniu z powodu przegrzania silnika. Gdy problem będzie się powtarzał, należy przestać używać urządzenia i skontaktować się z serwisem.

• Nie należy przesuwac korpusu urządzenia, demontować ani montować komory wsadowej lub części podczas pracy urządzenia. Należy pamiętać, aby wcześniej wyłączyć urządzenie i wyciągnąć przewód zasilający.

• Podczas używania urzywania należy uważać, aby krawat, długi naszyjnik, szalik itp. nie dostały się do otworu wsadowego.

- Przed użyciem należy ustawić urządzenie na równej i stabilnej powierzchni.
  - Podczas wkładania składników do komory wsadowej nie używać pałeczek, tyżek i żadnych innych przedmiotów z wyjątkiem popychacza dołączonego do urządzenia
  - Nie należy używać urządzenia dłużej niż 30 minut bez przerwy. Nieprzestrzeganie zalecenia może doprowadzić do przegrzania silnika i awarii. W przypadku chęci ciągłego używania należy przerwać pracę na 5 minut w celu ostudzenia silnika.
  - Nie należy uderzać ani upuszczać urządzenia.
  - Jeśli urządzenie wydaje nietypowe dźwięki, emituje nadmiernie ciepło lub dym, należy natychmiast zaprzestać jego używania i skontaktować się z Serwisem Hurom. Zapach odczuwany podczas używania nowego urządzenia w naturalny sposób z czasem zniknie.
  - Należy wyciągnąć wtyczkę przewodu zasilającego z gniazdka, gdy urządzenie nie jest używane. Wyciągając przewód zasilający z gniazdka należy chwycić za wtyczkę
  - Nie należy czyścić urządzenia w temperaturze 80°C lub wyższej. Nie należy umieszczać go w zmywarce, suszarce, kuchence mikrofalowej itp. Nieprzestrzeganie zalecenia może doprowadzić do awarii i/lub deformacji części.
  - Urządzenie waży około 5,4 kg. Podczas przenoszenia urządzenia, należy trzymać korpus mocno obiema rękoma. Trzymając urządzenie za misę lub z boku korpusu głównego, korpus może spaść i spowodować obrażenia ciała lub nieprawidłowe działanie.
  - Nie należy używać sprzętów gospodarstwa domowego do celów komercyjnych. Nadmierne wyciskanie dużej ilości składników może doprowadzić do uszkodzenia części. W przypadku chęci wykorzystania urządzenia do celów komercyjnych, prosimy o kontakt z Serwisem Hurom.
- W miarę możliwości zaleca się natychmiastowe spożycie wyciśniętego soku i nie przechowywanie go przez dłuższy okres czasu w lodówce
  - Nie należy używać urządzenia do rozdrabniania ziaren. Nieprzestrzeganie zalecenia może doprowadzić do uszkodzenia lub nieprawidłowego działania produktu.
  - Nie należy wyciskać pulpy ponownie.
  - Nie należy używać urządzenia przed włożeniem jakichkolwiek składników.
  - Nie należy wkładać składników do komory wsadowej powyżej zaznaczonego limitu.
  - Nie należy używać urządzenia dłużej niż 30 minut bez przerwy.
    - Może to doprowadzić do przegrzania silnika i spowodować awarię. W przypadku chęci ciągłego używania, należy przerwać pracę na 5 minut w celu ostudzenia silnika.
  - Nie należy wkładać pałeczek, tyżek itp do wylotu soku/pulpy podczas pracy urządzenia.
  - Do wkładania składników nie należy używać niczego innego niż popychacz. Nieprzestrzeganie zalecenia może doprowadzić do uszkodzenia części lub spowodować obrażenia ciała i/lub doprowadzić do awarii.
  - Nie należy obsługiwać przetłaczni zasilania mokrymi rękami.
    - Może to doprowadzić do porażenia prądem, zwarcia i/lub pożaru. Nie można dopuścić do kontaktu substancji obcych i należy uważać, aby substancje obce nie znalazły się w jego pobliżu.



## 2. Uwagi dotyczące eksploatacji

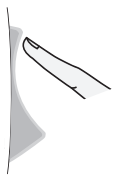
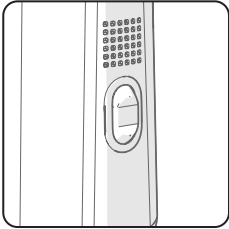
- Użytkownik urządzenia powinien upewnić się, że rozumie, jak odpowiednio przygotować składniki przed ich włożeniem do komory wsadowej.
    - Nieprawidłowo przygotowane składniki mogą utrudnić proces wyciskania i/lub spowodować uszkodzenie urządzenia.
  - Składniki wymagające specjalnej uwagi
    - W przypadku stosowania samych miękkich składników, takich jak banany, dojrzałe kiwi i pomidory, sok może zatrzymać się w komorze, co może utrudnić wyciskanie. Należy mieszać je z twardymi składnikami.
    - Wkładając orzechy włoskie, orzeszki ziemne, migdały, pestki słonecznika, orzeszki pinii, fasolę itp. należy włożyć tylko niewielką ilość lub dodać je razem z innymi składnikami po namoczeniu w wodzie.
  - Składniki, których nie można wyciskać
    - Nie należy używać składników takich jak sezam, ziarna kawy, chińska papryka, kora drzew i igły sosnowe. Nie należy wkładać miękkawek, węgorki, krewetek, ślimaków bagiennych, kalmarów itp.
    - Nie należy używać owoców nasączonych alkoholem, miodem lub cukrem (winogrona, maliny, morwy itp.) oraz enzymów (solanki kolczystej, sosny skalnej itp.).
    - Nie należy używać składników, których właściwości utrudniają wyciskanie soku, takich jak oliwki, aloes, kaktus, pigwa, stodki ziemniak, korzeń kudzu, trzcina cukrowa, żółędzie i mniszek lekarski.
    - Nie należy wkładać gotowanych składników, takich jak gotowane ziemniaki i gotowana fasola.
    - Nie należy kruszyć lodu.
- Należy używać urządzenia z otwartą zatyczką wylotu soku.
    - Sok może cofnąć się do zbiornika, jeśli zatyczka wylotu soku będzie zamknięta podczas wyciskania.
  - Nie używać, gdy w górnej części korpusu znajduje się duża ilość wody lub soku warzywnego.
  - Aby zapewnić płynną ekstrakcję dużych ilości mięszu, należy regularnie opróżniać pojemnik na miąższ.
    - Jeśli pojemnik na pulpę nie zostanie opróżniony, może zostać wypchnięty lub działanie produktu może zostać wstrzymane.
    - Pulpka może kapać na korpus po odłączeniu komory po zakończeniu wyciskania.

### Uwaga

1. Z uschniętych składników, które przez długi czas były przechowywane w lodówce lub zamrożonych owoców może powstać tylko niewielka ilość soku lub może on nie powstać wcale.
2. Jeśli produkt niezostanie oczyszczony natychmiast po użyciu, pulpa może wyschnąć, co utrudnia demontaż urządzenia i czyszczenie, a także powoduje pogorszenie wydajności. Dlatego, jeżeli to możliwe, należy wyczyścić urządzenie natychmiast po użyciu.

### 3. Informacje dotyczące przetłaczni zasilania

Przed uruchomieniem urządzenia należy nacisnąć przetłaczni zasilania.



[ON]: ON – włącza urządzenie i wyciska składniki.



[●]: Stop – Należy nacisnąć, aby zatrzymać pracę urządzenia.



[REV]: REV – REV – Należy nacisnąć, gdy dojdzie do zatrzymania pracy z powodu przeciążenia składnikami.  
 ※ Urządzenie działa tylko po naciśnięciu tego przycisku i zatrzymuje się po zwolnieniu przycisku.

### 4. Środki ostrożności, jak należy podjąć przed wyciskaniem soku

※ Jeżeli użytkownik ma alergię, powinien się upewnić, że wybrał odpowiednie dla siebie składniki.

※ Informacje na temat korzystania z urządzenia i porady dotyczące różnych składników można znaleźć w książce z przepisami.

※ Należy przygotować składniki w wielkości, umożliwiającej ich włożenie do komory wsadowej. Jeśli użytkownikowi zależy na szybszym lub wydajniejszym procesie wyciskania, składniki należy pokroić na nieco mniejsze kawałki.

Po wyciśnięciu około 1 kg składników należy powtórzyć krok „demonтаж i płukanie”.

※ Nie należy wkładać składników do komory wsadowej powyżej zaznaczonego limitu.

※ Podczas wyciskania miękkich owoców, sok może zatrzymywać się w komorze.

※ Wyciskane włóknistych owoców i warzyw może powodować powstanie gęstego soku.

※ Składniki, których należy unikać (ich wyciskanie może spowodować uszkodzenie urządzenia):

- Składniki, których nie można wycisnąć, takie jak sezam, ziarna kawy, chińska papryka, kora drzew i igły sosnowe, a także miękkawki, węgorek, krewetki, ślimaki bagienne, kalmary itp.

- Owoce nasączone alkoholem, miodem lub cukrem (winogrona, maliny, morwy itp.) oraz enzymy (solanka kolczysta, sosna skalna itp.).

- Składniki, których właściwości utrudniają wyciskanie soku, takie jak oliwki, aloes, kaktus, pigwa, banany, słodki ziemniak, korzeń kudzu, trzcina cukrowa, żółędzie i mniszek lekarski

- Gotowane składniki, takie jak gotowane ziemniaki i gotowana fasola.

- Lód.

※ Nie należy używać urządzenia do rozdrabniania ziaren.

※ Należy zapoznać się z zaleceniami zawartymi w "Uwagi dotyczące eksploatacji" (patrz s.77).

## 4-1. Śruba multi



- Ponieważ niektóre składniki wymagają szczególnej ostrożności podczas przygotowywania, prosimy o zapoznanie się z poniższymi instrukcjami dotyczącymi przygotowania składników.
- Podczas wyciskania soku kilka razy pod rząd lub wyciskania dużej ilości soku, należy powtarzać cykl "wyciskanie, demontaż, czyszczenie".
- Aby szybciej wycisnąć sok, należy pokroić składniki na drobne kawałki.

### Owoce cytrusowe

#### Grejfruty, pomarańcze, cytryny itp.

Należy przygotować składniki, obierając je i krojąc na mniejsze kawałki, aby zmieścić się w otworze komory wsadowej. Należy usunąć wszystkie twarde, niemożliwe do przecięcia pestki przed włożeniem owoców do komory wsadowej.

### Owoce z grubą skórą

#### Ananasy, smoczeowoce, melony, arbuzy, granaty itp.

Należy przygotować składniki, obierając je i krojąc na mniejsze kawałki, aby zmieścić się w otworze komory wsadowej. Należy usunąć wszystkie twarde, niemożliwe do przecięcia pestki przed włożeniem.

### Owoce z twardymi pestkami

#### Winogrona, jabłka, brzoskwinie, persymony, śliwki, wiśnie, gruszki, melonykoreańskie itp.

W przypadku składników zawierających twarde, niemożliwe do przecięcia pestki lub pestki o dużych rozmiarach, takich jak brzoskwinie, należy usunąć je przed włożeniem owoców do komory wsadowej.

Twarde pestki mogą zatrzymać pracę urządzenia i uszkodzić części. Pestki jabłek zawierają toksyny, więc należy usunąć je w możliwie najdokładniejszy sposób. W przypadku winogron, po dokładnym oczyszczeniu należy zerwać każde winogrono z kiści. Jeżeli składniki są zbyt miękkie nie należy wyciskać soku tylko z nich. Należy zmieszać je z matą ilością twardego składnika.

### Owoce miękkie

#### Jagody, pomidorki koktajlowe, ananasy itp.

※ Należy dokładnie oczyścić i pokroić składniki na małe kawałki, które zmieszczą się w otworze komory wsadowej. W przypadku owoców i warzyw z szypułkami należy najpierw usunąć szypułki.

Wyciskaniemieszanychowoców(truskawki, kiwi, banany, pomidory, mango itp.)

※ **W przypadku suchych i lepkich składników, należy wymieszać je z innymi składnikami do wyciśnięcia. Należy usunąć skórkę i łodygi, oraz pestki, jeśli są.**

### Warzywa korzeniowe

#### Marchew, buraki, imbir, bataty, ziemniaki, czosnek itp.

Należy umyć składniki pod bieżącą wodą, aby usunąć zanieczyszczenia. W przypadku składników włóknistych, takich jak imbir, należy obrać zewnętrzną skórkę i pokroić na małe kawałki. W przypadku długich składników należy pokroić je na krótsze części.

### Warzywa liściaste i łodygowe

#### Seler, jarmuż, kapusta, rukiew wodna, trawa pszeniczna, szczypiorek itp.

Łodygi warzyw liściastych są włókniste, w związku z czym może dojść do owinięcia ich wokół wałka ślimakowego. Przed wyciskaniem należy pokroić składniki na kawałki o wielkości 3 cm lub mniejsze.

- W przypadku wyciskania składników innych niż warzywa korzeniowe, liściaste i łodygowe może dojść do gromadzenia się pulpy w komorze.

### Owoce mrożone

#### Owoce z grubą skórą, takie jak arbuzy i melony

Przed zamrożeniem należy obrać zewnętrzną skórę i pokroić składniki na mniejsze kawałki, aby zmieścić się w komorze wsadowej.

#### Owoce pestkami, takie jak mango, brzoskwinie i winogrona

Należy używać mrożonych owoców po usunięciu pestek. W przypadku owoców o twardych, niemożliwych do przecięcia pestkach, takich jak mango, brzoskwinie i cytryny, należy usunąć je przed zamrożeniem.

#### Miękkie owoce i warzywa, takie jak banany, truskawki, kiwi i pomidory

Banany, kiwi itp. należy obrać i pokroić na kawałki o długości od 3 do 4 cm przed ich zamrożeniem. W przypadku pomidorów koktajlowych, truskawek itp. należy usunąć szypułki, a następnie je zamrozić.

## Śruba multi

- Służy do robienia napojów z pokruszonego lodu oraz soku, koktajli, lodów itp. z mrożonych owoców.
- Owoce należy mrozić pokrojone na kawałki o wielkości 2 cm.
- Nigdy nie należy używać urządzenia do kruszenia lub mielenia lodu lub innych składników.
- Produkt może się zatrzymać w przypadku włożenia za jednym razem zbyt dużej ilości składników lub większych kawałków, dlatego należy pamiętać o wkładaniu niewielkich ilości na raz (do dodatkowego otworu wsadowego).

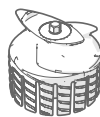
**Część pojemnika**

Pojemnik



**Część komory**

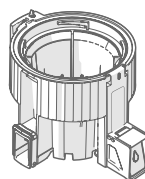
Górna część śruby multi



Dolna część śruby multi



Komora

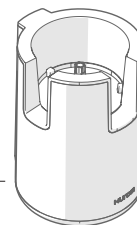


**Część korpusu**

kabel zasilający



Korpus produktu



**Część akcesoriów**

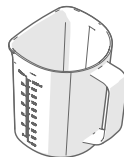
Pojemnik na pulpę



Szczotka do czyszczenia



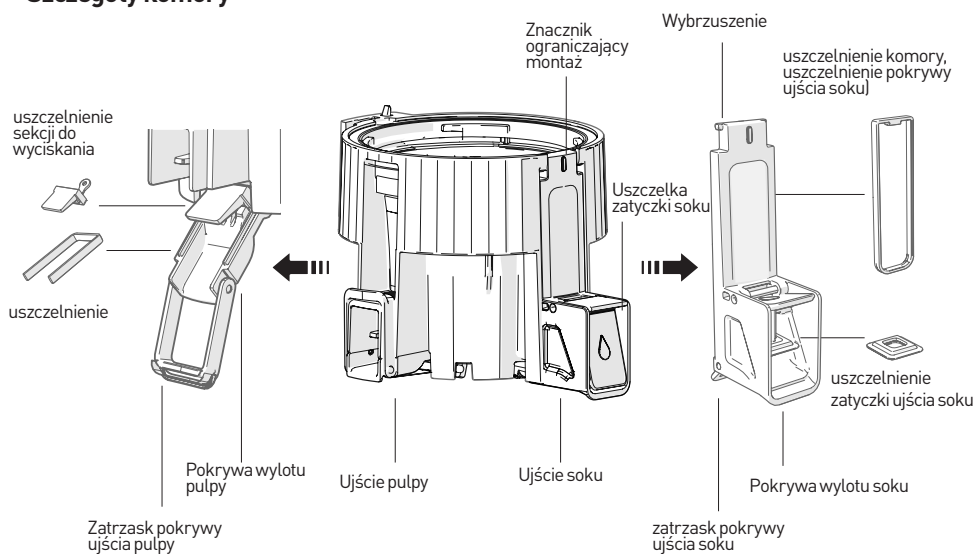
Pojemnik na sok



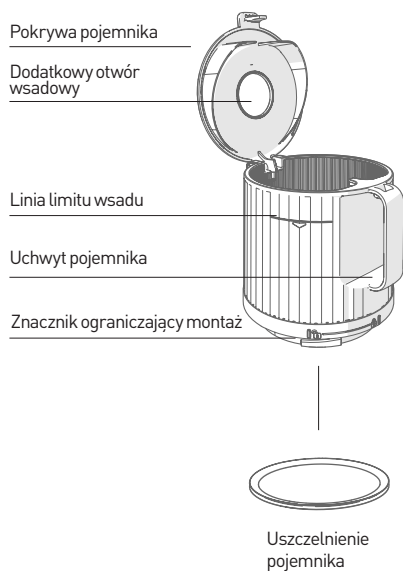
Popychacz



## Szczegóły komory

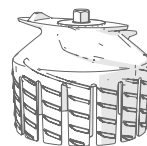


## Szczegóły pojemnika

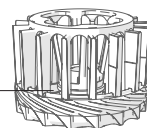


## Szczegóły śruby

Górna część śruby multi



Dolna część śruby multi



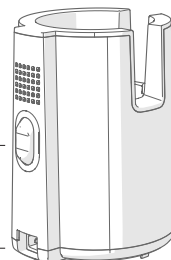
Uszczelnienie śruby



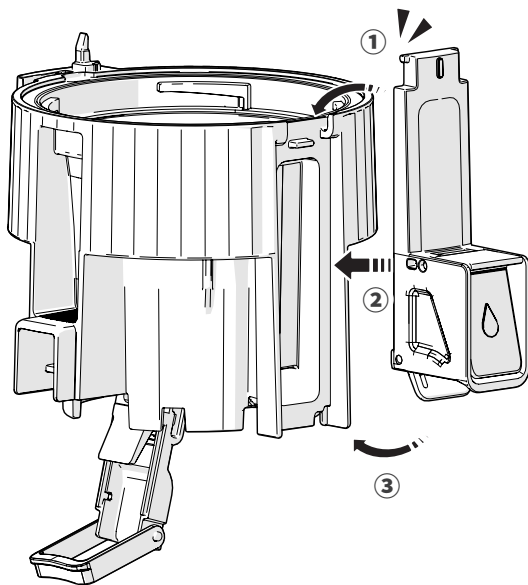
## Szczegóły korpusu

Przełącznik zasilania

Część montażowa przewodu zasilającego



## 01 Montaż Pokrywa wylotu soku

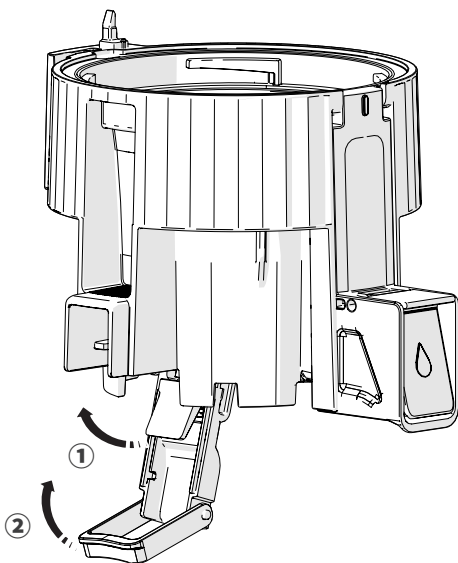


**Zawiesić pokrywę wylotu soku na rowku w górnej części komory, a następnie przymocować haczyk w dolnej części.**

Jeśli uszczelnienie jest nieprawidłowo zamontowane lub zatrzask nie jest prawidłowo zamknięty, pokrywa ujścia pulpy może się otworzyć lub podczas wyciskania może wyciekać sok.

※ Sprawdź, czy uszczelnienie pokrywy ujścia soku i uszczelnienie zatyczki ujścia soku są zamontowane.

## 02 Montaż Pokrywa wylotu pulpy

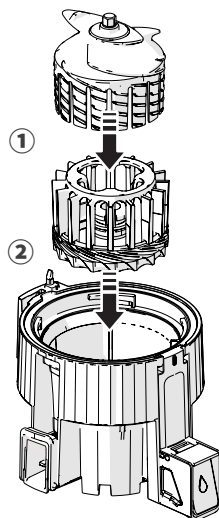


**Zamknąć pokrywę wylotu pulpy i zacześć pierścien.**

Jeśli uszczelnienie jest nieprawidłowo zamontowane lub zatrzask nie jest prawidłowo zamknięty, pokrywa ujścia pulpy może się otworzyć lub podczas wyciskania może wyciekać sok.

※ Sprawdź, czy uszczelnienie sekcji do wyciskania i uszczelnienie są zamontowane.

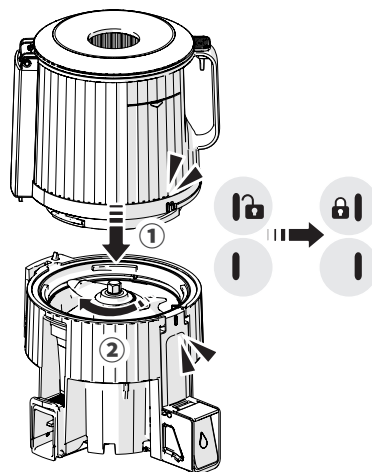
### 03 Montaż śruby wielośrubowej



Umieścić zmontowany multi-śrubunek w komorze i obrócić go w kierunku zgodnym z ruchem wskazówek zegara.

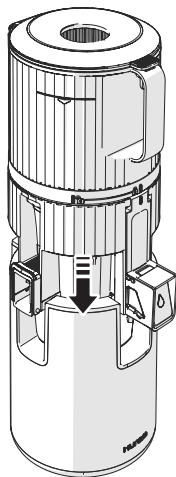
Jeśli części wewnątrz komory nie są prawidłowo zmontowane, produkt może nie działać prawidłowo.

### 04 Montaż zbiornika



Wyrównać oznaczenia na komorze i zbiorniku w celu złożenia, a następnie obrócić zgodnie z ruchem wskazówek zegara w celu całkowitego złożenia.

### 05 Montaż korpusu



Umieścić odpowiednio zmontowany zestaw komory na korpusie.

#### Uwaga

Opuść pokrywę zbiornika, aby ją zamknąć, aż do usłyszenia dźwięku kliknięcia.

Jeśli pokrywa zbiornika nie jest prawidłowo zamknięta, produkt może nie działać prawidłowo.

Zamiast montować go na korpusie, należy najpierw zmontować oddzielnie zestaw komór, a następnie umieścić cały zestaw na korpusie.

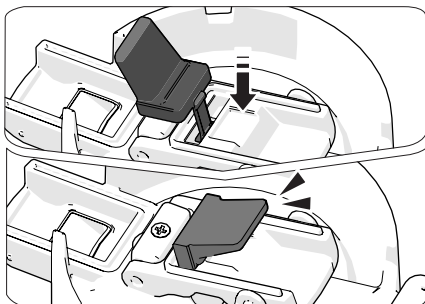
Jeśli urządzenie nie zostanie zmontowane zgodnie z instrukcją montażu, jego prawidłowe złożenie może być trudne.

## 84 7. Montaż i demontaż uszczelki silikonowej

※ Uszczelki silikonowe to materiały eksploatacyjne, które zaleca się wymieniać co 6 do 12 miesięcy. Można je zakupić na stronie <https://bit.ly/3rmmspm>.

(Wyciskarka może przeciekać, jeśli urządzenie nie zostanie prawidłowo zmontowane).

### Uszczelka rynny wylotowej



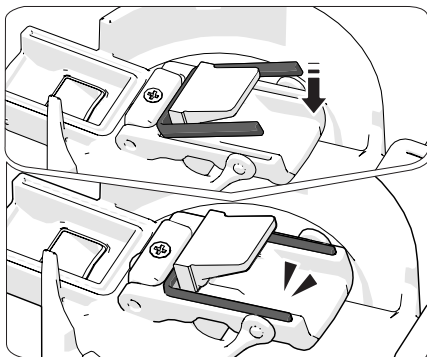
#### Demontaż

Chwycić za uszczelnienie i wyciągnąć je do tyłu. Na korpusie znajduje się pierścień, więc nie można go całkowicie zdemontować.

#### Montaż

Po wyczyszczeniu włożyć wypukłą część korpusu tak, jakbyś ją zaczepił, a następnie wciśnij ją w dół.

### Montaż elementu uszczelniającego rynny wylotową



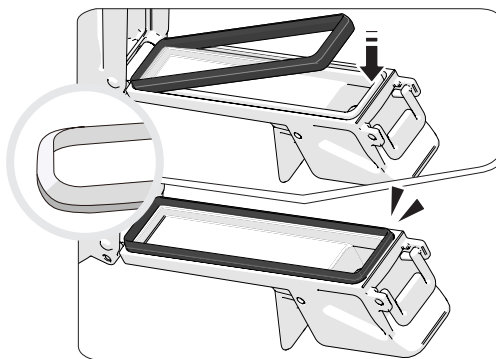
#### Demontaż

Chwycić za uszczelnienie i wyciągnąć je do tyłu.

#### Montaż

Po wyczyszczeniu, włożyć najpierw jedną stronę uszczelnienia, zaczepiając je. Włożyć pozostałą część i docisnąć po obwodzie w dół.

### Uszczelnienie pokrywy ujęcia soku



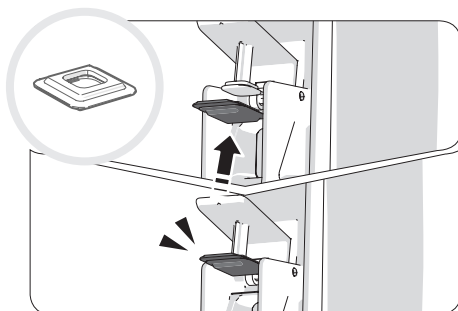
#### Demontaż

Chwycić za uszczelnienie i wyciągnąć je do tyłu.

#### Montaż

Po wyczyszczeniu upewnij się, że nachylona powierzchnia uszczelnienia jest skierowana na zewnątrz przed włożeniem i dociśnięciem.

### Uszczelka zatyczki wylotu



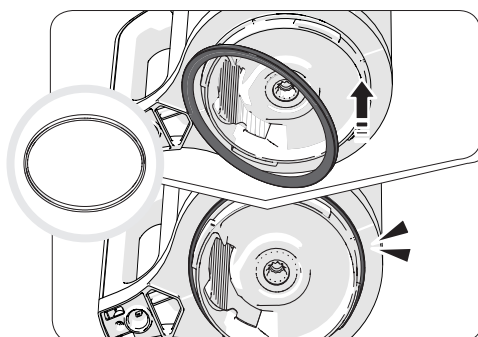
#### Demontaż

Chwycić za uszczelnienie i wyciągnąć je do tyłu.

#### Montaż

Po wyczyszczeniu, włożyć najpierw jedną stronę uszczelnienia, zaczepiając je. Włożyć pozostałą część i docisnąć po obwodzie w dół.

### Uszczelka komory wsadowej



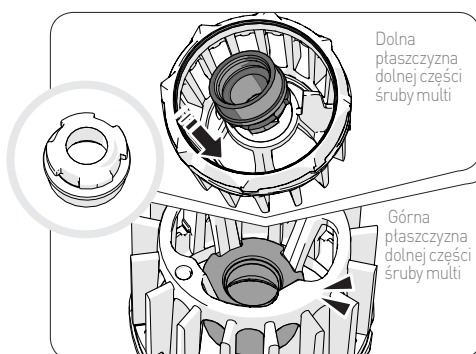
#### Demontaż

Chwycić za uszczelnienie i wyciągnąć je do tyłu.

#### Montaż

Po wyczyszczeniu, włożyć najpierw jedną stronę uszczelnienia, zaczepiając je. Włożyć pozostałą część i docisnąć po obwodzie w dół.

### Uszczelnienie ślimaka

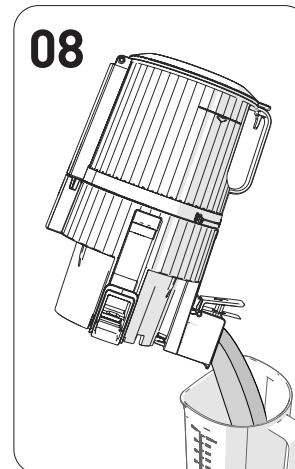
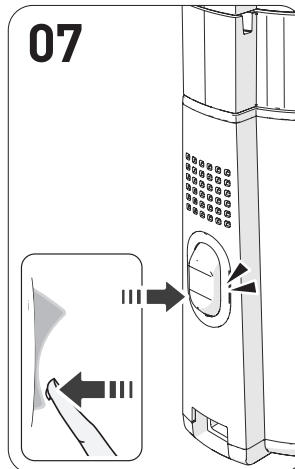
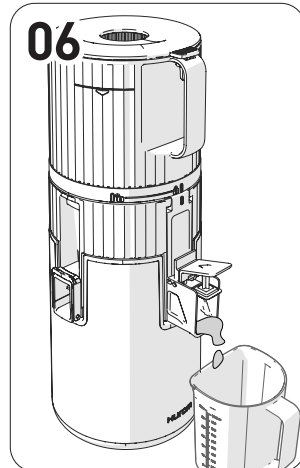
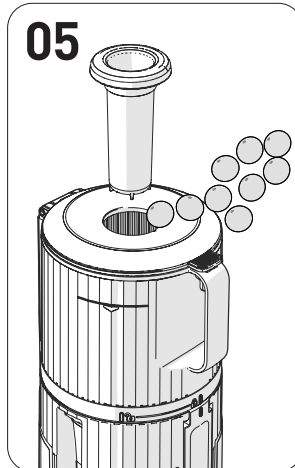
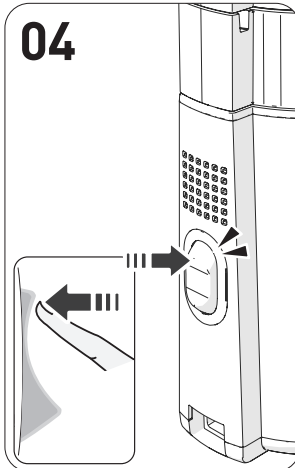
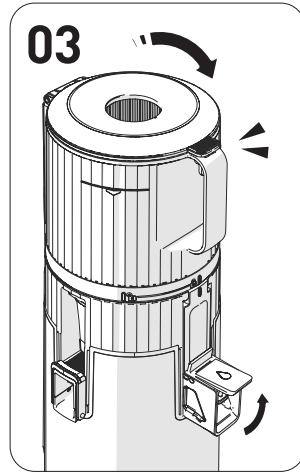
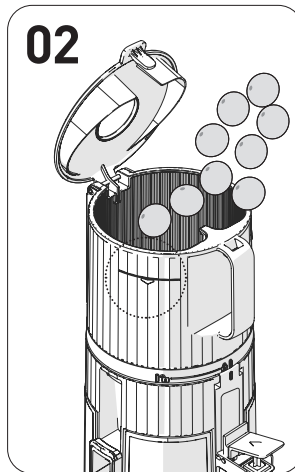
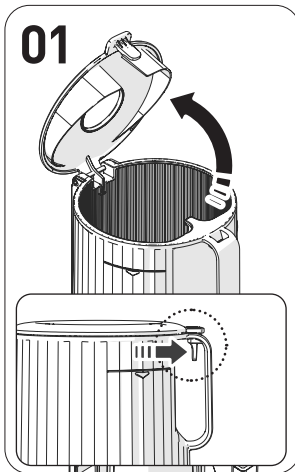


#### Demontaż

Proszę pociągnąć jedną stronę, aby wyjąć ją poniżej.

#### Montaż

Po wyczyszczeniu proszę sprawdzić kierunek i włożyć go w dolną część śruby wielozaciskowej, tak jakby zaczepiał Pan jedną stronę. Włóż korpus i docisnij go tak, aby nie było żadnych zagiętych części.



### 01 Należy otworzyć pokrywę komory wsadowej.

① Pociągnąć dźwignię pokrywy pojemnika, aby ją otworzyć. Wkładanie nadmiernej ilości składników może wywierać silny nacisk na produkt.

### 02 Należy dodawać składniki tylko do znakulimitu komory wsadowej.

① W przypadku miękkich składników, mieszamy je z innymi składnikami do wyciśnięcia.

### 03 Należy zamknąć pokrywę pojemnika i pozostawić otwartą zatyczkę wylotu soku.

① Przed naciśnięciem przycisku ON należy podstawić pojemnik na sok.

② Sok może spłynąć z powrotem do pojemnika, jeśli zatyczka wylotu soku jest zamknięta podczas wyciskania. Jeśli sok nie wypływa nawet po otwarciu zatyczki wylotu soku, należy otworzyć pokrywę komory i usunąć zawartość.

### 04 Nacisnąć krótko przełącznik zasilania, aby rozpocząć pracę.

① Dźwięk „kliknięcia” podczas pracy urządzenia jest dźwiękiem zamknięcia zestawu komory i korpusu.

### 05 Aby dodać więcej składników podczas pracy, należy użyć dodatkowego otworu wsadowego lub otworzyć pokrywę komory wsadowej.

① Po otwarciu pokrywy komory urządzenie zatrzymasz się.  
 ② Podczas ładowania produktów nie należy używać niczego innego niż przeznaczony do tego popychacz.  
 ③ W przypadku, gdy wałek ślimakowy się obraca, ale składniki nie zostały zmielone w pojemniku podczas wyciskania, należy użyć popychacza, aby je docisnąć.

### 06 Należy pozwolić urządzeniu pracować jeszcze przez około 1 minutę po tym, jak ostatni składnik zostanie wyciśnięty.

① Wyciskanie ostatniego składnika zajmuje trochę czasu ponieważ urządzenie powoli dociska składniki.  
 ② Należy uruchomić urządzenie po zakończeniu wyciskania, aby przemielić resztki pulpy. Dzięki temu demontaż i czyszczenie będą łatwiejsze.  
 ③ Łatwo jest usunąć resztki pulpy przy wielokrotnym wykonywaniu obrotów wstecz i w normalnym kierunku.

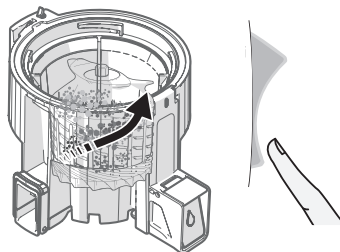
### 07 Po zakończeniu wyciskania soku i usunięciu pulpy, należy nacisnąć przełącznik zasilania, aby zatrzymać urządzenie.

① Wyciskarka zatrzymuje się 3 sekundy po zatrzymaniu za pomocą przełącznika zasilania.

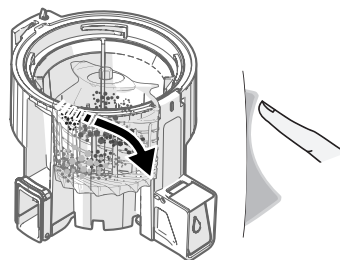
### 08 Należy wylać pozostałość soku, przechylając komorę do przodu.

① W przypadku gęstego soku z pomidorów itp. sok może nadal pozostawać w komorze.  
 ② Podczas odłączania komory, w zależności od wyciskanych składników, z korpusu produktu może kapać pulpa.

01



02



### 01 Należy nacisnąć i przytrzymać przycisk [REV] przez 3-5 sekund, a następnie zwolnić przycisk 2-3 razy.

Przycisk [REV] popycha składniki z powrotem do góry. Bieg wsteczny trwa tylko po naciśnięciu przycisku, podczas gdy wałek zatrzymuje się po zwolnieniu przycisku.

### 02 Po całkowitym zatrzymaniu obrotu wstecznego.

Należy wcisnąć przycisk [ON], aby wznowić działanie urządzenia. Naciskając przycisk [ON/Extract] lub [REV/Reverse], należy pamiętać, aby nacisnąć go po całkowitym zatrzymaniu wałka.

#### Uwaga

Jeśli urządzenie nie działa nawet po wykonaniu powyższych czynności, należy wyciągnąć wtyczkę przewodu zasilającego z gniazdka, odłączyć zestaw komory, umyć i użyć ponownie. Ze względu na swoją charakterystykę silnik nie zatrzyma się od razu, ale zamiast tego będzie nadal powoli obracać się w kierunku działania, zanim całkowicie się zatrzyma.



## 11. Przed zgłoszeniem się do naprawy

Przed zgłoszeniem się do naprawy należy zapoznać się z poniższymi informacjami. W celu przeprowadzenia naprawy serwisowej należy skontaktować się z serwisem przez formularz (zakładka WSPARCIE/zgłoszenie serwisowe) na stronie [www.hurom.pl](http://www.hurom.pl). W celu przeprowadzenia naprawy serwisowej lub zamówienia części należy podać numer serwisowy i numer seryjny urządzenia (pod urządzeniem), dowód zakupu lub numer rejestracji urządzenia.

89

<p><b>01. Gdy zaczyna działać, słychać dźwięk „kliknięcia”.</b></p>	<p>Jest to dźwięk aktywacji silnika za pomocą wałka ślimakowego. Tonie jest usterka.</p>
<p><b>02. Urządzenie nie działa po połączeniu z korpusem.</b></p>	<p>Należy sprawdzić, czy zestaw komory i korpus urządzenia są prawidłowo zmontowane. Należy pamiętać, aby wyciągnąć zasilanie na czas montowania lub demontażu urządzenia.</p>
<p><b>03. Nie można zmontować urządzenia tak, aby było wyrównane z czujnikiem bezpieczeństwa.</b></p>	<p>Należy sprawdzić, czy urządzenie jest zmontowane zgodnie ze znacznikiem ograniczającym.</p>
<p><b>04. Urządzenie nie działa.</b></p>	<p>Należy sprawdzić, czy przewód zasilający jest prawidłowo włożony. Urządzenie może nie działać po dłuższym czasie (30 minut lub dłużej). Będzie działać normalnie po ostygnięciu korpusu urządzenia (silnika).</p>
<p><b>05. Urządzenie zatrzymuje się podczas normalnej pracy.</b></p>	<p>Należy sprawdzić, czy komora wsadowa jest prawidłowo zmontowana. Jeśli komora wsadowa zostanie zamontowana nieprawidłowo, urządzenie nie będzie działać. Będzie działać tylko wtedy, gdy symbol kłódki na misie i znacznik ograniczający montaż komory zostaną zmontowane w taki sposób, aby były zwrócone do siebie. Należy sprawdzić, czy urządzenie jest zmontowane zgodnie z krokami określonymi w instrukcji montażu. Patrz strona instrukcji montażu (strona 83). Czy nie włożono zbyt dużej ilości składników lub wyjątkowo gęstych składników? Patrz strona 87 instrukcji, aby aktywować obroty wsteczne. Ze względów bezpieczeństwa, ustawiony jest zegar, który zatrzymuje się automatycznie po około 5 minutach od rozpoczęcia pracy. Należy ponownie nacisnąć krótko przelącznik zasilania, aby rozpocząć pracę.</p>
<p><b>06. Widoczne pęknięcia i zadrapania na wałku ślimakowym.</b></p>	<p>Ślady i linie na wałku ślimakowym powstają podczas procesu produkcyjnego i są całkowicie normalne. Nie wpływa to na pracę urządzenia.</p>
<p><b>07. Sok wycieka przez wylot pulpy natychmiast po włożeniu składników.</b></p>	<p>W zależności od włożonych składników przez wylot pulpy mogą wyciekać niewielkie ilości soku. Nie jest to wada urządzenia, ale raczej zjawisko spowodowane właściwościami składników. Wyciek ustanie, gdy urządzenie zacznie pracować. Jeśli wyciek nie ustąpi, prosimy o kontakt z Serwisem Hurom.</p>
<p><b>08. Sok wraca do pojemnika.</b></p>	<p>Czy wyciskanie odbywało się przy zamkniętej zatyczce wylotu soku? Podczas wyciskania z zamkniętą zatyczką wylotu soku, sok może spływać z powrotem do pojemnika. Jeśli zawartość nie wypłynie wystarczająco nawet po ponownym otwarciu zatyczki wylotu soku, należy otworzyć pokrywę komory wsadowej i opróżnić ją.</p>
<p><b>09. Sok przecieka między pojemnikiem a komorą lub między komorą a korpusem produktu.</b></p>	<p>Czy uszczelka tacki lub uszczelka ślimaka są prawidłowo zainstalowane? Sok będzie wyciekać, jeśli uszczelnienie pojemnika lub uszczelnienie ślimaka zostało zmontowane do góry nogami lub jest niekompletne. Sprawdzić, czy uszczelnienie jest prawidłowo zmontowane.</p>
<p><b>10. Pojemnik nie otwiera się.</b></p>	<p>Wewnątrz mógł pozostać nadmiar pulpy. Należy uruchomić urządzenie, aby usunąć pulpę do środka lub powtórzyć proces aktywowania obrotów wstecznych na około 10 sekund, a następnie zatrzymania 2-3 razy. Wówczas komora wsadowa otworzy się bez problemu. Czy nie włożono żadnych obcych substancji lub ciał stałych (twardych nasion, takich jak nasiona persymony)? Jeśli jakiegokolwiek obce substancje lub ciała stałe zostaną włożone, części mogą zostać poważnie uszkodzone podczas próby obrotu wstecz, dlatego prosimy o kontakt z Serwisem Hurom.</p>
<p><b>11. Komora drży (podczas wyciskania).</b></p>	<p>Urządzenie może się lekko chwiać z powodu ruchów silnika. W zależności od właściwości składników (twardych lub gęstych), ruchy są generowane w różnych wielkościach. Nie jest to usterka, ale raczej normalne zjawisko obserwowane podczas obracania się wałka ślimakowego. W porównaniu do miękkich składników o dużej zawartości wody, stosunkowo twardsze składniki mogą emitować większe wstrząsy (np. marchew, ziemniaki, rzodkiewki, buraki, kalarepa itp.)</p>
<p><b>12. Podczas wyciskania słychać nietypowy dźwięk.</b></p>	<p>To naturalny dźwięk, który powstaje podczas miażdżenia składników. Jeśli składniki są twarde lub włókniste, takie jak jabłka, marchew, kapusta, seler, buraki itp., dźwięk wyciskania może być głośniejszy niż podczas wyciskania soku z bardziej miękkich składników.</p>

## OBSAH

- p.90 1. Bezpečnostní opatření pro bezpečné použití
- p.91 2. Bezpečnostní opatření během používání
- p.92 3. Pokyny pro použití vypínače /  
4. Bezpečnostní opatření před odšťavňováním
- p.94 5. Komponenty
- p.96 6. Způsob sestavení
- p.98 7. Montáž a demontáž silikonu
- p.100 8. Způsob použití
- p.101 9. Když se multifunkční šroub během používání zastaví
- p.102 10. Způsob demontáže a čištění
- p.103 11. Než požádáte o opravu

### Před přečtením návodu

1. Přečtěte si „Bezpečnostní opatření pro bezpečné použití“ (str. 90–91) a používejte spotřebič správně.
2. Po přečtení návodu jej uschovejte na dostupném místě pro budoucí nahlédnutí.
3. Nepoužívejte spotřebič v zahraniční zemi, která má jiné napájení a napětí.
4. Veškerá vylepšení kvality jsou vyhrazena bez předchozího upozornění.



### 1. Bezpečnostní opatření pro bezpečné použití

- 01 Měli byste si přečíst <Bezpečnostní opatření>  
02 Měli byste dodržovat <Bezpečnostní opatření>  
03 Bezpečnostní opatření jsou klasifikována následovně.



**Varování** !Porušení kterékoli z varovných značek může způsobit vážné zranění nebo smrt.

- **Nezasouvejte ani nevytahujte napájecí kabel mokřýma rukama.**
- **Používejte pouze správné napětí, které je uvedeno na záručním listu a ve specifikacích výrobku. Nedodržení tohoto pokynu může mít za následek úraz elektrickým proudem, požár nebo zhoršení funkce spotřebiče.** Připojení k jinému napětí může zkrátit životnost motoru nebo způsobit poruchu.
- **Bezpečně zasuňte zástrčku napájecího kabelu až na doraz do zásuvky.**
- **Neohýbejte, nesevazujte, nepoškozujte ani netahejte za napájecí kabel silou, ani jej neumísťujte do blízkosti**

vysokých teplot nebo tepla, jako je plynový sporák. Na výrobek také nepokládejte žádné těžké předměty, nezasouvejte jej do úzkého prostoru ani jej nijak neupravujte.

• **V žádném případě jej nepřestavujte.**

Nepokoušejte se jej také sami rozebírat nebo opravovat.

• **Nevkládejte žádné cizí předměty, jako je prst nebo špendlík, do žádné štěrbině nebo otvoru v těle výrobku.**

Mohlo by to způsobit požár, úraz elektrickým proudem, zranění a/nebo poruchu. Pro poprodejní servis a údržbu produktu kontaktujte servisní středisko HUROM.

• **Pokud je zástrčka poškozená, neopravujte ji ani nepřestavujte sami a místo toho navštivte poprodejní servisní středisko nebo pobočku.**

• **Zabraňte namočení těla produktu nebo stříkání vody na tělo produktu.** Zajistěte, aby se do vypínače produktu nedostala voda nebo cizí materiál.

• **Neovládejte vypínač mokřýma rukama.**

• **Z bezpečnostních důvodů vždy uzemněte elektrickou zásuvku.** Neuzemňujte ji k plynovému potrubí, plastovému vodovodnímu potrubí nebo telefonnímu vedení. Ujistěte se, že používáte uzemněnou zásuvku.

• **Během provozu se nepokoušejte demontovat žádné části sady komory ani vkládat cizí předměty, jako jsou prsty nebo lžice, do vstupu nebo výstupu štávy.**

• **Nepoužívejte spotřebič v dosahu dětí.** Děti by měly být pod pečlivým dohledem, aby si s tímto zařízením nehrály. Pokud do něj děti náhodně narazí a jej shodí na zem, hrozí nebezpečí zranění nebo poruchy.

• **Osoba, která není obeznámena s manipulací s výrobkem, by jej neměla sama používat.** Každý, kdo má fyzické nebo psychické problémy nebo kdo nemá zkušenosti a znalosti, by spotřebič neměl používat bez dozoru.

• **Nepoužívejte výrobek, pokud nosíte nebo držíte magnetické předměty (např. magnetické náramky).**

Umístění magnetických předmětů do blízkosti výrobku může způsobit poruchu.



**Upozornění** Porušení kterékoli z výstražných značek může vést k vážnému zranění nebo smrti.

• **Neprovozujte výrobek, pokud nejsou sada těla výrobku a sada komory bezpečně připojeny.**

• **Pokud dojde k úniku plynu apod., nedotýkejte se napájecího kabelu, ale místo toho otevřete okna a prostor důkladně vyvětrejte.**

• **Pokud se lisovací šroub během normálního provozu přestane otáčet, stiskněte tlačítko „REV“ a podržte jej po dobu 3 až 5 sekund, aby se aktivoval zpětný chod. Po úplném zastavení zpětného chodu stiskněte znovu tlačítko „Zapnutí“ pro obnovení normálního provozu.** Pokud se šroub i nadále během provozu zastavuje, může dojít k poškození součástí nebo ke snížení výkonu v důsledku přehřátí motoru. Pokud takový problém přetrvává, přestaňte výrobek používat a kontaktujte naše místní servisní středisko.

• **Během provozu nepohybujte tělem výrobku, nerozebírejte**

ani nemontujte sadu nebo části komory. Předtím jej zastavte a vytáhněte napájecí kabel.

● **Při používání výrobku dávejte pozor, aby se do vstupu nedostala kravata, dlouhý náhrdelník, šátek apod.**

● **Pro použití umístěte tento výrobek na rovný a stabilní povrch.**

● **Při vkládání ingrediencí do vstupu nepoužívejte hůlku, lžici, žádné tvrdé předměty ani nic jiného než tlačné zařízení.**

● **Nepoužívejte výrobek nepřetržitě déle než 30 minut.**

Mohlo by dojít k přehřátí motoru a poruše. Chcete-li jej znovu uvést do provozu, před použitím zařízení na přibližně 5 minut úplně zastavte.

● **Nevystavujte výrobek nadměrným nárazům a nevystavujte jej pádu.**

● **Pokud zařízení vydává neobvyklé zvuky, nadměrné teplo nebo kouř, okamžitě jej přestaňte používat a kontaktujte servisní středisko.** Zápach při používání nového výrobku přirozeně časem zmizí.

● **Vytáhněte zástrčku napájecího kabelu ze zásuvky, když spotřebič nepoužíváte.** Při vytahování napájecího kabelu také vždy tahejte za zástrčku.

● **Nečistěte výrobek při teplotě 80 °C nebo vyšší.**

Nevkládejte jej do myčky nádobí, sušičky, mikrovlnné trouby atd. Mohlo by dojít k poškození a/nebo deformaci dílů.

● **Výrobek váží přibližně 5,4 kg. Při přemisťování výrobku pevně držte tělo výrobku oběma rukama.** Pokud jej přemisťujete tak, že budete držet pouze komoru nebo strany těla výrobku, může tělo spadnout a způsobit zranění nebo poruchu.

● **Nepoužívejte tento výrobek určený pro použití v domácnosti pro komerční účely.** Nadměrná extrakce velkého množství ingrediencí může způsobit poškození dílů. V případě použití ke komerčním účelům kontaktujte prosím servisní středisko ohledně způsobu použití.



## 2. Bezpečnostní opatření během používání

● **Ujistěte se, že důkladně rozumíte tomu, jak ingredience připravit a před vložením je řádně připravte.**

– Špatně připravené ingredience mohou bránit procesu extrakce a/nebo způsobit poškození výrobku.

● **Ingredience vyžadující zvýšenou péči**

– Při použití samotných měkkých ingrediencí, jako jsou banány, zralé kiwi a rajčata, může šťáva zůstat uvnitř komory, což může ztížit odšťavňování. Přidejte další ingredience, které nejsou příliš měkké.

– Při vkládání vlašských ořechů, arašídů, mandlí, slunečnicových semínek, piniových oříšků, fazolí atd. přidejte pouze malé množství nebo je přidejte s dalšími ingrediencemi po namočení ve vodě.

● **Složky, které nelze odšťavňovat:**

– Nevkládejte ingredience, které nelze odšťavňovat, jako jsou sezamová semínka, kávová zrna, sečuánský pepř, kůra stromů a jehličí. Nevkládejte bahenní ryby, úhoře, krevety, bahenní šneky, olivně atd.

– Nevkládejte ovoce naložené v alkoholu, medu nebo cukru (hroznové víno, maliny, moruše atd.) a enzymy (slanorožec, enzymy z orostachysu japonska atd.).

– Nevkládejte ingredience, jejichž vlastnosti ztěžují odšťavňování, jako je hlošina, aloe, kaktus, kdoule, batáty, kořen kudzu, cukrová třtina, žaludy a pampelišky.

– Vařené ingredience, jako jsou vařené brambory a vařené sladké brambory.

– Nevkládejte led vyrobený zmrazením vody.

● **Vylouhanou zeleninovou šťávu se doporučuje konzumovat pokud možno ihned a neuchovávat ji delší dobu v chladničce.**

● **Tento výrobek nepoužívejte k drcení zrn. Mohlo by dojít k poškození nebo nesprávné funkci.**

● **Neextrahujte znovu šťávu z dužiny, která již byla odšťavněna.**

● **Před vložením jakýchkoli ingrediencí nespouštějte výrobek naprázdno.**

● **Nevkládejte ingredience do zásobníku nad mezní značku.**

● **Nepoužívejte spotřebič nepřetržitě déle než 30 minut.**

– Mohl by se přehřát motor a způsobit poruchu. Při nepřetržitém používání však přerušete provoz a použijte jej opět po přestávce delší než 5 minut.

● **Nevkládejte hůlku ani lžici do výstupu šťávy/dužiny během provozu.**

● **Při vkládání ingrediencí nepoužívejte nic jiného než tlačné zařízení.** Mohlo by dojít k poškození dílů nebo ke zranění a/nebo poruše.

● **Neovládejte vypínač mokřými rukama.**

– Mohlo by dojít k úrazu elektrickým proudem, zkratu a/ nebo požáru. Na vypínač nebo do jeho blízkosti se nesmí dostat cizí látka.

● **Používejte spotřebič s otevřeným uzávěrem odšťavňovače.**

– Štáva může vytékat zpět do zásobníku, pokud je uzávěr odšťavňovače během odšťavňování uzavřen.

● **Nepoužívejte, pokud je v horní části těla velké množství vody nebo zeleninové šťávy.**

● **Při opakované extrakci velkého množství často vyprazdňujte miska na dužinu umístěnou v zadní části výrobku.**

– Pokud není miska na dužinu vyprázdněna, může být vytlačena nebo se může zastavit provoz výrobku.

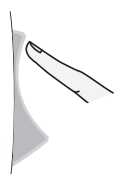
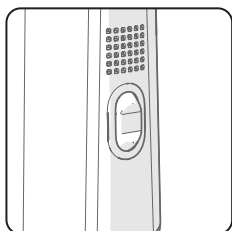
– Dužnina může odkapávat na tělo při sejmutí komory po dokončení odšťavňování.

### Poznámka

1. Zvadlé ingredience, které byly delší dobu skladovány v lednici, nebo mražené ovoce mohou vytvářet pouze malé množství šťávy nebo vůbec žádnou.

2. Pokud není výrobek ihned po použití vyčištěn, může dužnina zaschnout, což ztěžuje její rozebrání a čištění a také může způsobit zhoršení výkonu. Pokud je to možné, vyčistěte spotřebič ihned po použití.

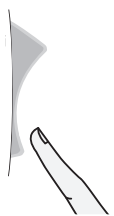
Stiskněte a podržte spínač pro úkony výrobku.



[ ON ] : Zapnutí – spustí motor a vytvoří šťávu.



[ ● ] : Stop – stisknutím tohoto tlačítka zastavíte výrobek.



[ REV ] : REV – stiskněte, když se provoz během používání zastaví z důvodu přetížení materiálem.  
 ※!Spotřebič funguje pouze po stisknutí tlačítka a zastaví se po uvolnění tlačítka.

※ Pokud máte alergii, ujistěte se, že jste při přípravě ingrediencí vybrali správné ingredience pro vaše tělo.

※ Způsob a poznámky k použití spotřebiče pro jednotlivé ingredience se nachází v knize receptů.

※ Připravte ingredience ve velikostech, které lze vložit do zásobníku. Pokud chcete odšťavnit velký objem nebo provést rychlé odšťavňování, nakrájejte ingredience před vložením na menší kousky. U cca 1 kg zopakujte pro použití krok „Demontáž a vyčištění po odšťavňování“.

※ Nevkládejte ingredience do zásobníku nad mezní značku.

※ Při odšťavňování měkkého ovoce může šťáva z ingrediencí stagnovat uvnitř komory.

※ Extrakce vláknitého ovoce a zeleniny může způsobit extrakci husté šťávy.

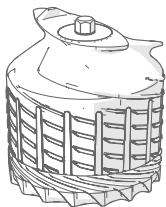
※ Vložení následujících ingrediencí, které nelze odšťavnit, může vést k poškození nebo poruše.

- Ingredience, které nelze odšťavnit, jako jsou sezamová semínka, kávová zrna, čínská paprika, kůra stromů a jehličí, stejně jako bahenní ryby, úhoři, krevety, bahenní šneci, chobotnice atd.
- Ovoce naložené v alkoholu, medu nebo cukru (hroznové víno, maliny, moruše atd.) a enzymy (slanorožec, enzymy z orostachysu japonica atd.).
- Ingredience, jejichž vlastnosti ztěžují odšťavňování, jako je hlošina, aloe, banán, kaktus, kdoule, batáty, kořen kudzu, cukrová třtina, žaludy a pampelišky.
- Vařené ingredience, jako jsou vařené brambory a vařené sladké brambory.
- Led vyrobený zmrazením vody.

※ Nepoužívejte spotřebič k drcení zrn.

※ Viz pokyny v <Opatření během provozu> (viz stranu 91).

## 4-1. Multifunkčního šroubu



- Vzhledem k tomu, že určité ingredience vyžadují při přípravě zvláštní péči, přečtěte si prosím následující pokyny, jak ingredience připravit.
- Při vícenásobném nebo hromadném odšťavňování nakrájejte ingredience na malé kousky a poté zopakujte krok „rozebrání a očištění po odšťavňování“.
- Pro rychlejší odšťavňování nakrájejte ingredience na jemné kousky.

### Citrusové plody

#### Grapefruity, pomeranče, citrony atd.

Ingredience připravíme tak, že je oloupeme a nakrájíme na menší kousky, aby se vešly do vstupu zásobníku. Odstraňte všechna tvrdá, nerozkousatelná semena před vložením.

### Plody se silnou slupkou

#### Ananas, dračí ovoce, melouny, vodní melouny, granátové jablko atd.

Ingredience připravíme tak, že je oloupeme a nakrájíme na menší kousky, aby se vešly do vstupu zásobníku. Před vložením odstraňte všechna tvrdá, nerozkousatelná semena.

### Semenné plody

#### Hrozny, jablka, broskve, tomel, švestky, třešně, hrušky, korejské melouny atd.

U ingrediencí obsahujících tvrdá, nerozkousatelná semena nebo velká semena, jako jsou např. v broskvích, nepamenejte nejprve odstranit semena a nakrájet a připravit pouze dužinu. Tvrdá semena mohou zastavit provoz nebo poškodit díly. Semena jablek obsahují toxické látky, proto je co možná nejlépe odstraňte. U hroznů otrhajte každý hrozen z trsu po důkladném vyčištění. Neextrahujte pouze ingredience, které jsou příliš měkké; místo toho je smíchejte s jiným ovocem a zeleninou.

### Měkké ovoce

#### Jednorázová extrakce (bobule, cherry rajčata, ananas atd.)

※ Ingredience důkladně očištěte a nakrájejte na malé kousky, které se vejdu do vstupu zásobníku. U ovoce a zeleniny se stopkami nejprve odstraňte stopky.

#### Smišená extrakce (jahody, kiwi, banány, rajčata, mango atd.)

### Kořenová zelenina

#### Mrkev, řepa, zázvor, sladké brambory, brambory, česnek atd.

Ingredience omyjte pod tekoucí vodou, abyste odstranili nečistoty a jiné cizí látky. U vláknitých ingrediencí, jako je zázvor, oloupejte vnější slupku a nakrájejte je na malé kousky. Dlouhé ingredience pro extrakci nakrájejte svisle.

### Listová a stonková zelenina

#### Celer, kapusta, zelí, vodní petržel, pšeničná tráva, pažitka atd.

Pro extrakci nakrájejte ingredience na 3 cm nebo kratší kousky. Vzhledem k tomu, že listová a stonková zelenina je hrubá a vláknitá, nelze ji snadno odšťavnit a může se zachytit do multifunkčního šroubu.

- Při odšťavňování jiných ingrediencí než kořenové, listové a stonkové zeleniny může šťáva stagnovat.

### Zmrazené ovoce

#### Ovoce se silnou slupkou, jako jsou melouny a vodní melouny .

Před zmrazením oloupejte vnější slupku a nakrájejte ingredience na menší kousky, aby se vešly do zásobníku.

#### Peckovité ovoce, jako je mango, broskve a hrozny

Používejte pouze mražené ovoce bez pecek. U ovoce, které má tvrdé, nerozkousatelná pecky, jako je mango, broskve a citrony, nepamenejte odstranit pecky a poté je před použitím zmrazit.

U hroznů zmrazte pro použití bezpeckovitý druh.

#### Měkké ovoce a zelenina, jako jsou banány, jahody, kiwi a rajčata)

Banány, kiwi atd. úplně oloupejte a nakrájejte na kousky dlouhé 3 až 4 cm, které se před zmrazením vejdu do otvoru. U cherry rajčátek, jahod atd. odstraňte stopky a poté je zmrazte.

- Používá se k výrobě tříští, smoothies, zmrzliny atd., které používají mražené ovoce.
- Ovoce nakrájejte na 2cm kousky a před použitím je zmrazte.
- Nikdy jej nepoužívejte k drcení nebo mletí ledu nebo jiných ingrediencí.
- Výrobek se může zastavit, pokud je najednou vloženo nadměrné množství ingrediencí nebo objemné kusy, takže se ujistěte, že vkládáte malé množství najednou (do předávného vstupu).

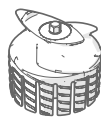
**Zásobník**

Zásobník



**Komora**

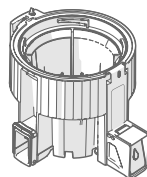
Horní část multifunkčního šroubu



spodní část multifunkčního šroubu



Komora

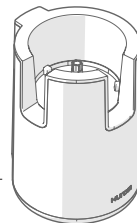


**Tělo**

Napájecí kabel



Tělo



**Náhradní díly**

Miska na dužinu



Miska na šťávu



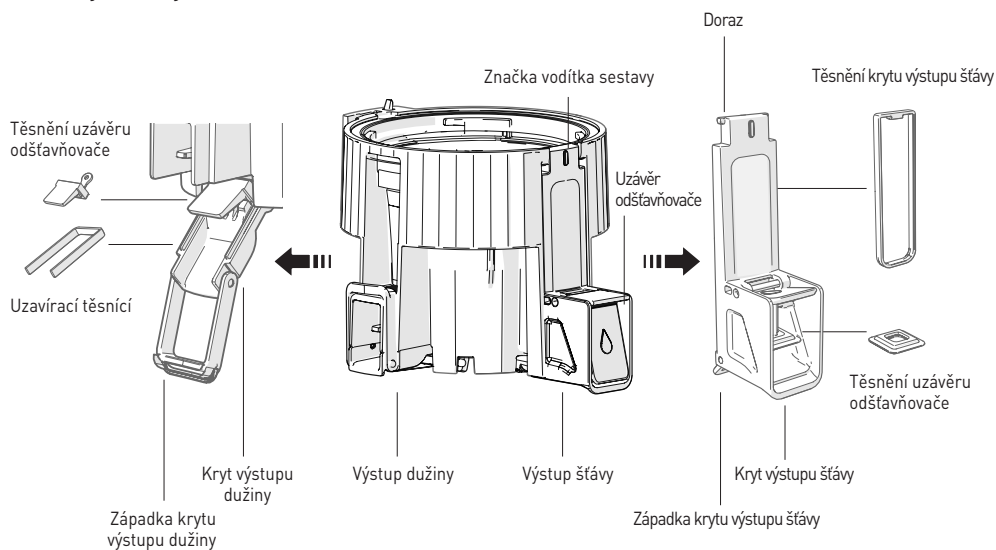
Čisticí kartáček



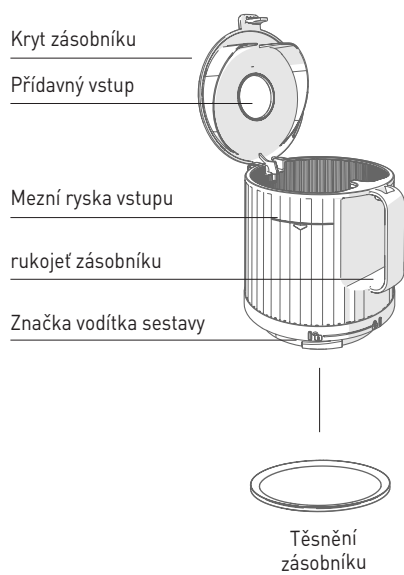
Tlačné zařízení



## Detaily komory

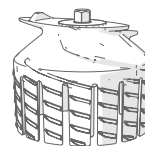


## Detaily zásobníku

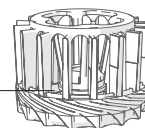


## Detail šroubu/sítka

Horní část multifunkčního šroubu



Spodní část multifunkčního šroubu



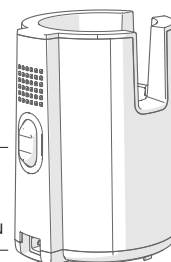
Těsnění šroubu



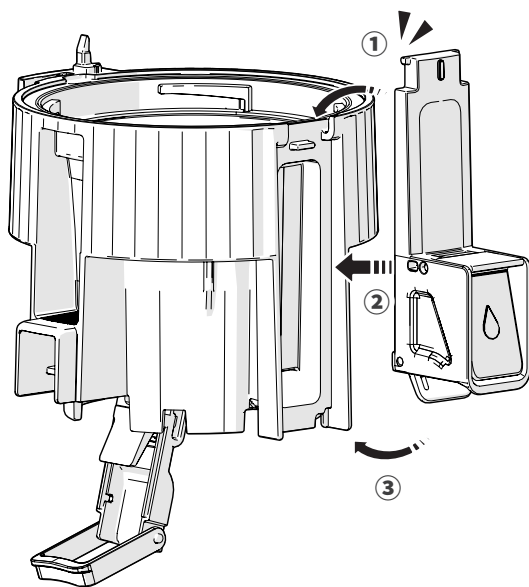
## Detaily těla

Vypínač

Sestava napájecího kabelu



## 01 Sestavte kryt výstupu šťávy

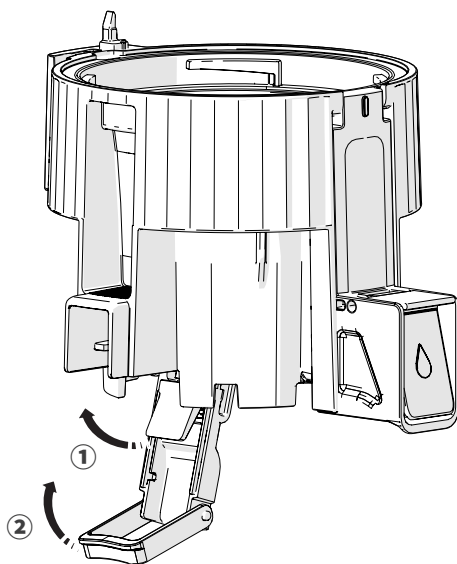


**Zahákněte kryt výstupu šťávy do drážky v horní části komory za účelem sestavení a poté připojte háček ve spodní části.**

Pokud je těsnění nesprávně sestaveno nebo západka není správně uzavřena, kryt výstupu dužiny se během extrakce může otevřít nebo vytéct šťáva.

※ Zkontrolujte, zda je nainstalováno těsnění krytu vypouštění šťávy a těsnění uzávěru odšťavňovače.

## 02 Sestavení kryt výstupu dužiny

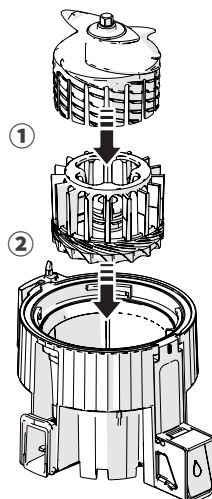


**Zavřete kryt výstupu dužiny a zahákněte kroužek.**

Pokud je těsnění nesprávně sestaveno nebo západka není správně uzavřena, kryt výstupu dužiny se během extrakce může otevřít nebo vytéct šťáva.

※ Zkontrolujte, zda je nainstalováno extrakční těsnění a uzavírací těsnění.

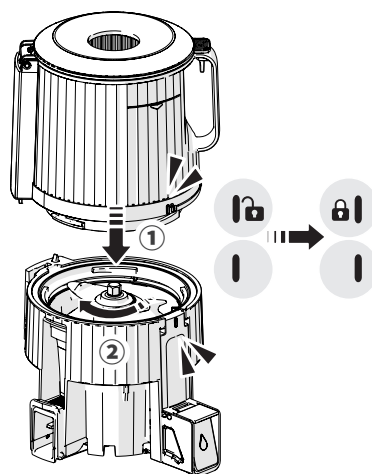
### 03 Sestavení multifunkčního šroubu



Umístěte sestavený multifunkční šroub do komory a otočte jím ve směru hodinových ručiček.

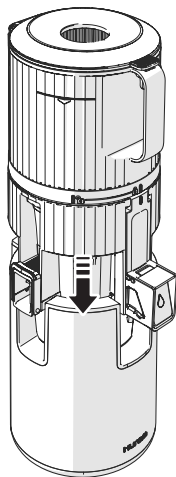
Pokud nejsou vnitřní díly správně sestaveny, zásobník se nezavře.

### 04 Sestavení zásobníku



Zarovnejte značky na komoře a zásobníku, abyste je smontovali, a poté otočte ve směru hodinových ručiček, abyste dokončili sestavení.

### 05 Sestavení těla



Umístěte vhodně sestavenou sadu komory na tělo.

#### Poznámka

Sklopením krytu zásobníku jej zavřete, dokud neuslyšíte cvaknutí.

Pokud není kryt zásobníku správně uzavřen, výrobek nemusí správně fungovat.

– Namísto montáže na tělo sestavte sadu komory nejprve samostatně a poté celou sestavu položte na tělo.

Pokud není sestaven přesně podle montážního návodu, může být obtížné spotřebič správně sestavit.

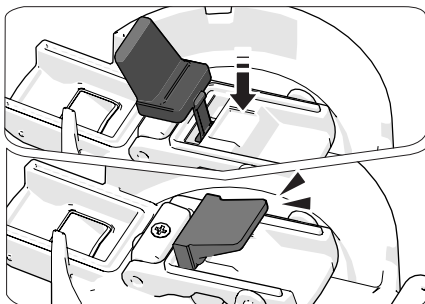
## 98 7. Montáž a demontáž silikonu

※ Silikonové těsnění je spotřební materiál, který se doporučuje vyměnit jednou za 6 až 12 měsíců.

Těsnění lze zakoupit prostřednictvím servisního střediska.

(Pokud výrobek není správně sestaven, nemusí odšťavňovač těsnit.)

### Extrakční těsnění



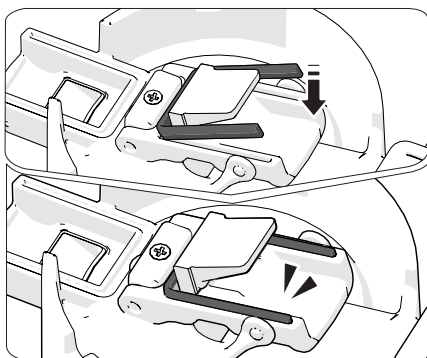
#### Demontáž

Podržte a vyjměte těsnění, jako byste jej tahali zpět.  
Na těsnění je kroužek, takže nebude možné jej úplně rozebrat.

#### Montáž

Po vyčištění vložte konvexní část těsnění, jako byste ji zaháklí, a poté jej zatlačte dolů.

### Uzavírací těsnění



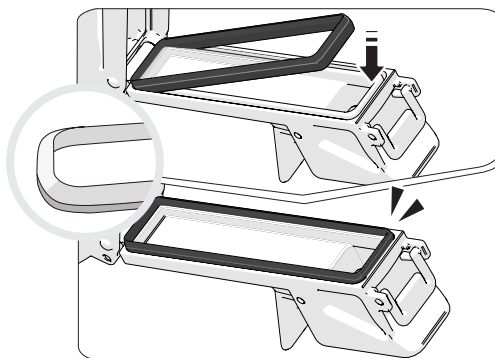
#### Demontáž

Podržte a vyjměte těsnění, jako byste jej tahali zpět.

#### Montáž

Po vyčištění vložte nejprve jednu stranu těsnění, jako byste jej chtěli zaháknout. Vložte zbývající část a stiskněte obvod.

### Těsnění krytu výstupu šťávy



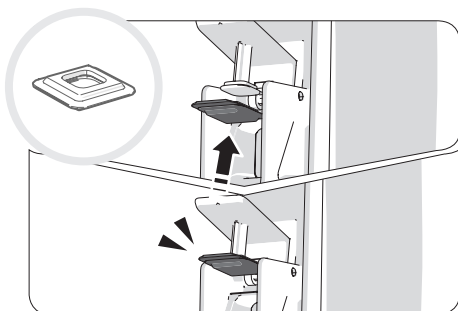
#### Demontáž

Držte a vyjměte těsnění, jako byste jej tahali dozadu.

#### Montáž

Po vyčištění se před vložením a zatlačením přesvědčte, že nakloněný povrch těsnění směřuje ven.

### Těsnění uzávěru odšťavňovače



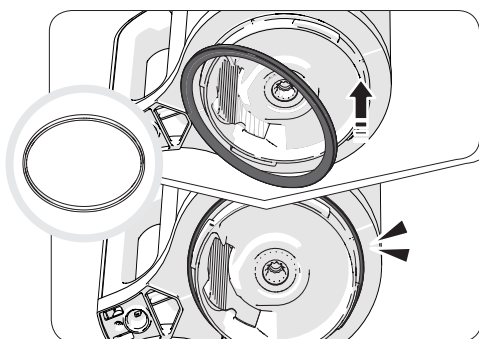
#### Demontáž

Podržte a vyjměte těsnění, jako byste jej tahali zpět.

#### Montáž

Po vyčištění vložte nejprve jednu stranu těsnění, jako byste jej chtěli zaháknout. Vložte zbývající část a stiskněte obvod.

### Těsnění zásobníku



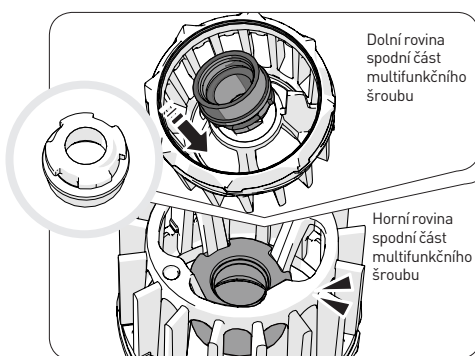
#### Demontáž

Podržte a vyjměte těsnění, jako byste jej tahali zpět.

#### Montáž

Po vyčištění vložte nejprve jednu stranu těsnění, jako byste jej chtěli zaháknout. Vložte zbývající část a stiskněte obvod.

### Těsnění šroubu

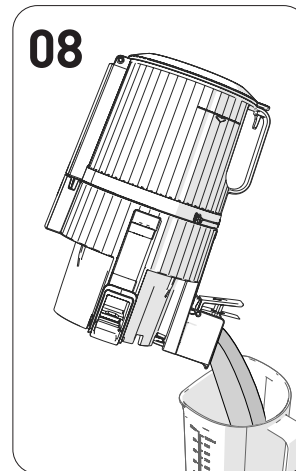
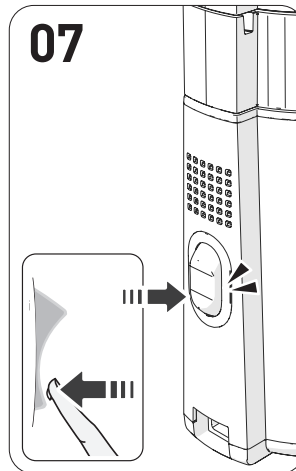
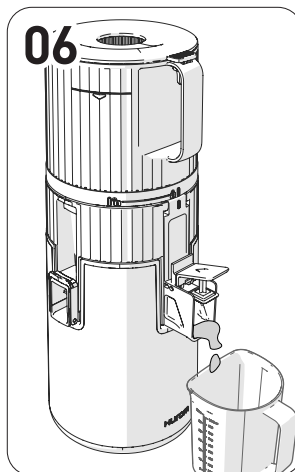
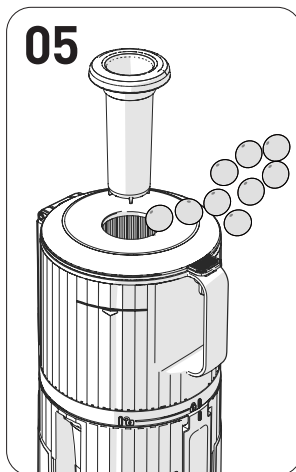
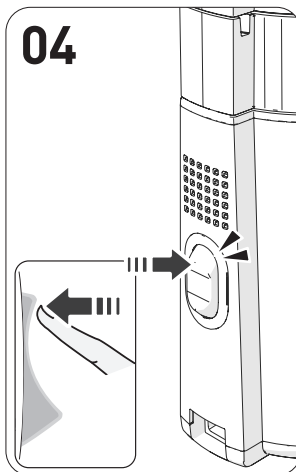
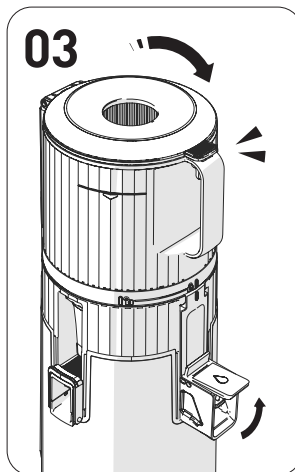
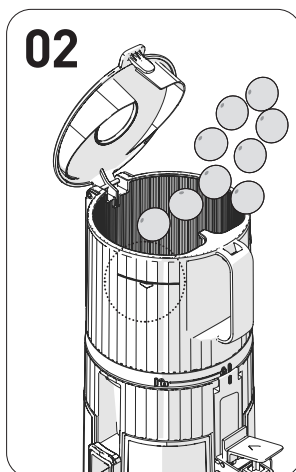
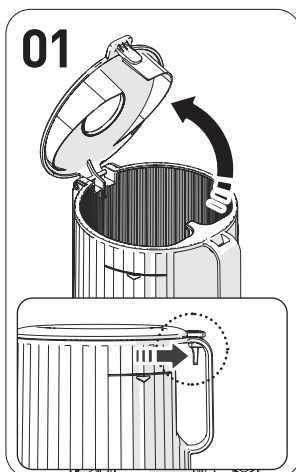


#### Demontáž

Pociągając jedną stroną, aby ją odtńczyć w dół.

#### Montáž

Po wyczyszczeniu, sprawdzić górny i dolny kierunek uszczelnienia i włożyć je do góry tak, jakby było zaczepiane o dolną część śruby multi. Po sprawdzeniu kierunku, dokładnie docisnąć pozostałą część uszczelnienia w dół, aby zamontować je bez zaginania odcinków.



**01 Otevřete kryt zásobníku.**

① Zatažením za páku krytu zásobníku jej otevřete. Vložení nadměrného množství ingrediencí může vyvinout silný tlak na výrobek.

**02 Ingredience přidávejte jen po mezní značku zásobníku.**

① U měkkých ingrediencí je pro extrakci smíchejte s jinými ingrediencemi.

**03 Zavřete kryt zásobníku a nechte uzávěr odšťavňovače otevřený.**

① Před stiskem tlačítka zapnutí nasadte nádobu odšťavňovače na místo.  
② Štáva může vytékat zpět do zásobníku, pokud je uzávěr odšťavňovače během extrakce zavřený. Pokud se štáva nevytéká ani po otevření uzávěru odšťavňovače, otevřete kryt zásobníku a obsah vyprázdněte.

**04 Krátkým stisknutím hlavního vypínače spotřebič pustíte.**

① „Cvaknutí“ během provozu spotřebiče je zvukem nastavené komory a motoru, které jsou zajištěny k sobě.

**05 Chcete-li přidat další ingredience během provozu, použijte přídatný vstup nebo otevřete kryt zásobníku.**

① Po otevření krytu zásobníku se provoz zastaví.  
② Nepoužívejte nic jiného než určené tlačné zařízení.  
③ V případě, že se multifunkční šroub otáčí, ale ingredience se v zásobníku během extrakce nepodaří rozemlít, zatlačte ingredience pomocí tlačného zařízení dolů.

**06 Nechte zařízení běžet ještě asi 1 minutu poté, co všechny ingredience spadnou do zásobníku.**

① Spotřebič pomalu lisuje a vymačkává ingredience, takže chvíli trvá, než se odšťavní poslední ingredience.  
② Odstranění zbývající dužiny dodatečným provozem stroje po extrakci usnadňuje odpojení zásobníku a čištění dílů.  
③ Dužinu lze snadno odstranit opakovaným zapínáním běžného a zpětného chodu

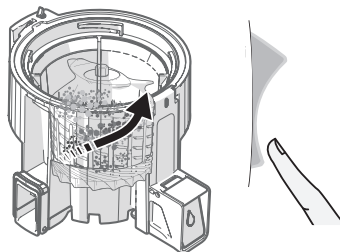
**07 Po dokončení odšťavňování a odstranění dužiny zastavte zařízení stisknutím hlavního vypínače.**

① Zařízení se zastaví 3 sekundy poté, co bylo vypnuto vypínačem.

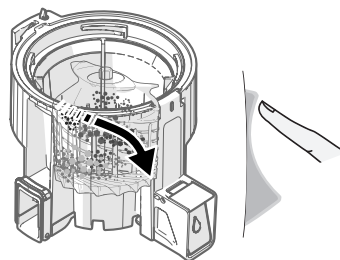
**08 Vylijte zbývající šťávu nakloněním komory dopředu.**

① U hustě koncentrované šťávy z rajčat apod. může šťáva stále zůstat v komoře.  
② Při odpojování komory může dužina odkapávat z těla výrobku v závislosti na odšťavňovaných ingrediencích.

01



02

**01 Stiskněte a podržte tlačítko [REV] po dobu 3 až 5 sekund a tlačítko 2 až 3krát uvolněte.**

Tlačítko [REV] zatlačí ingredience zpět nahoru, aby se uvolnily. Zpětné otáčení pokračuje pouze po stisknutí tlačítka, zatímco šroub se po uvolnění tlačítka zastaví.

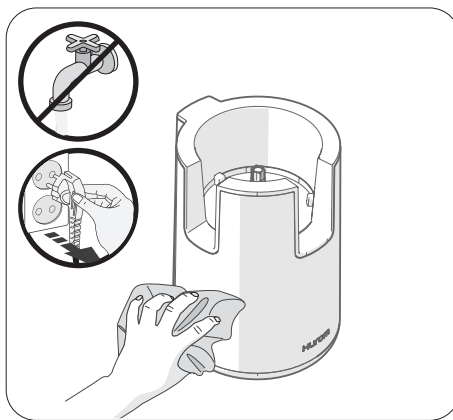
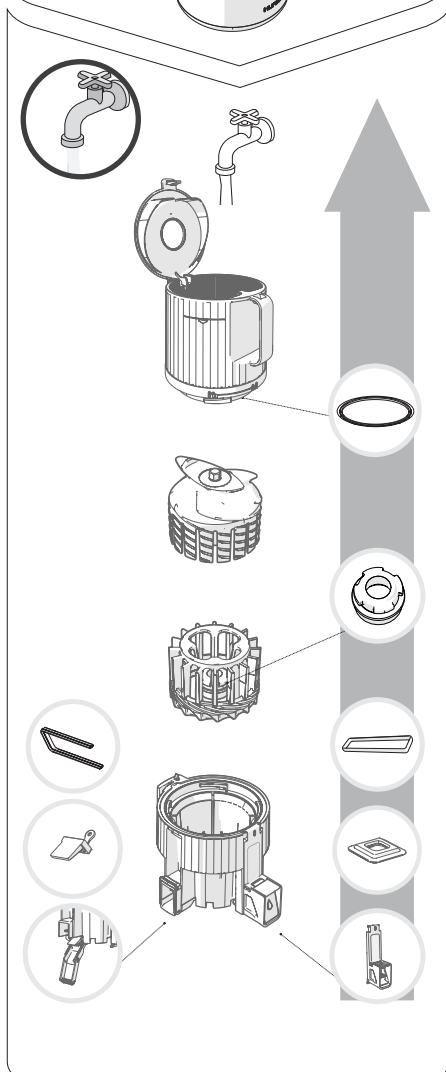
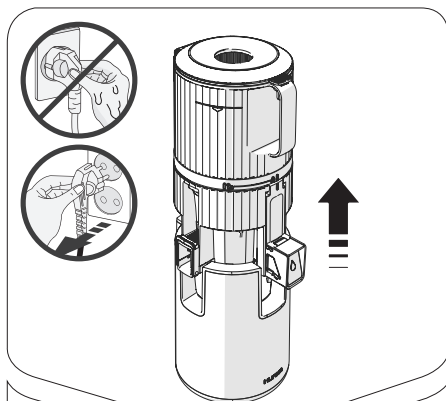
**02 Po úplném zastavení zpětného chodu stiskněte tlačítko [Zapnutí] pro spuštění.**

Když stisknete tlačítko [Zapnutí/Extrakce] nebo [REV / Zpětný chod], ujistěte se, že jej stisknete až poté, co se šroub úplně zastaví.

**Poznámka**

Pokud spotřebič nefunguje ani po provedení výše uvedených kroků, vytáhněte zástrčku napájecího kabelu ze zásuvky, odpojte sadu komory, vyperte ji a znovu použijte. Díky svým vlastnostem se motor nezastaví okamžitě, ale místo toho se bude pomalu otáčet ve směru provozu až do úplného zastavení.

## 102 10. Způsob demontáže a čištění



※ Po zastavení spotřebiče vytáhněte zástrčku napájecího kabelu suchými rukama. Motor uvnitř těla potřebuje několik sekund, aby se úplně zastavil, i když se provoz zastaví. Před odpojením sady komory počkejte asi 3 sekundy.

**01** Oddělte sadu komory od těla výrobku. Otočte zásobník, abyste jej otevřeli, a poté postupně vytáhněte každý díl za účelem rozebrání zásobníku.

**02** Díly omyjte čistícím kartáčkem pod tekoucí vodou.

**03** Otevřete kryt výstupu dužiny, kryt výstupu šťávy a uzávěr odšťavňovače a vyčistěte komoru.

**04** Otřete tělo výrobku vlhkým nebo měkkým hadříkem.

**05** Po použití silikonové těsnění oddělte a umyjte.  
– Zbytky mohou stále ulpívat.

(Těsnění zásobníku, Těsnění uzávěru odšťavňovače, Extrakční těsnění, Uzavírací těsnění, Těsnění šroubu, Těsnění krytu výstupu šťávy)

**06** Díly můžete sterilizovat tak, že je namočíte do teplé vody s jedlou sodou, kyselinou citronovou nebo octem.

※ Pokud výrobek nevyčistíte ihned po použití, může způsobit korozi jeho nerezových dílů a dalších dílů nebo jejich zabarvení v důsledku soli a dužiny z ingrediencí. Nečistoty mohou také vyschnout a uvíznout uvnitř, což ztěžuje rozebrání a čištění dílů a může také způsobit snížení výkonu. Bezpodmínečně jej ihned po použití vyčistěte a osušte na vzduchu a uložte na čisté místo. Pro dlouhodobé skladování použijte k mytí čistící kartáček. Nečistěte vroucí vodou nebo vodou vysoké teploty ani nepoužívejte čistící houbu, drátěnku, abraziva a jiné ostré čistící nástroje. Nevkládejte spotřebič do myčky nebo sušičky nádobí.

## 11. Než požádáte o opravu

Než požádáte o opravu, zkontrolujte následující. Pro následný servis a jakýkoli dotaz, který můžete mít při používání výrobku, kontaktujte naše servisní středisko, nebo navštivte náš web na adrese <http://www.globalhurom.com>. Zkontrolujte výrobní číslo nebo číslo pod čárovým kódem při požadavku na následný servis nebo díly.

103

<b>01. Když se produkt spustí, uslyšíte „cvaknutí“.</b>	Je to zvuk motoru, který se montuje pomocí multifunkčního šroubu. Nejedná se o závadu.
<b>02. Výrobek se nespouští pouze tělem výrobku.</b>	Zkontrolujte, zda jsou sada komory a tělo výrobku správně sestaveny. Výrobek nefunguje pouze s tělem výrobku. Před montáží nebo demontáží sady komory na tělo se ujistěte, že je vypnuto napájení.
<b>03. Zásobník a komora nejsou sestaveny.</b>	Zkontrolujte, zda jsou značky na stranách komory a zásobníku zarovnané a otočené ve směru hodinových ručiček pro montáž.
<b>04. Výrobek nefunguje.</b>	Zkontrolujte, zda je napájecí kabel správně zapojen. Více než 30 minut provozu může způsobit, že se výrobek na chvíli zastaví, dokud tělo výrobku (motor) dostatečně nevychladne. Znovu spotřebič zapněte o několik minut později.
<b>05. Při běžném provozu se zastaví.</b>	Zkontrolujte, zda je zásobník správně sestaven. Pokud je zásobník nesprávně sestaven, výrobek nebude fungovat. Bude fungovat pouze tehdy, když jsou symbol zámku na komoře a montážní značka zásobníku nastaveny tak, aby byly proti sobě. Zkontrolujte, zda je výrobek sestaven podle kroků uvedených v montážním návodu. Viz stránku průvodce montáží (strana 97). Zkontrolujte, zda není vloženo nadměrné množství ingrediencí nebo extrémně husté ingredience. Ruční aktivace zpětného chodu viz stranu 101 návodu. Z bezpečnostních důvodů je časovač nastaven tak, aby zastavil provoz po 5 minutách od spuštění. Opětovným stisknutím spínače obnovíte provoz.
<b>06. Na boční nebo horní straně multifunkčního šroubu jsou značky, které vypadají jako škrábance.</b>	Na povrchu šroubů se mohou během procesu tváření vytvořit některé zakřivené nebo lemované značky formy, což je normální a nemá to žádný vliv na provoz.
<b>07. Štáva vytéká výstupem dužiny ihned po vložení ingrediencí.</b>	V závislosti na vložených ingrediencích může výstupem dužiny unikat malé množství šťávy. Nejedná se o vadu výrobku, ale spíše o jev způsobený vlastnostmi ingrediencí. Únik se zastaví, jakmile se výrobek rozběhne. Pokud netěsnost přetrvává, kontaktujte servisní středisko.
<b>08. Štáva teče zpět do zásobníku.</b>	Neextrahujete šťávu se zavřeným uzávěrem odšťavňovače? Při odšťavňování se zavřeným uzávěrem odšťavňovače může šťáva vytékat zpět do zásobníku. Pokud obsah není dostatečně vyprázdněn ani po opětovném otevření uzávěru odšťavňovače, otevřete kryt zásobníku a obsah vyprázdněte.
<b>09. Štáva uniká mezi zásobníkem a komorou nebo mezi komorou a tělem výrobku.</b>	Je těsnění zásobníku nebo těsnění šroubu správně sestaveno? Štáva vyteče, pokud je těsnění zásobníku nebo těsnění šroubu sestaveno obráceně nebo neúplně. Zkontrolujte, zda je těsnění správně sestaveno.
<b>10. Zásobník se neotevívá.</b>	Uvnitř může zůstat nadměrné množství dužiny. Chvilí zařízení provozujte, aby se dužina uvnitř vyprázdnila. Nebo opakujte stisknutí tlačítka zpětného chodu po dobu 10 sekund a jeho uvolnění 2 až 3krát. Poté se zásobník bez problémů otevře. Nebyly vloženy nějaké cizorodé látky nebo pevné látky (tvrdá semena jako semena tomelu)? Pokud jsou vloženy cizí látky nebo pevné látky, mohou být díly při pokusu o zpětný chod vážněji poškozeny, proto kontaktujte servisní středisko a požádejte o poprodejní servis.
<b>11. Komora se třese (při odšťavňování).</b>	Výrobek se může mírně viklat v důsledku pohybů jeho motoru. V závislosti na vlastnostech ingrediencí (tvrdé nebo houževnaté) jsou generovány pohyby různých rozsahů. Nejedná se o závadu, ale spíše o normální jev pozorovaný při otáčení multifunkčního šroubu. Ve srovnání s měkkými ingrediencemi s velkým obsahem vody se může zdát, že relativně tvrdší ingredience způsobují větší chvění (např. mrkev, brambory, ředkvičky, řepa, kedlubny atd.)
<b>12. Při odšťavňování je slyšet neobvyklý zvuk.</b>	Je přirozené, že při drcení ingrediencí dochází k určitému hluku. Pokud jsou ingredience tvrdé nebo tvrdé, jako např. jablka, mrkev, zelí, celer, řepa atd., může být hluk při extrakci hlasitější ve srovnání se zvuky odšťavňování měkkých ingrediencí.



# HUROM

**MADE IN KOREA | [www.globalhurom.com](http://www.globalhurom.com)**

Copyright© All Rights Reserved by HUROM

4DC011022\_V.03