

DRIVEN

by BATTAT[®]

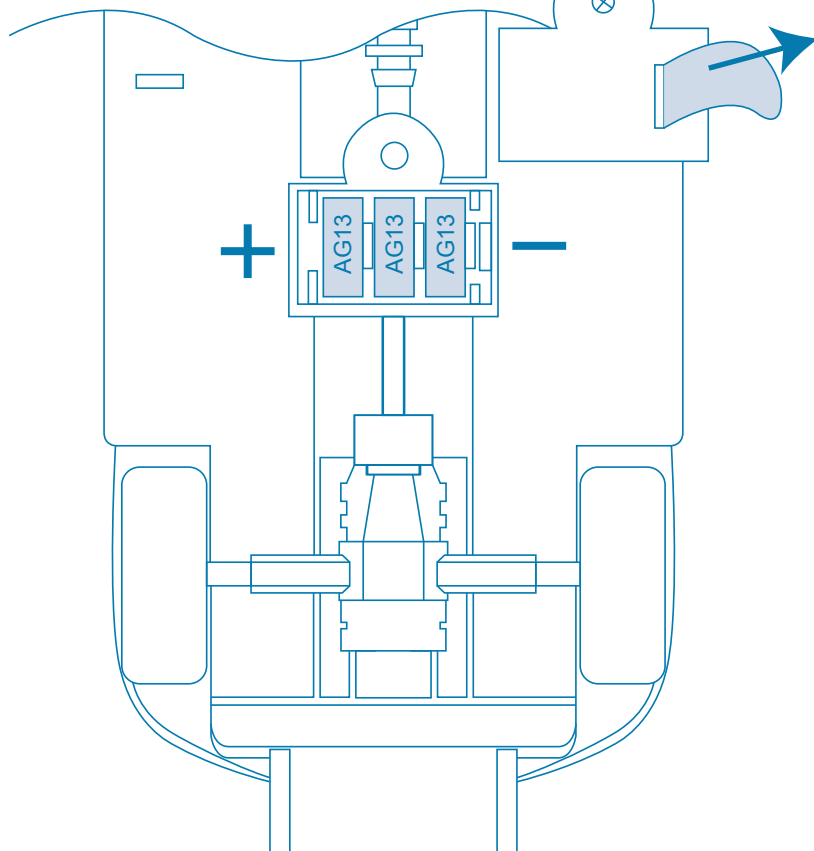
MICRO SERIES / SÉRIE MICRO POLICE SUV / POLICE VUS

REPLACING BATTERIES
REEMPLACEMENT DE PILES
BATTERIEN AUSWECHSELN
CAMBIO DE PILAS
SOSTITUZIONE BATTERIE

(Fig 1)

Close
En arrêt
Schließen
Cerrado
Spento

Open
En marche
Öffnen
Encendido
Acceso



(EN): Before first use:

1. Pull out insulation tag as (Fig 1)
2. Press on roof for lights and sounds. (Fig 2)

(FR): Lors du premier usage:

1. Retirez la languette comme dans la (Fig 1)
2. Appuyez sur le toit pour sons et lumières. (Fig 2)

(DE): Vor dem ersten Spielen:

1. Isolierstreifen wie in Abb. (Fig 1)
2. Drücken Sie auf dem Dach für Lichter und Klänge. (Fig 2)

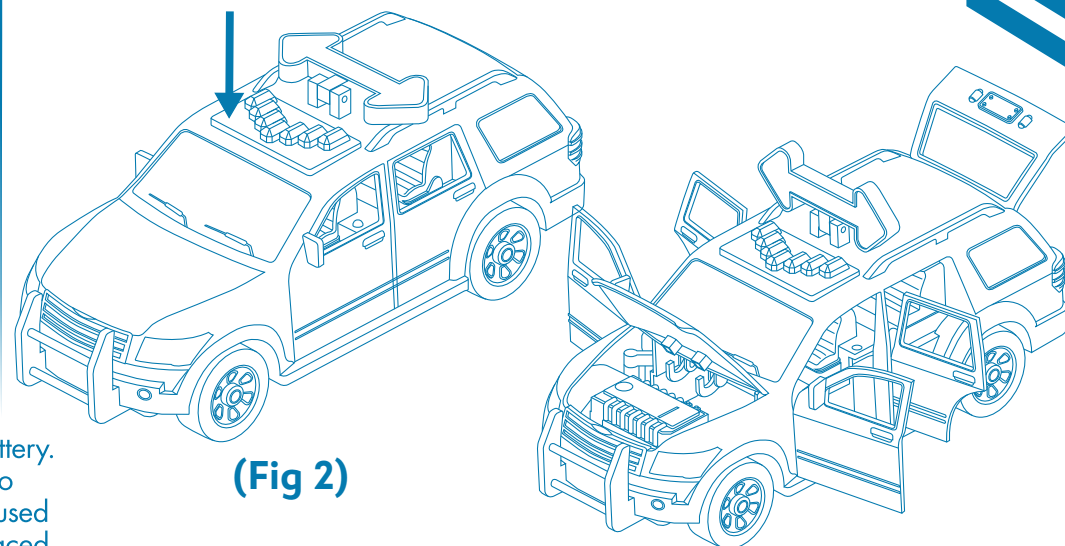
(ES): Jugando por primera vez:

1. Retira el marbete aislante como en la (Fig. 1)
2. Presionar en el techo de luces y sonidos. (Fig 2)

(IT): Giocando per la prima volta:

1. Estrai il cartellino di isolamento come nella (Fig 1)
2. Premere sul tetto per luci e suoni. (Fig 2)

3+
YEARS,
ANS, JAHRE,
AÑOS, ANNI



(Fig 2)

WH1209/WH1209Z/WH1127/WH1127Z



WARNING: This product contains Button or Coin Cell Battery.

A swallowed Button or Coin Cell Battery can cause internal chemical burns leading to death in as little as two hours. Dispose of used batteries immediately. Keep new and used batteries away from children. If you think batteries might have been swallowed or placed inside any part of the body, seek immediate medical attention.



WARNING:
CHOKING HAZARD—Small parts.
Not for children under 3 years.



AVERTISSEMENT:
RISQUE DE SUFFOCATION—Petites pièces.
Ce produit n'est pas recommandé pour les enfants
de 3 ans et moins.



CE

UK
CA

