

STAR WARS™



WARNING:

CHOKING HAZARD—Small parts.
Not for children under 3 years.

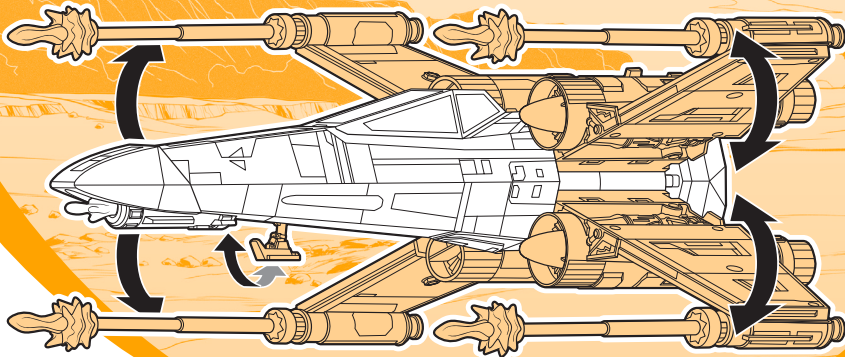
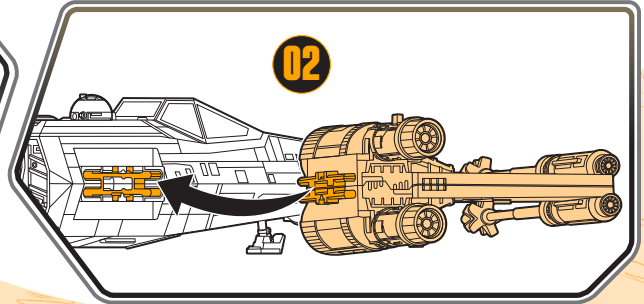
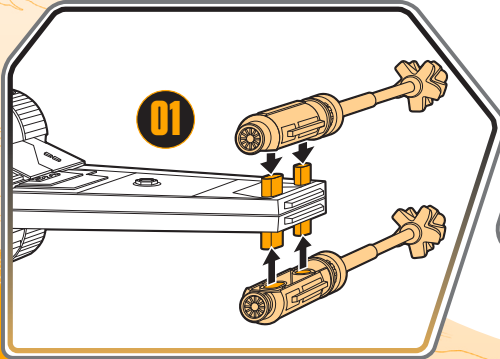


ATTENTION :

DANGER D'ÉTOUFFEMENT – Petites pièces. Ne convient pas aux enfants de moins de 3 ans.

en Assembly required. tr Assemblage requis. de Zusammenbau erforderlich. es Requiere montaje. it Requiere montaggio. fr Da monter. nl Moet in elkaar worden gezet. sv Montering krävs. da Skal samles. no Må monteres. fi Vaatii kokoamista. el Απαιτείται συναρμολόγηση. pl Wymaga montażu. hu Összeszerelés szükséges. tr Monte edilimesi gerekir. cs Vyžaduje sestavení. sk Vyžaduje sa montáž. ro Necesită asamblare. bg Необходимо е събиране. hr Potrebno je sastavljanje. lt Reikia surinkti. sl Igračo je treba sestaviti. uk Необхідно зібрати. et Nõutav on kokkupanemine. lv Nepieciešama montāža.

يتطلب التجميع. (ar)



4+

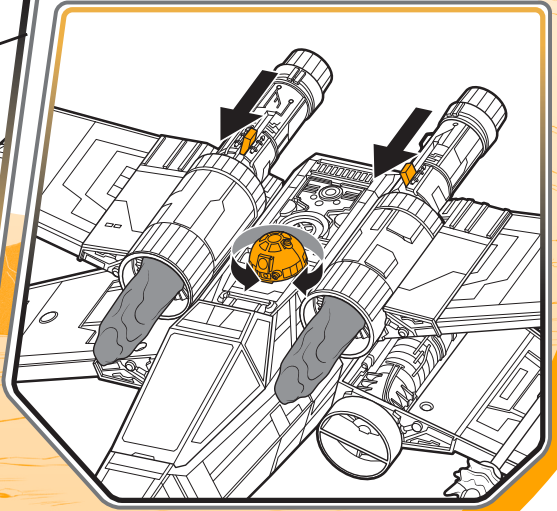
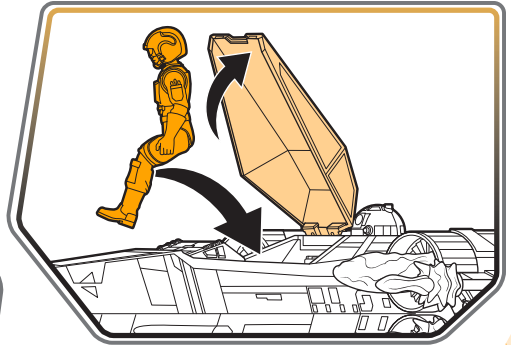
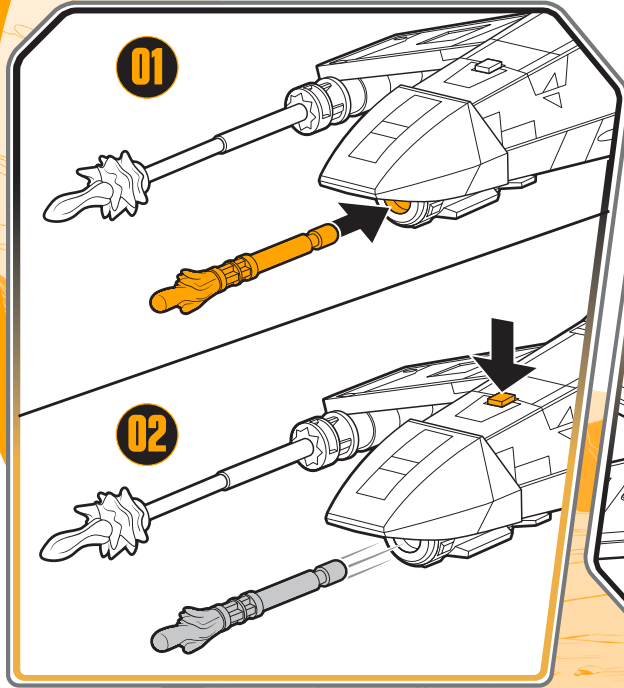
Disney

Hasbro

LUKE SKYWALKER'S FORCE STRIKE X-WING™

CREATIVE DEVELOPMENT STUDIOS // CREATIVE COMMUNICATIONS							
NAME	Kate Adams	FLAT SIZE / SPREAD	5.875 X 6.125 in	FOLDS	NONE	NOTES	5L
EMAIL	kate.adams@hasbro.com	TRIM SIZE (PDP)	5.875 X 6.125 in	COLORS	2C : K +137C		

STAR WARS™



© & ™ Lucasfilm Ltd. HASBRO and all related trademarks and logos are trademarks of Hasbro, Inc. © 2025 Hasbro.

Hasbro, Pawtucket, RI 02861-1059 USA. HASBRO CANADA, LONGUEUIL, QC, CANADA J4G 1G2. US/CANADA TEL. 1-800-255-5516. Importado por: HASBRO DE MÉXICO, S. DE R.L. DE C.V. Calle Montes Urales #424, Oficina 01A-137C, Colonia Lomas de Chapultepec II Sección, Alcaldía Miguel Hidalgo, C.P. T1000, Ciudad de México, México. RFC: HME910724IM5. Centro de Servicio para México: TEL. 55-5876-2998 y para el interior de la República TEL. 800-712-62-25. Manufactured by/Produced by: Hasbro SA, Rue Emile-Boéchat 31, 2800 Delémont, CH. eproductcompliance@hasbro.com Represented by/Reprezentat de: Hasbro, De Entree 240, 1101 EE Amsterdam, NL. © Hasbro UK Ltd., P.O. Box 43, Newport, NP19 4YH, UK. © Üretici Firma Bilgileri: Hasbro SA, Rue Emile-Boéchat 31, 2800 Delémont İsviçre TEL +41 324210800. Hasbro Oyuncak San. ve Tic. A.Ş. tarafından ithal edilmiştir. Tüketicî Hizmetleri: Burhaniye Mah. Abdullahaga Cad. No:51/2 34676 Beylerbeyi İstanbul Türkiye TEL +90 2164229010.



G0768 | PNO0095201

CREATIVE DEVELOPMENT STUDIOS // CREATIVE COMMUNICATIONS

NAME	Kate Adams	FLAT SIZE / SPREAD	5.875 X 6.125 in	FOLDS	NONE	NOTES	5L
EMAIL	kate.adams@hasbro.com	TRIM SIZE (PDP)	5.875 X 6.125 in	COLORS	2C: K +137C		